

# AUTO-HAK Sp. z o.o.

ul. Słoneczna 16K 76-200 SŁUPSK  
POLAND

tel/fax +48 59 8 414 414; +48 59 8 414 413

e-mail: [office@autohak.com.pl](mailto:office@autohak.com.pl)

[www.autohak.com.pl](http://www.autohak.com.pl)



# AUTO-HAK

## SUBARU OUTBACK

Nr kat.

SU49



01.2015 → 03.2021



E20-55R-01 4551



10,52 kN



R=2000 kg



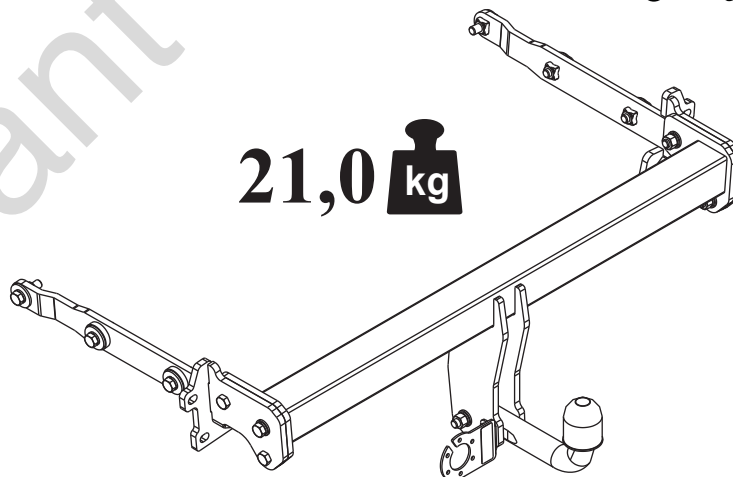
S=90 kg



2h



21,0 kg



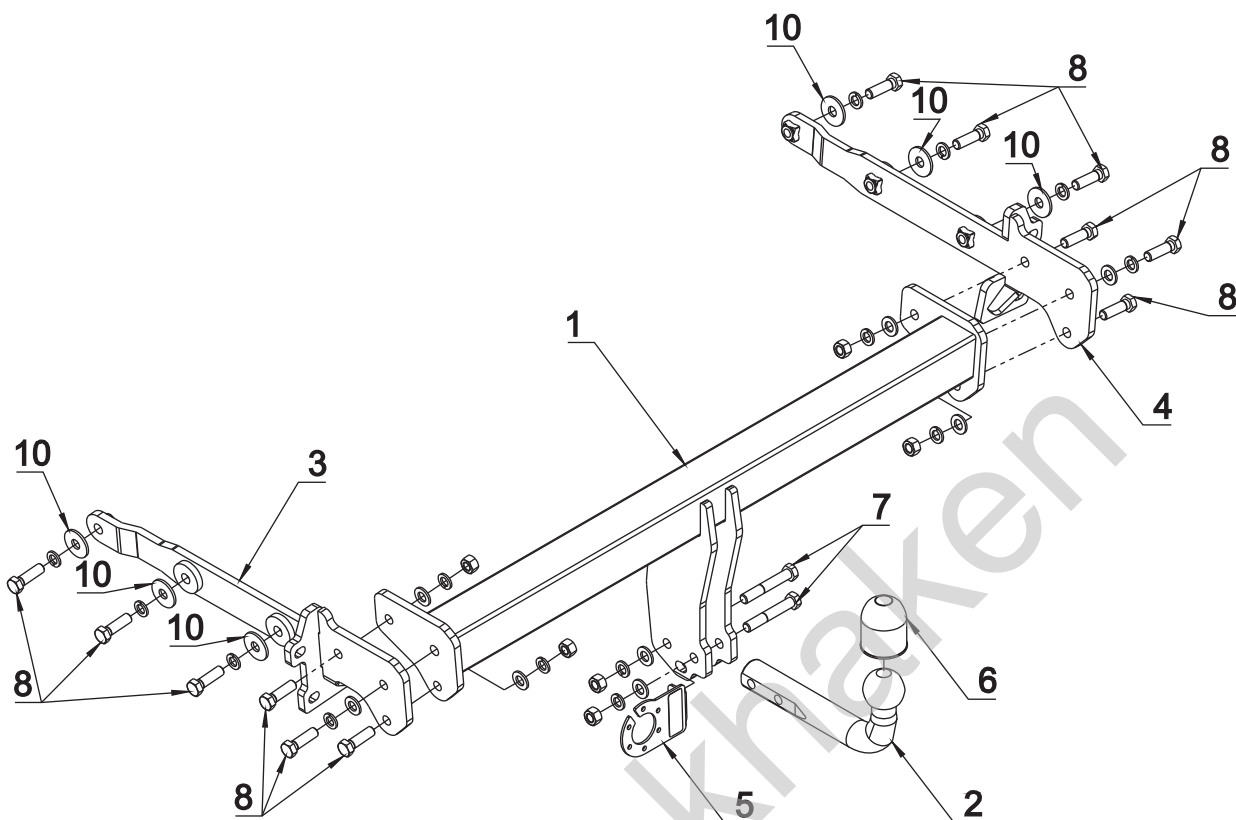
śruba	Nm	M6	M8	M10	M12	M14	M16
klasa 8.8		9,9	24	48	83	132	200
klasa 10.9		14	34	67	117	185	285

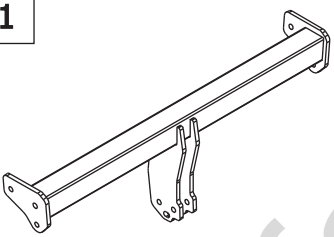



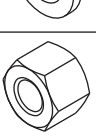


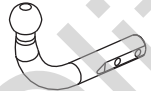
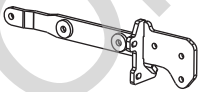
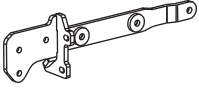
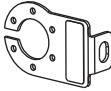



0 km →

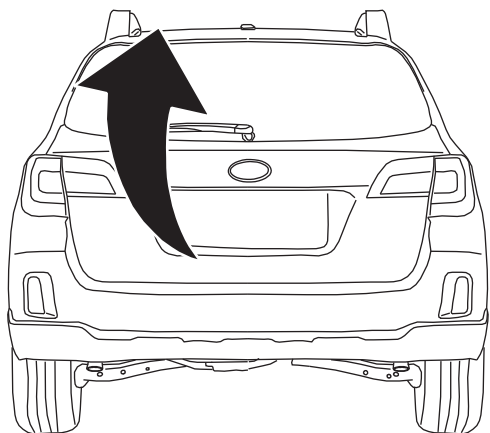


1000 km

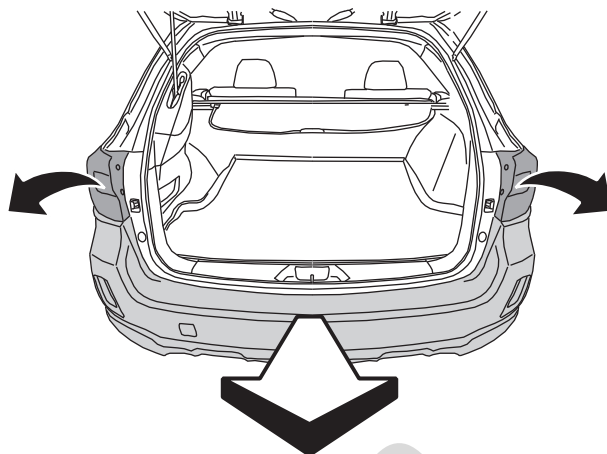


	<b>x 1</b>		<b>7</b> M12x75	<b>x 2</b>				
				<b>8</b> M12x40	<b>x 12</b>			
					<b>9</b> $\varnothing$ 13	<b>x 8</b>		
						<b>10</b> $\varnothing$ 37x $\varnothing$ 13x3 13 (DIN 9021)	<b>x 6</b>	
							<b>11</b> $\varnothing$ 12.2	<b>x 14</b>
								<b>12</b> M12
	<b>x 1</b> Art.nr-KL1SU49							
	<b>x 1</b>							
	<b>x 1</b>							
	<b>x 1</b> Art.nr-BL1SU49							
	<b>x 1</b>							

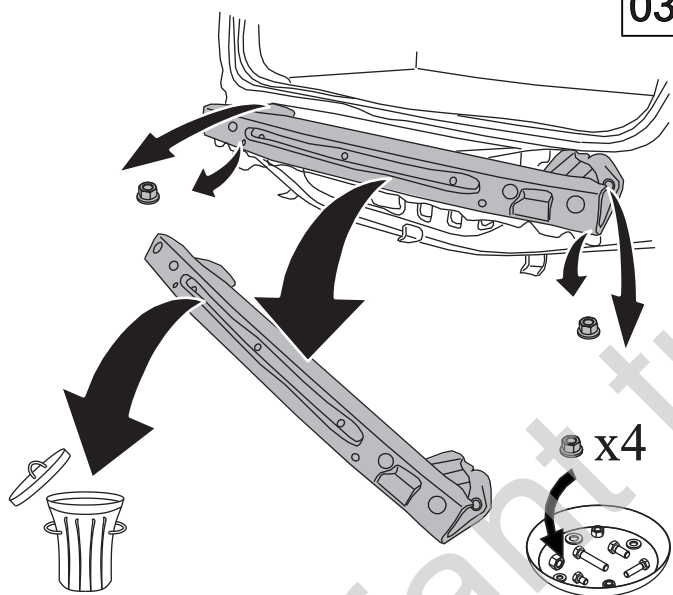
01



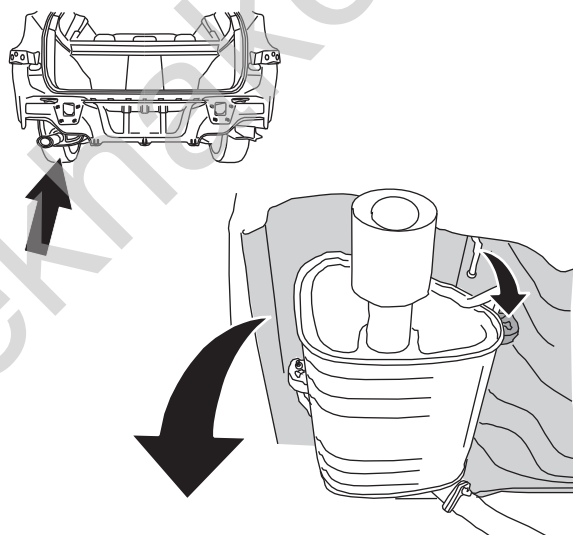
02



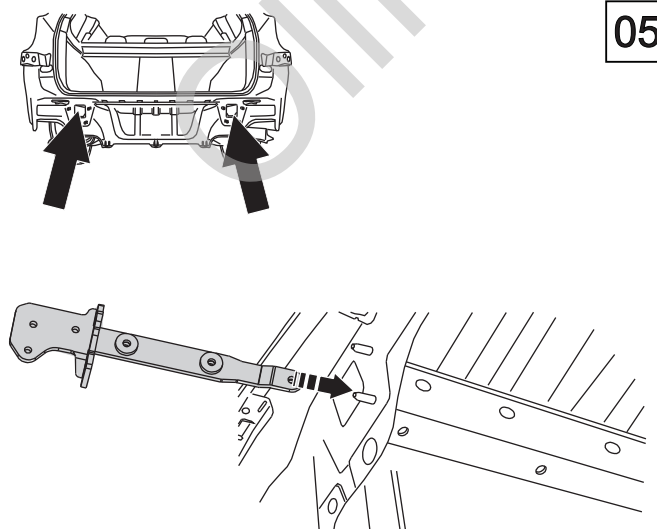
03



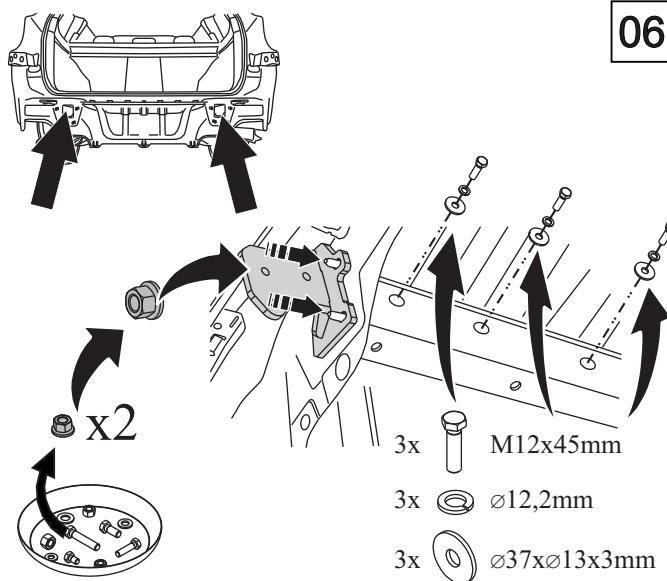
04



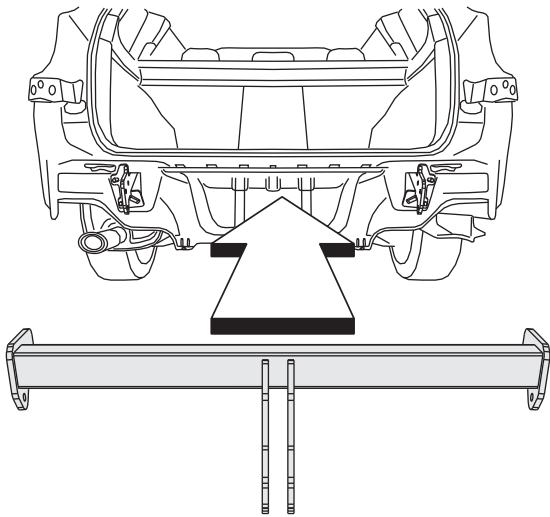
05



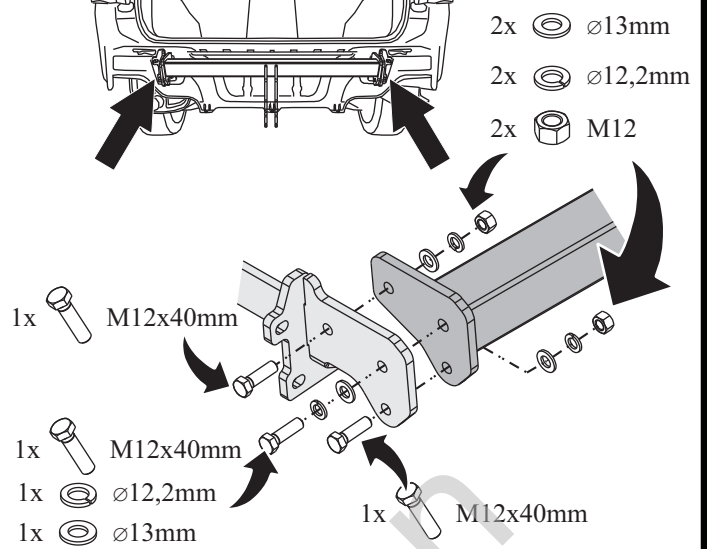
06



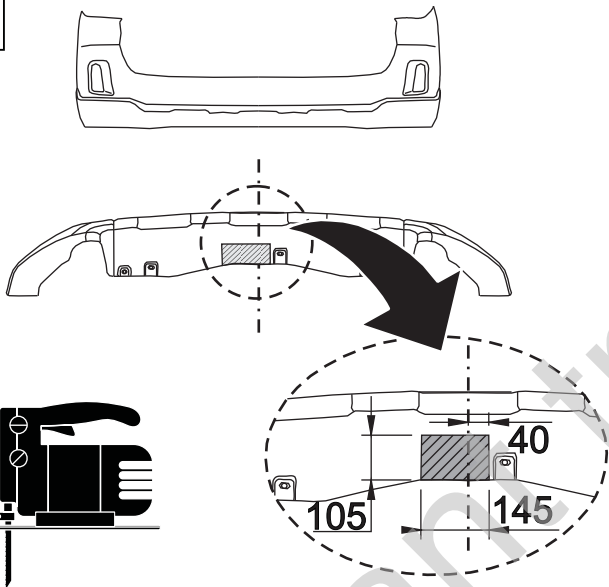
07



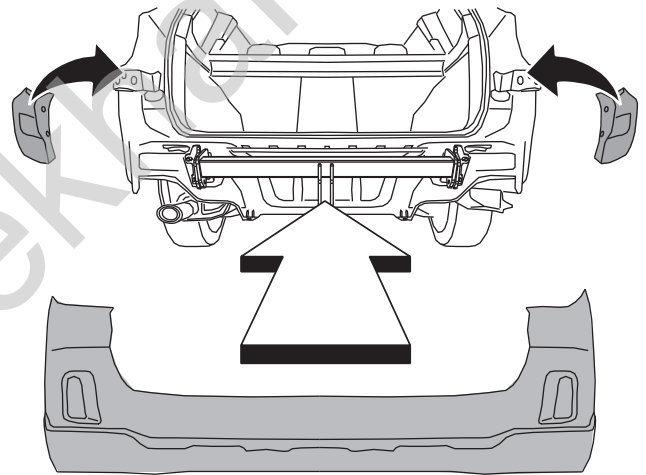
08



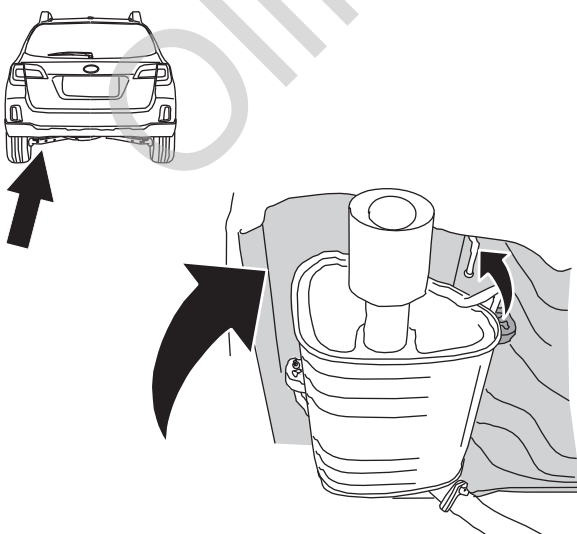
09



10



11



12

