

PPUH AUTO-HAK Sp.J.

Henryk i Zbigniew Nejman
ul. Słoneczna 16K 76-200 SŁUPSK
POLAND

tel/fax +48 59 8 414 414; +48 59 8 414 413

e-mail: office@autohak.com.pl

www.autohak.com.pl



AUTO-HAK



SUBARU OUTBACK KOMBI

Cat. no:

SU46A



09.2009 → 12.2014

e20

e20*94/20*1424*00



2h

D

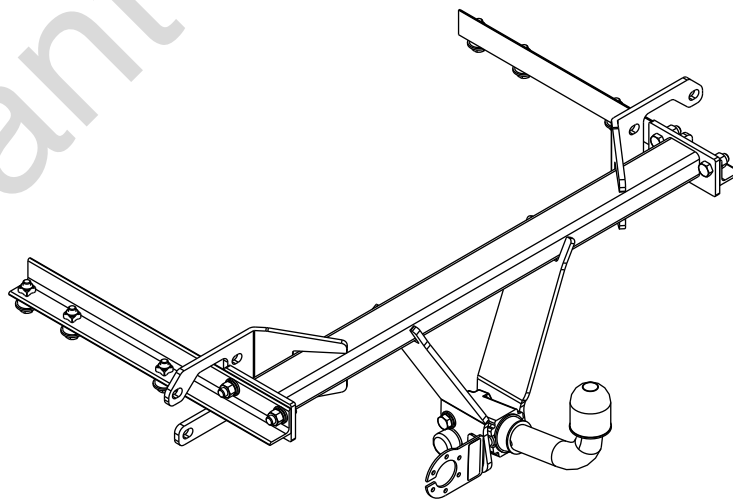
10,05 kN



R=2000 kg



S=85 kg



M6 - 11 Nm
M10 - 50 Nm
M14 - 138 Nm

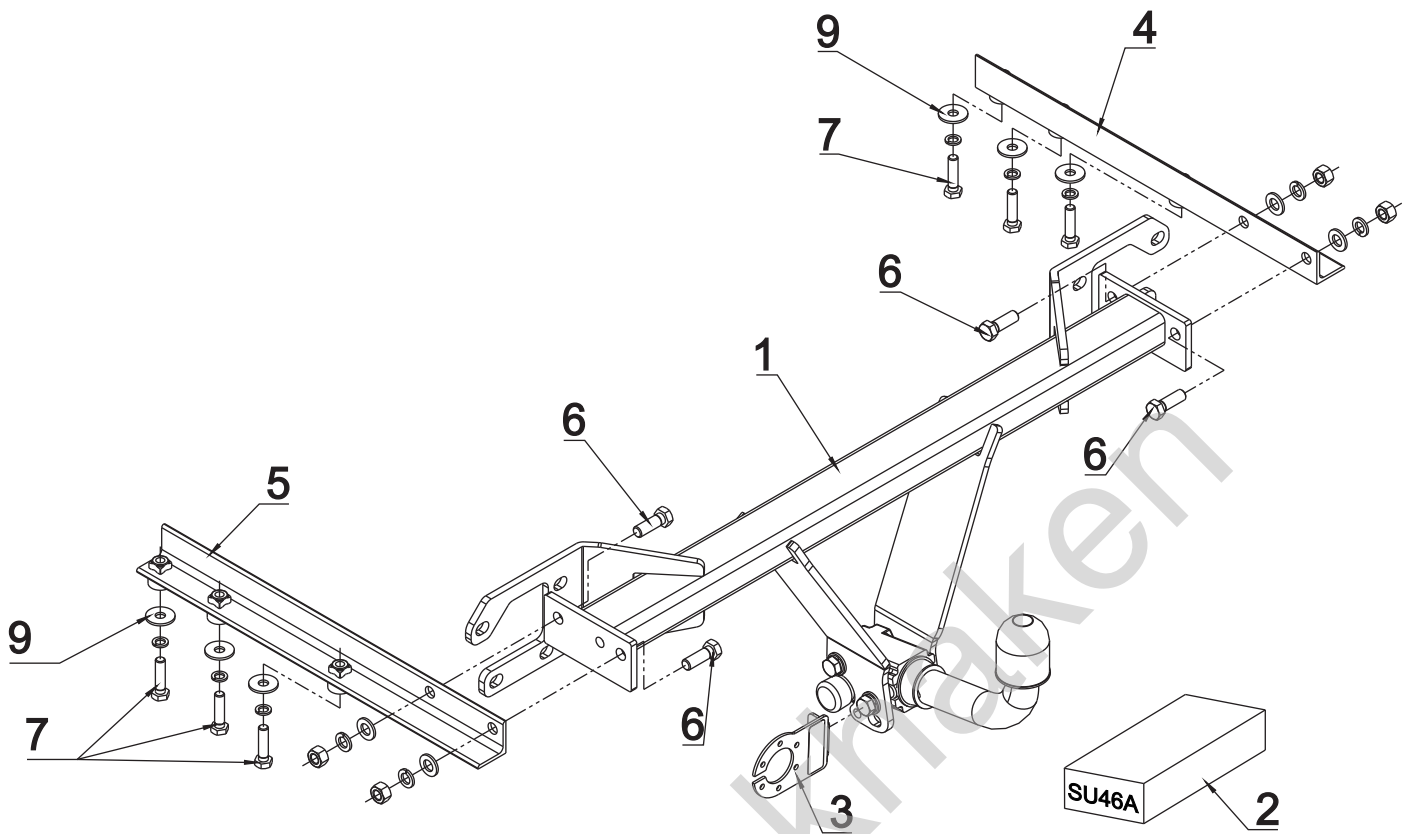
M8 - 25 Nm
M12 - 87 Nm
M16 - 210 Nm

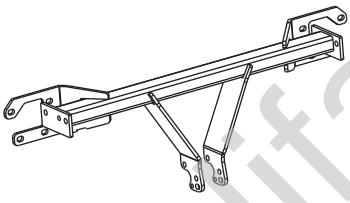
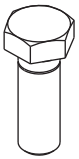
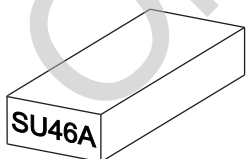

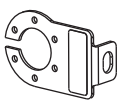

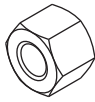


0 km →



1000 km



1 	x1		6 M12x35	x4
			7 M10x40	x6
2 	x1		8 \varnothing 13	x4
			9 \varnothing 30x \varnothing 10.5x2.5 10 (DIN 9021)	x6
3 	x1		10 \varnothing 12.2	x4
			11 \varnothing 10.2	x6
			12 M12	x4
	Art.nr-KL1SU46A			
4	x1			
5	x1			

