

PPUH AUTO-HAK Sp.J.

Henryk i Zbigniew Nejman
ul. Słoneczna 16K 76-200 SŁUPSK
POLAND

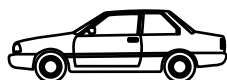
tel/fax +48 59 8 414 414; +48 59 8 414 413

e-mail: office@autohak.com.pl

www.autohak.com.pl



AUTO-HAK



SUBARU OUTBACK KOMBI

Cat. no:

SU46



09.2009 → 12.2014

e20

e20*94/20*1423*00

D

10,05 kN



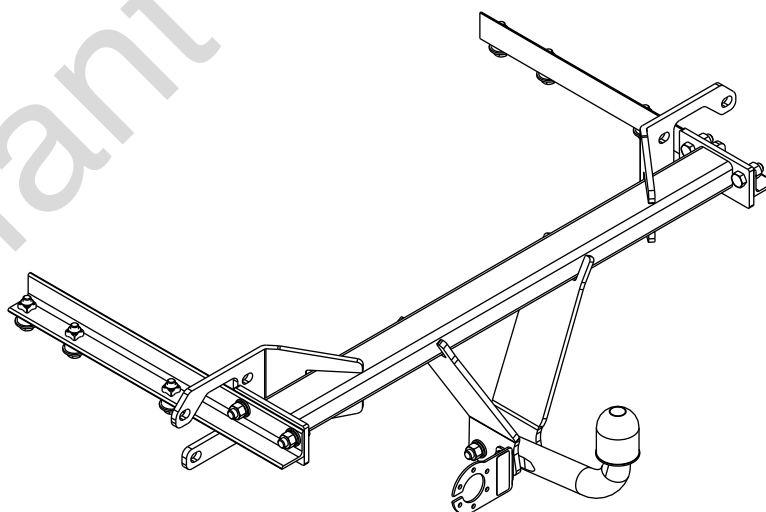
R=2000 kg



S=85 kg



2h



M6 - 11 Nm
M10 - 50 Nm
M14 - 138 Nm

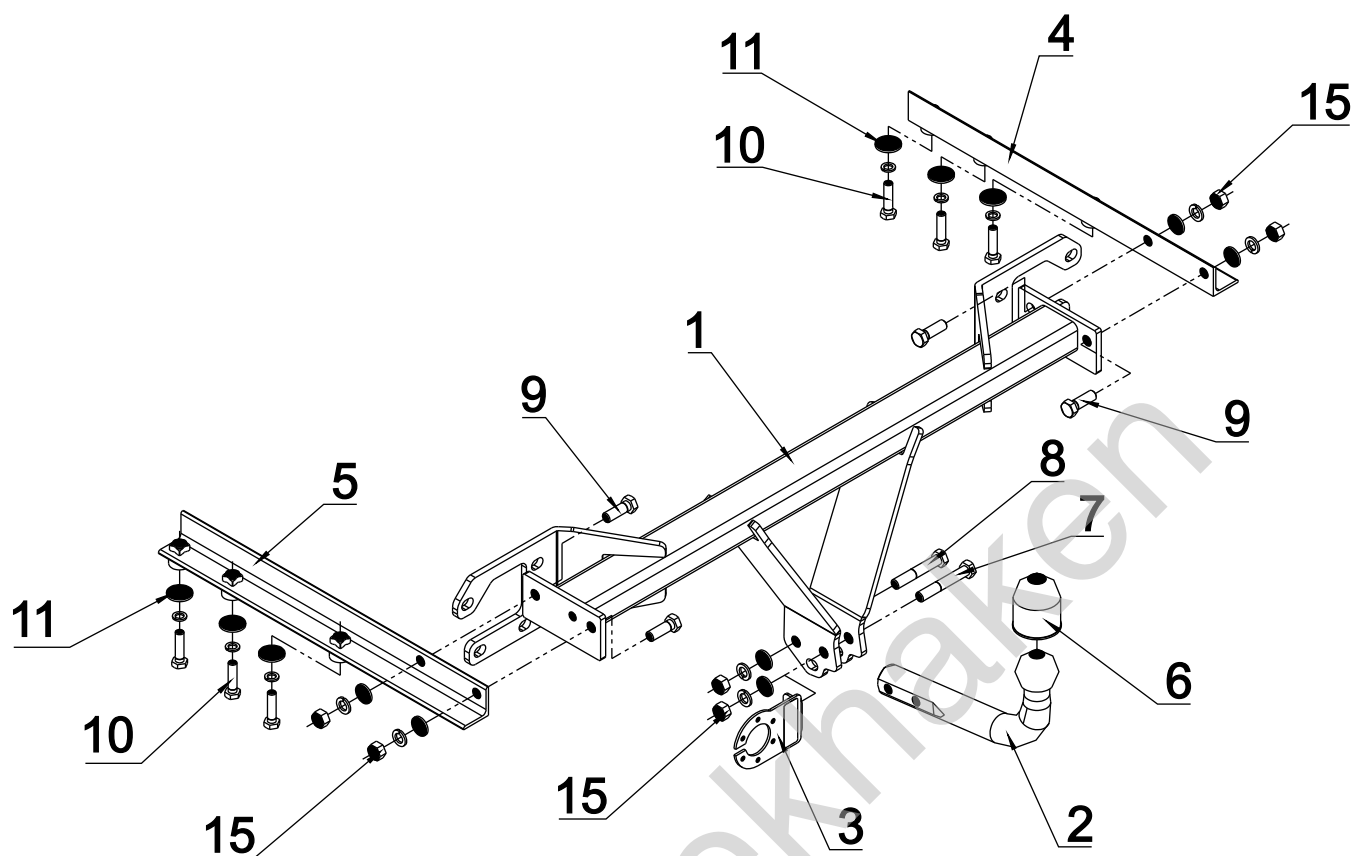
M8 - 25 Nm
M12 - 87 Nm
M16 - 210 Nm

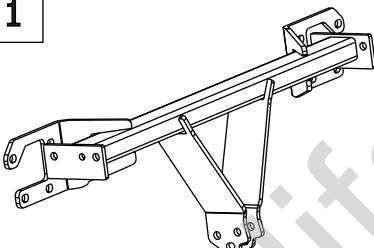



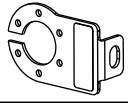


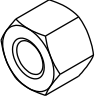
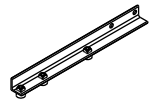



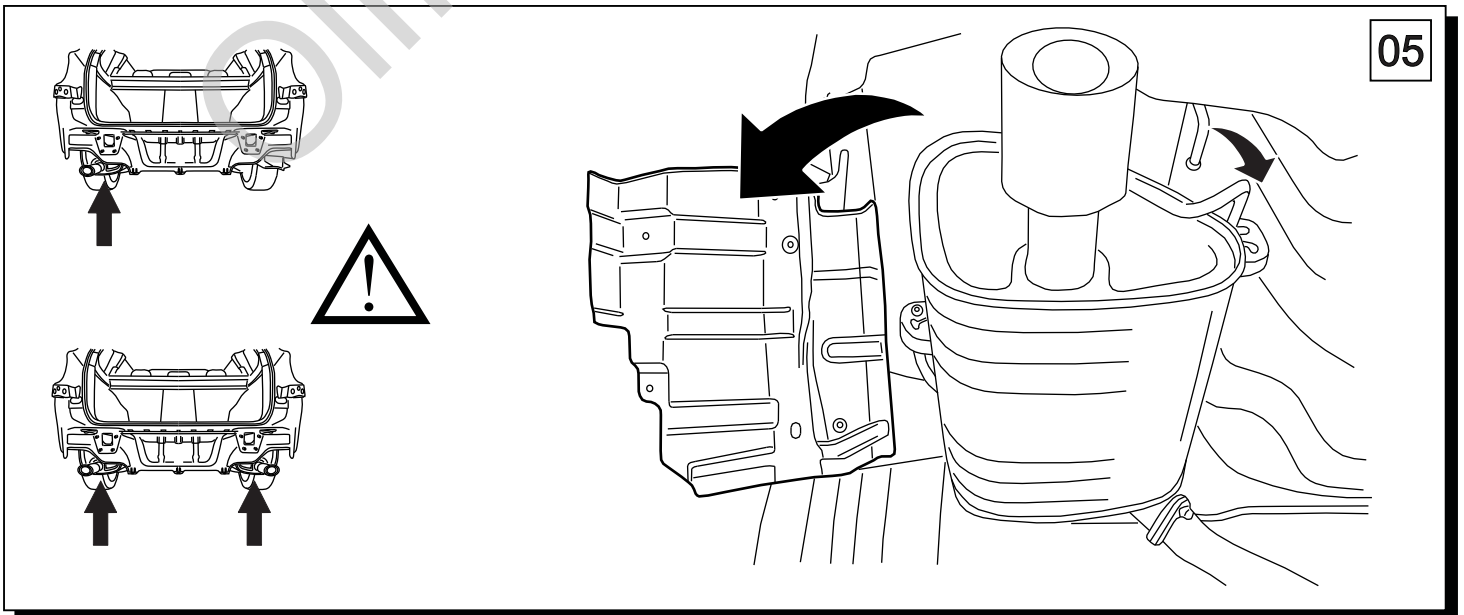
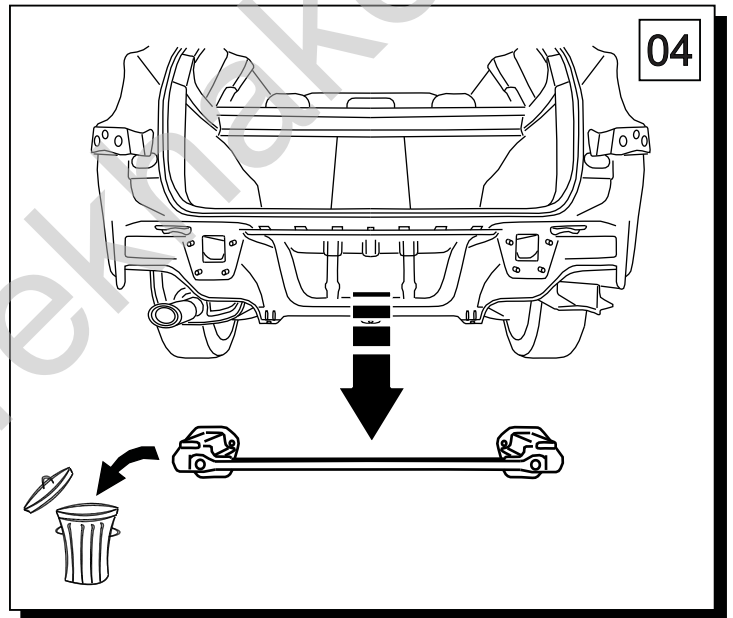
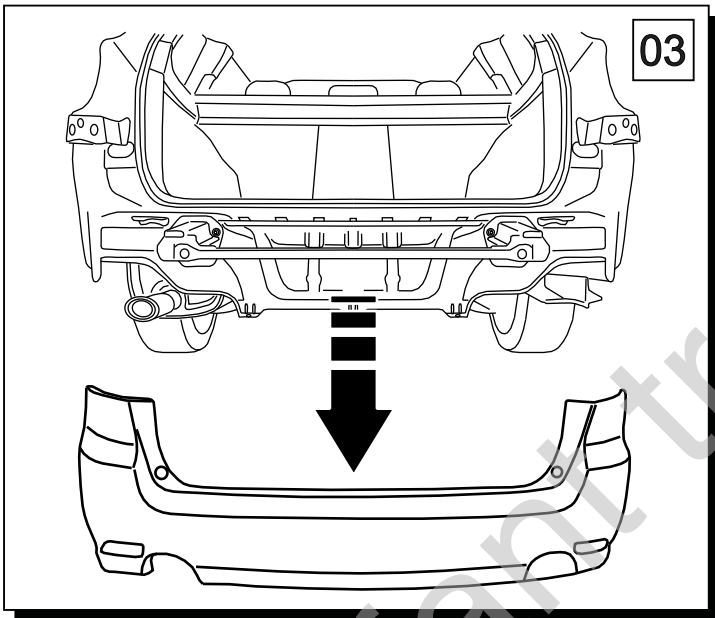
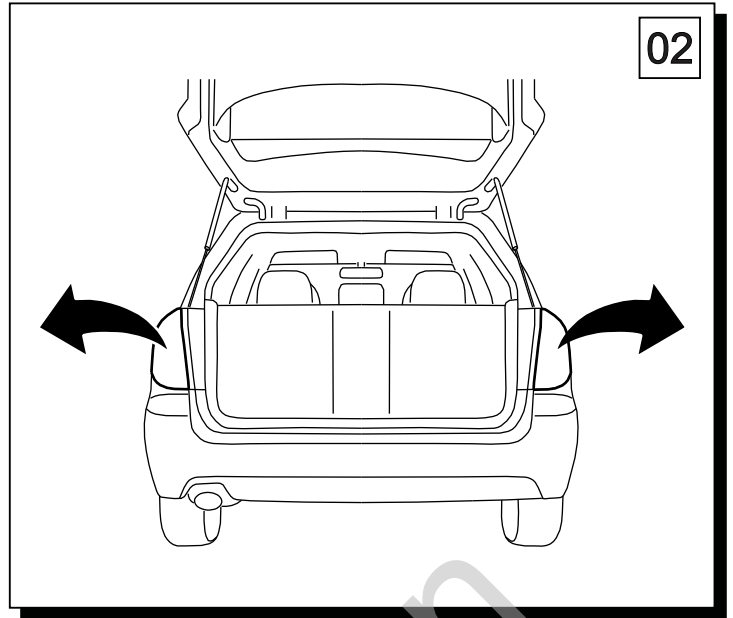
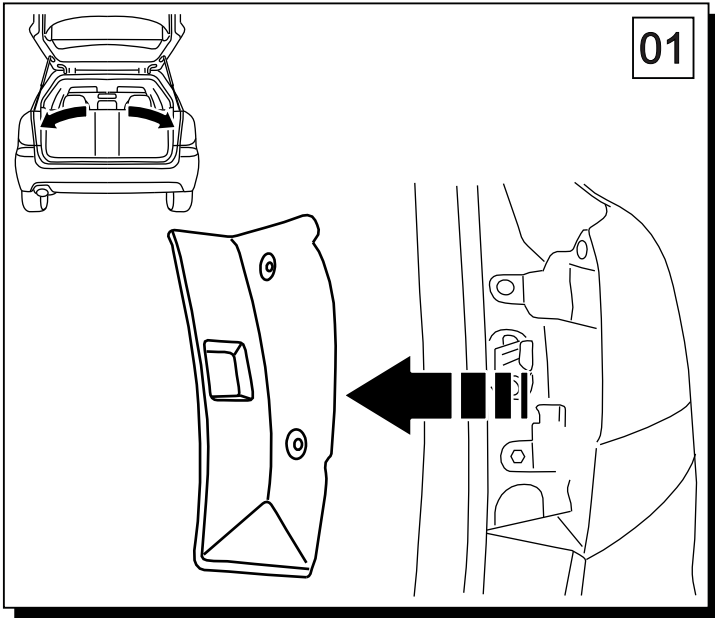
0 km →

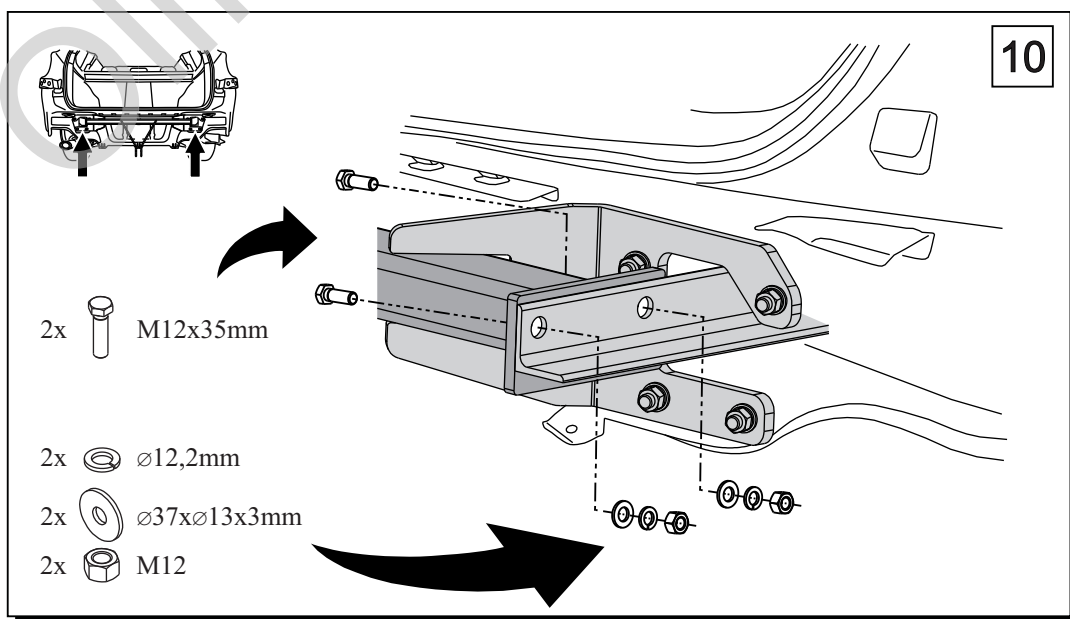
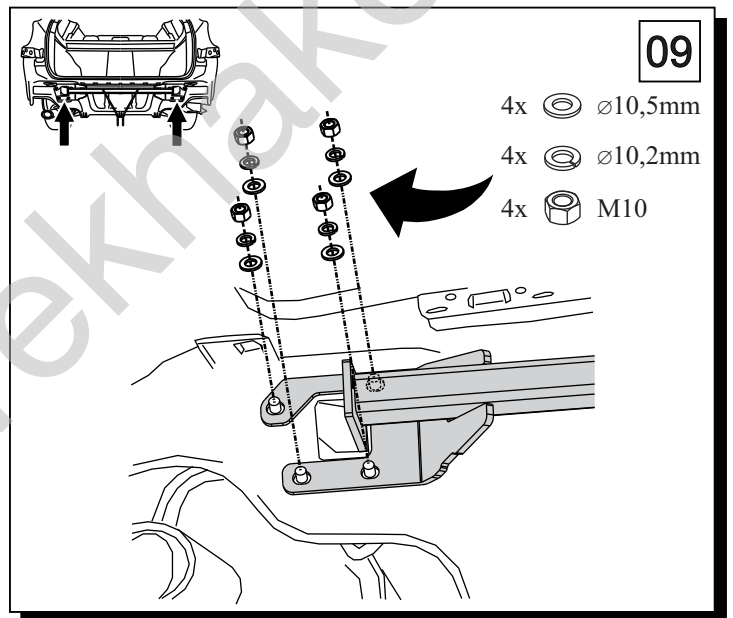
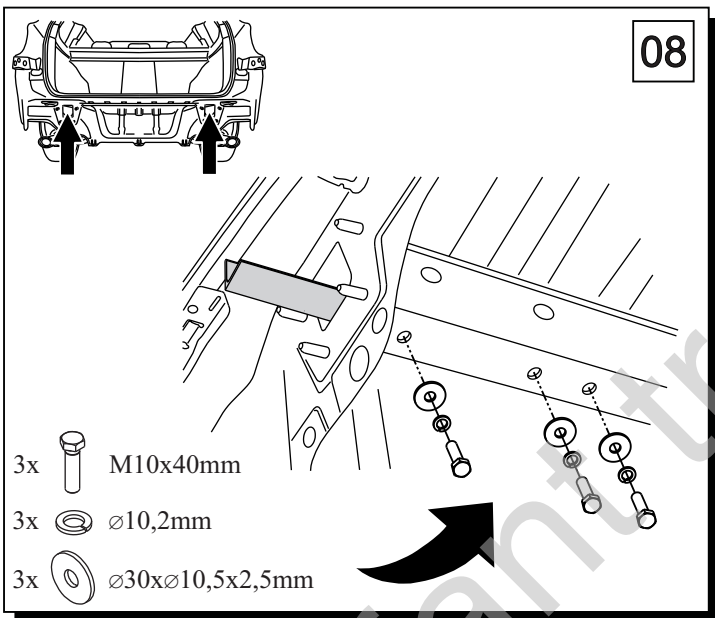
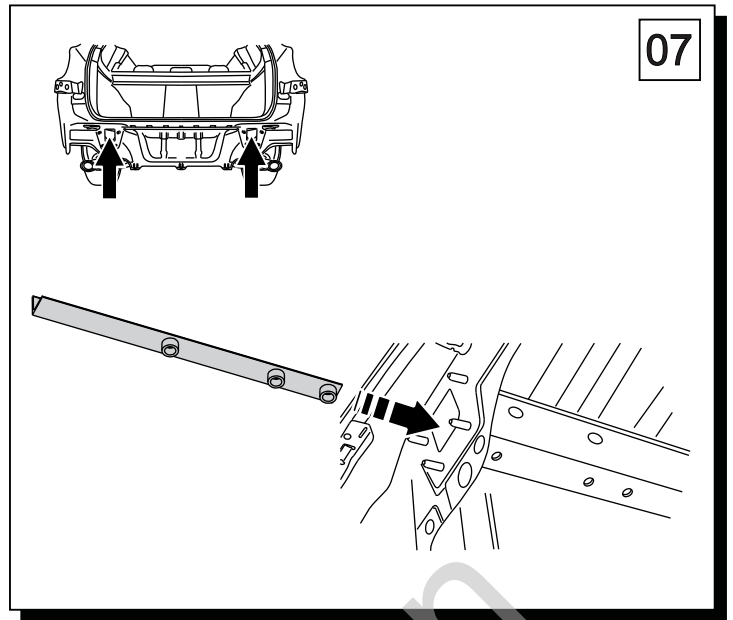
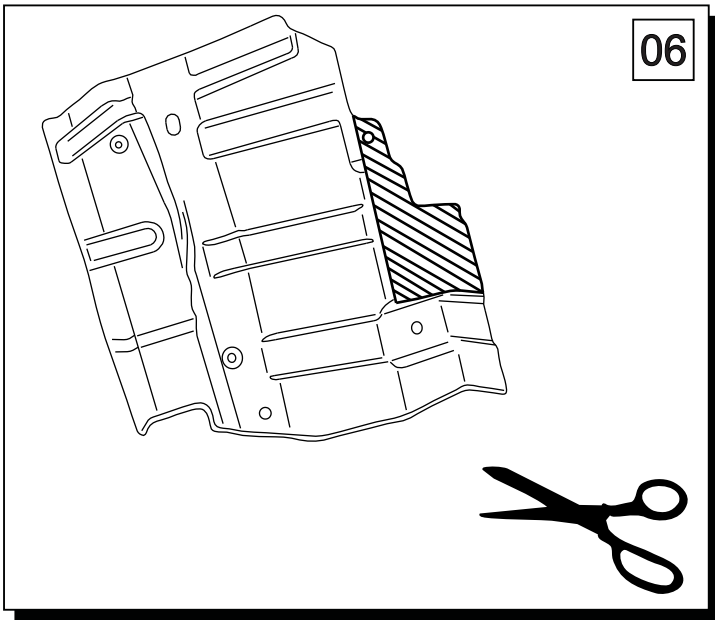


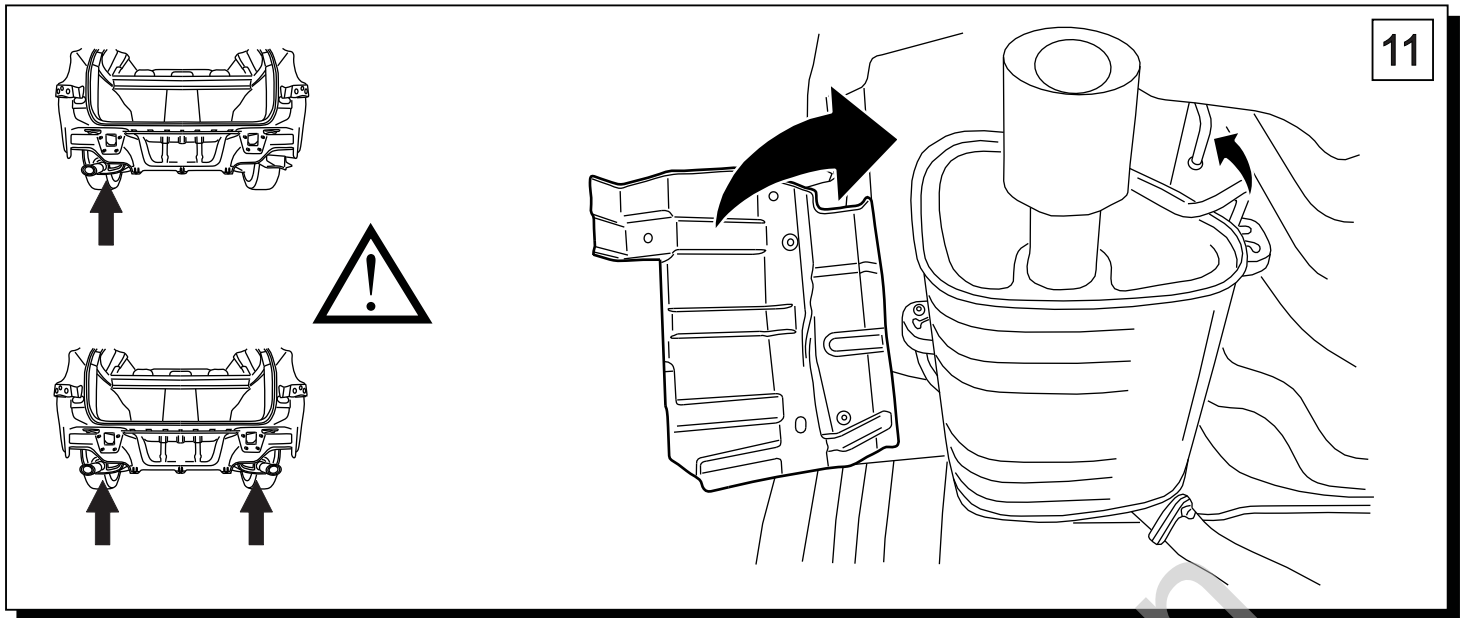
1000 km



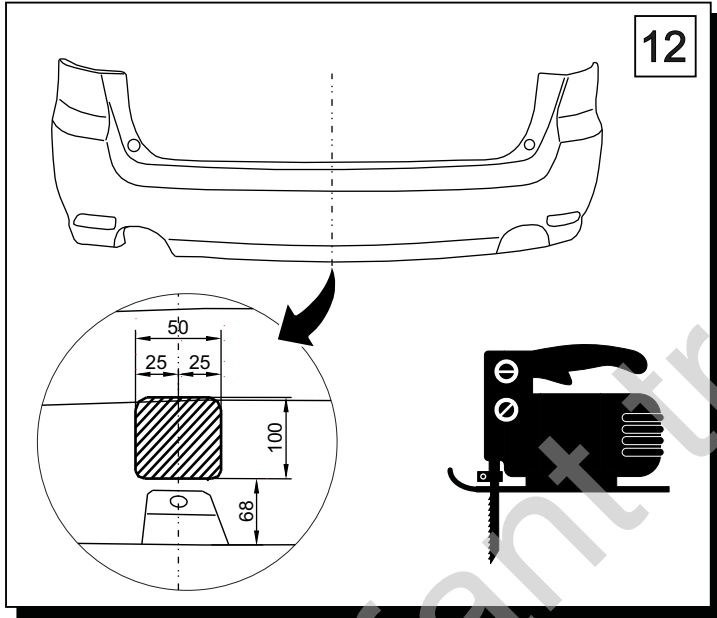
1 	x 1		7 M12x75	x 1
			8 M12x70	x 1
			9 M12x35	x 4
			10 M10x40	x 6
			11 \varnothing 13	x 6
			12 \varnothing 30x \varnothing 10.5x2.5 10 (DIN 9021)	x 6
2 	x 1 Art.nr-KL1SU46		13 \varnothing 12.2	x 6
			14 \varnothing 10.2	x 6
3 	x 1 Art.nr-BL1SU46		15 M12	x 6
4 	x 1			
5 	x 1			
6 	x 1			



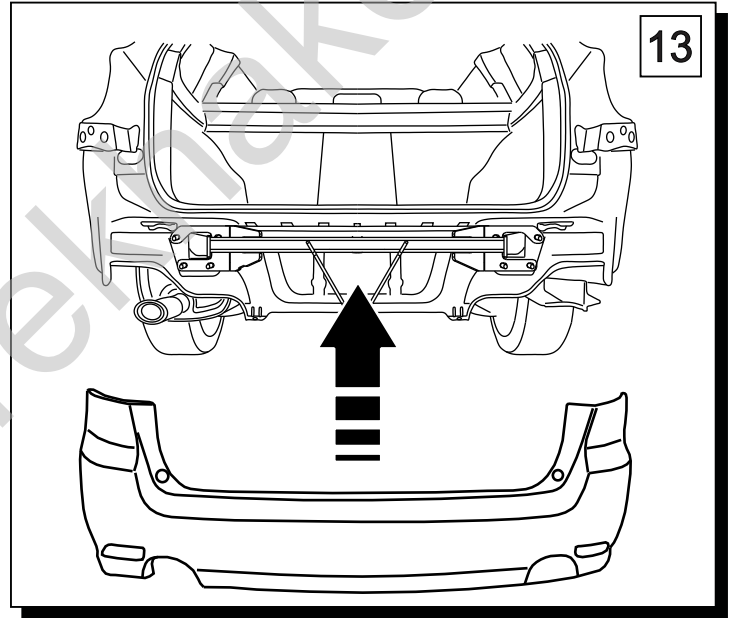




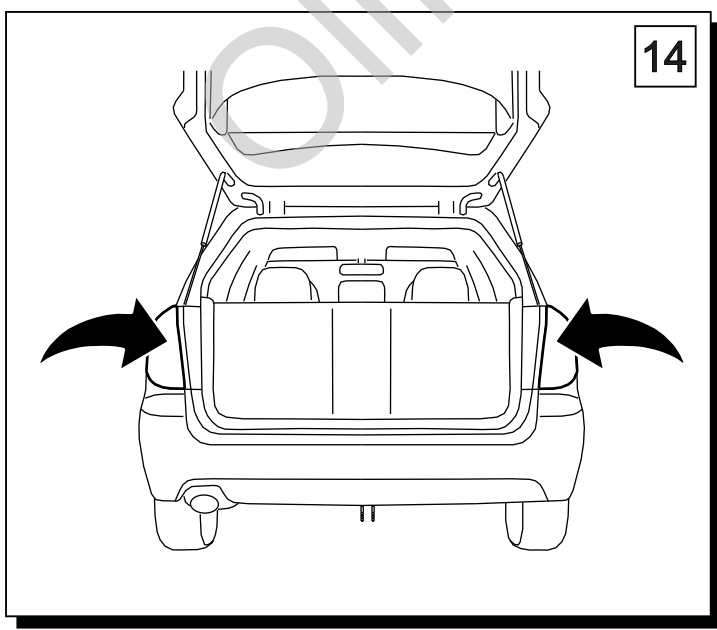
11



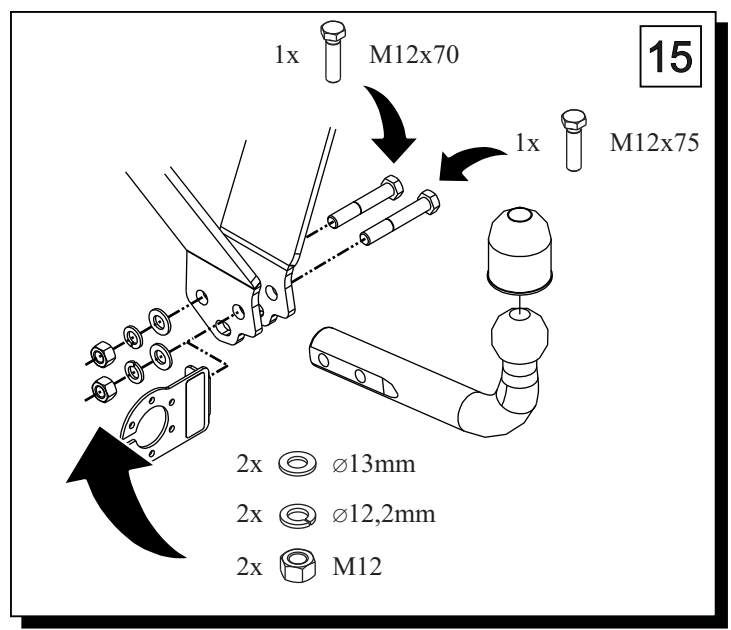
12



13



14



15