

PPUH AUTO-HAK Sp.J.

Henryk & Zbigniew Nejman
ul. Słoneczna 16K 76-200 SŁUPSK
POLAND

tel/fax +48 059 8-414-414; 8-414-413

e-mail: office@autohak.com.pl

www.autohak.com.pl



AUTO-HAK



SEAT LEON 3/5D

Cat. no:

SC49A



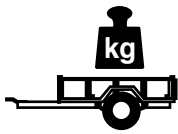
06.2015 →



E20-55R-01 4580



9,9 kN



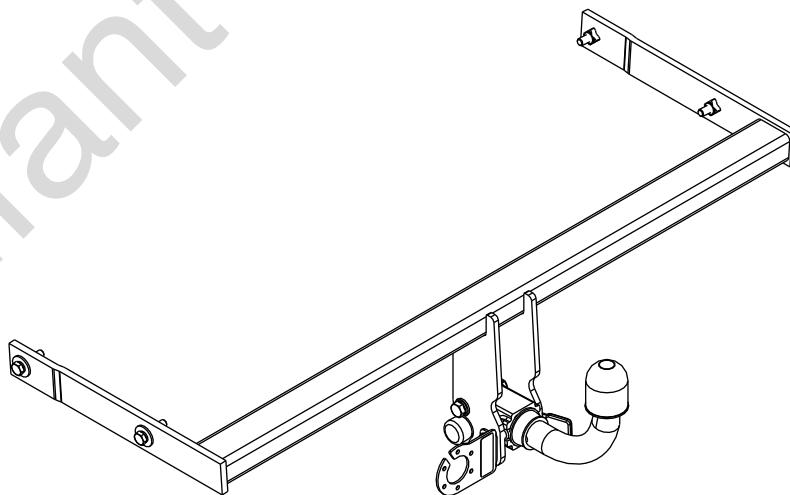
R=2000 kg



S=80 kg



2h



M6 - 11 Nm
M10 - 50 Nm
M14 - 138 Nm

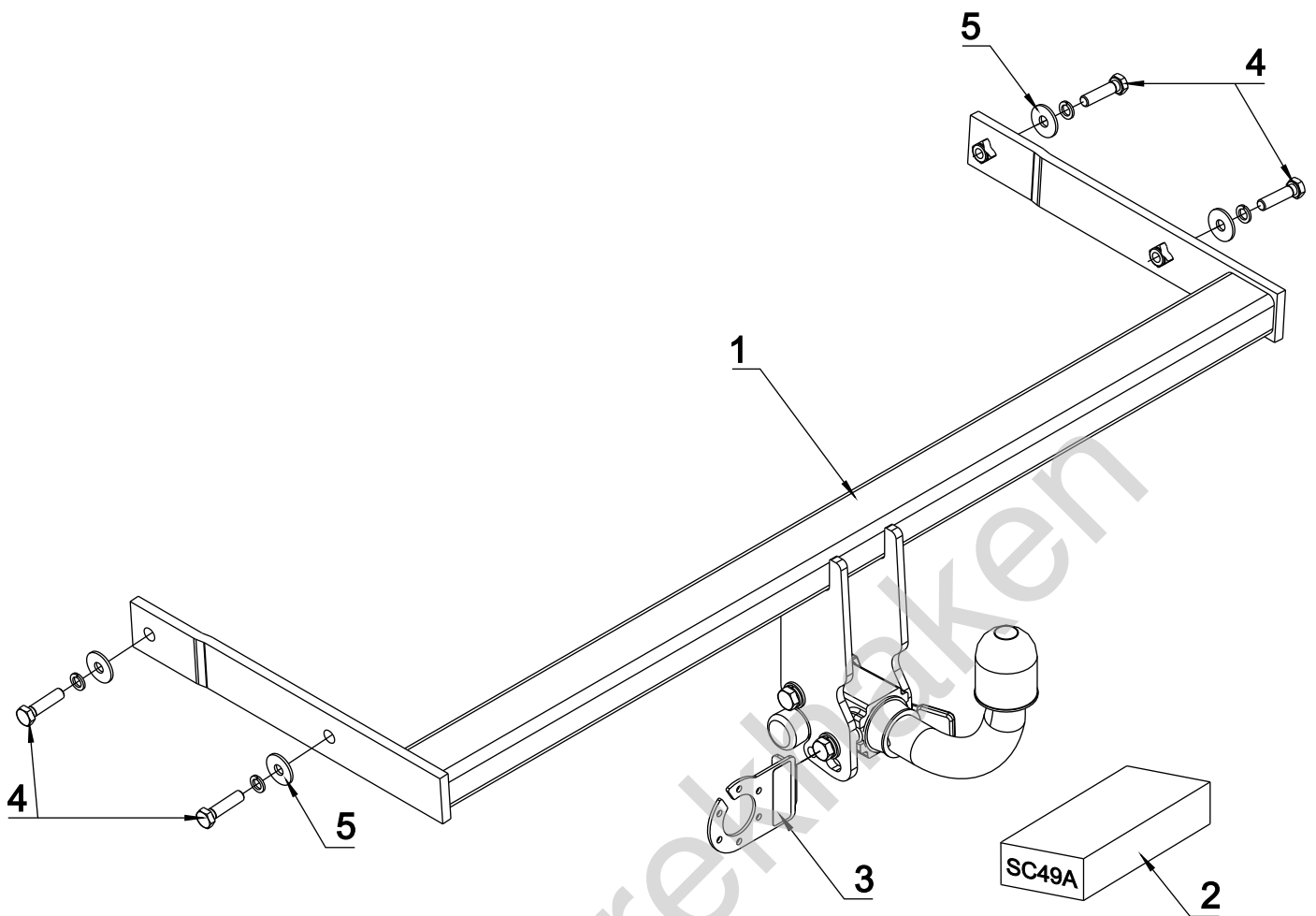
M8 - 25 Nm
M12 - 87 Nm
M16 - 210 Nm

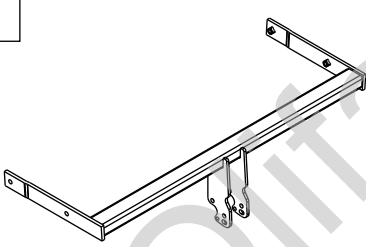
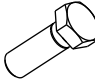


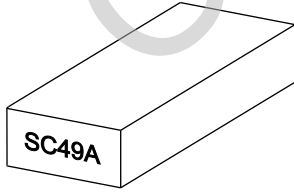
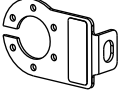


0 km →

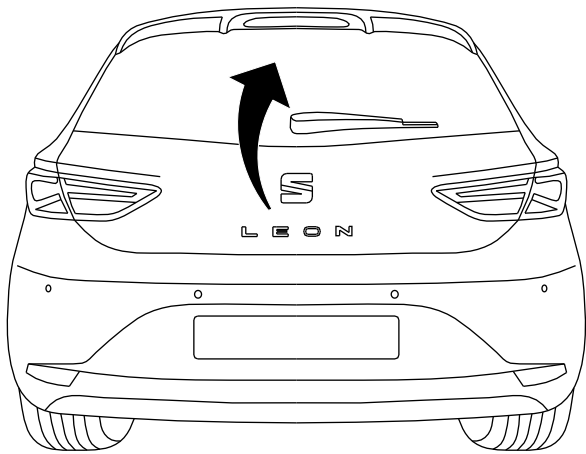


1000 km

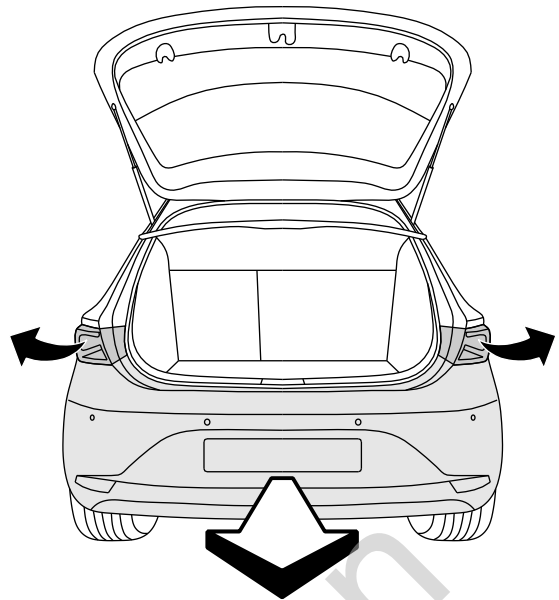


	x1		4 M10x40	x4
			5 Ø 30xØ10.5x2.5 10 DIN 9021	x4
			6 Ø 10.2	x4
	x1			
		x1		
	Art.nr-KL1SC49A Art.nr-BL1SC49A			

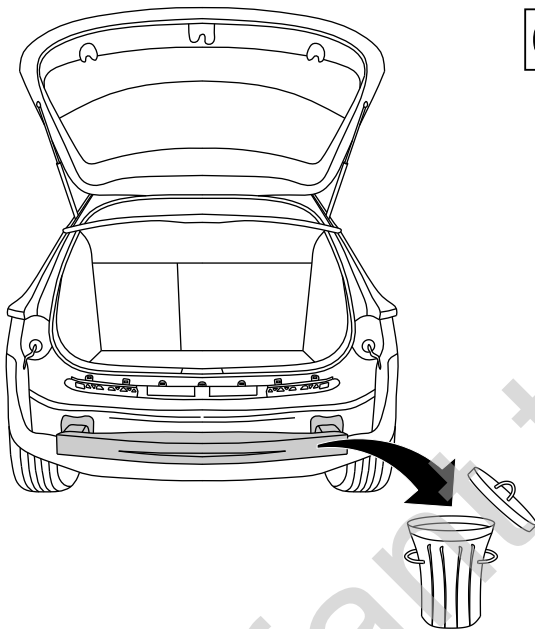
01



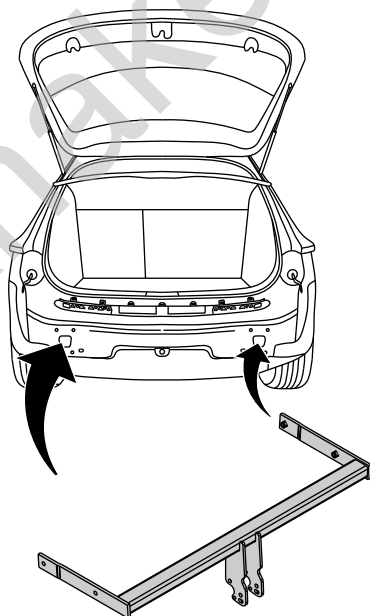
02



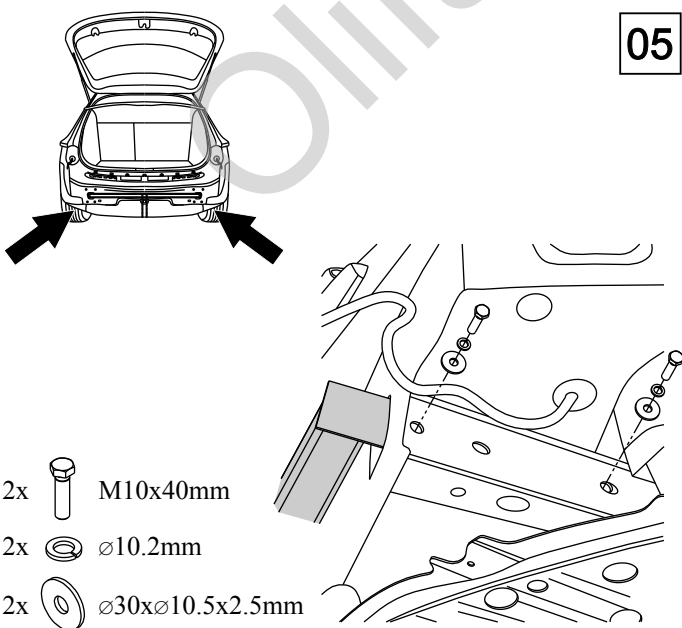
03



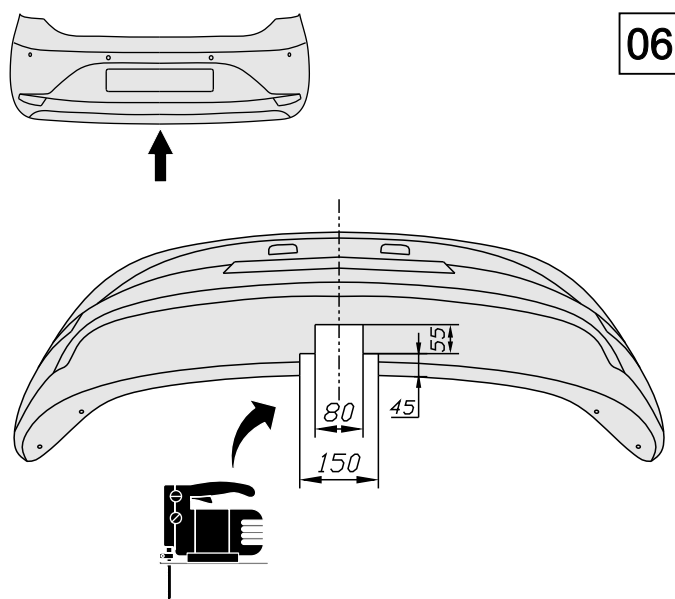
04



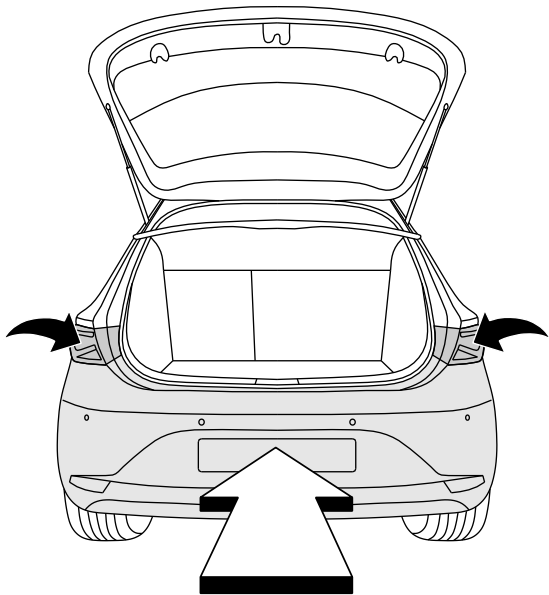
05



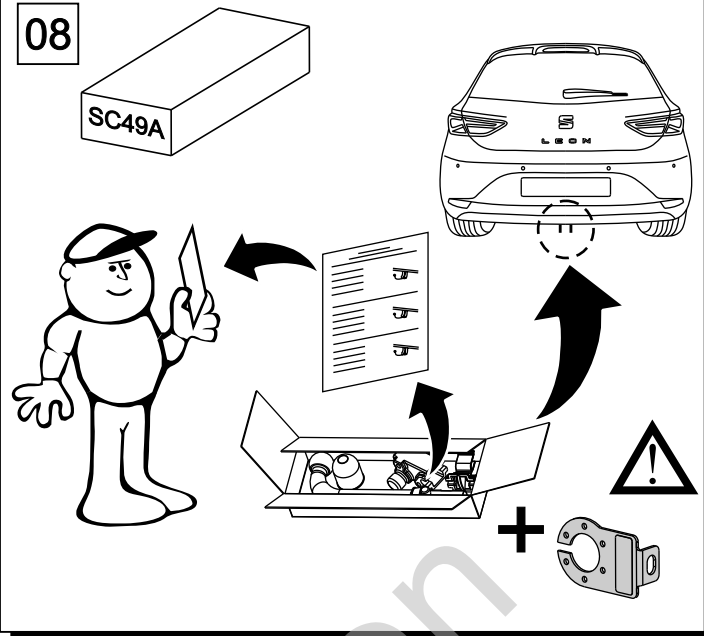
06



07



08



Olifant trekhaken