

# AUTO-HAK Sp. z o.o.

ul. Słoneczna 16K 76-200 SŁUPSK  
POLAND

tel/fax +48 59 8 414 414; +48 59 8 414 413

e-mail: [office@autohak.com.pl](mailto:office@autohak.com.pl)

[www.autohak.com.pl](http://www.autohak.com.pl)



# AUTO-HAK



SEAT LEON ST  
KOMBI, ~~FR/EXPERIENCE~~

Nr kat.

SC48A



10.2013 →



E20-55R-01 3654

D

9,90 kN



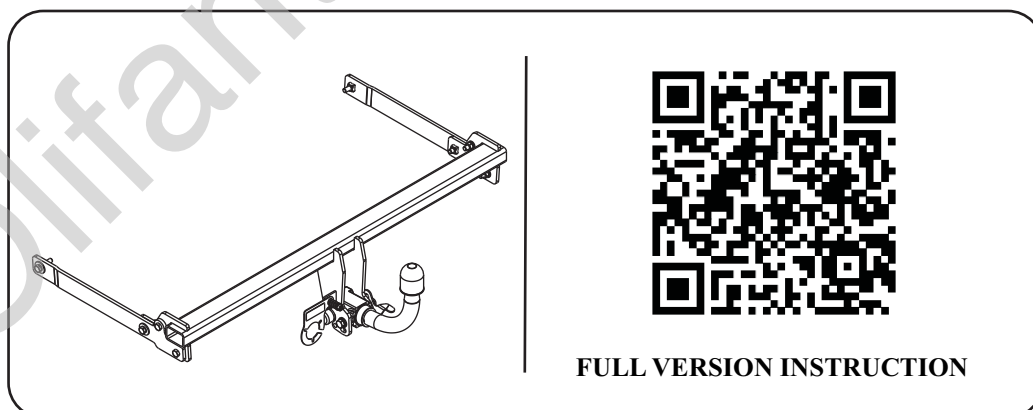
2h



R=2000 kg



S=80 kg



FULL VERSION INSTRUCTION



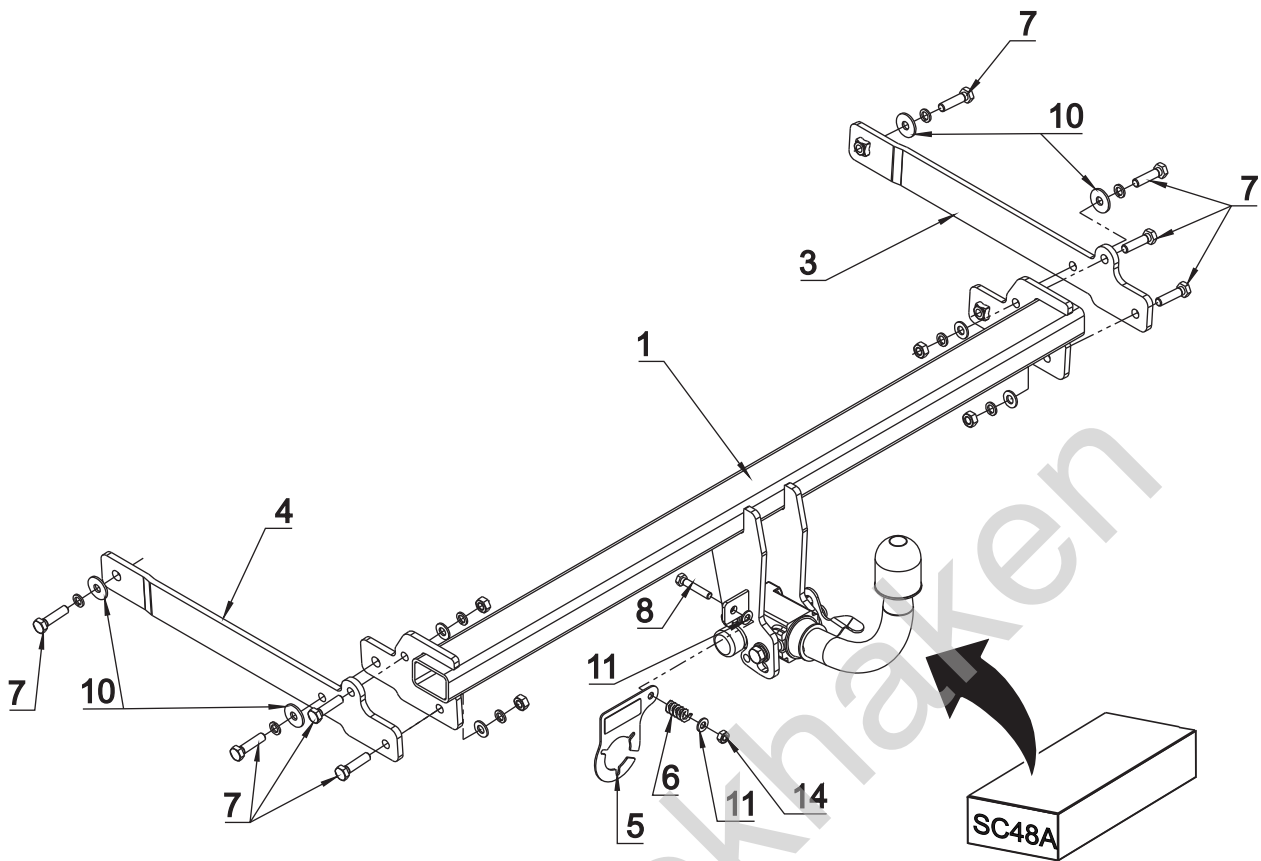
śruba	Nm	M6	M8	M10	M12	M14	M16
klasa 8.8		9,9	24	48	83	132	200
klasa 10.9		14	34	67	117	185	285

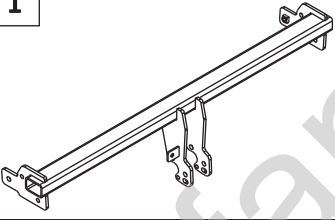

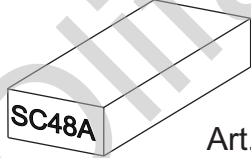

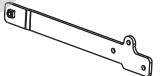

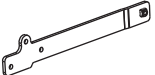











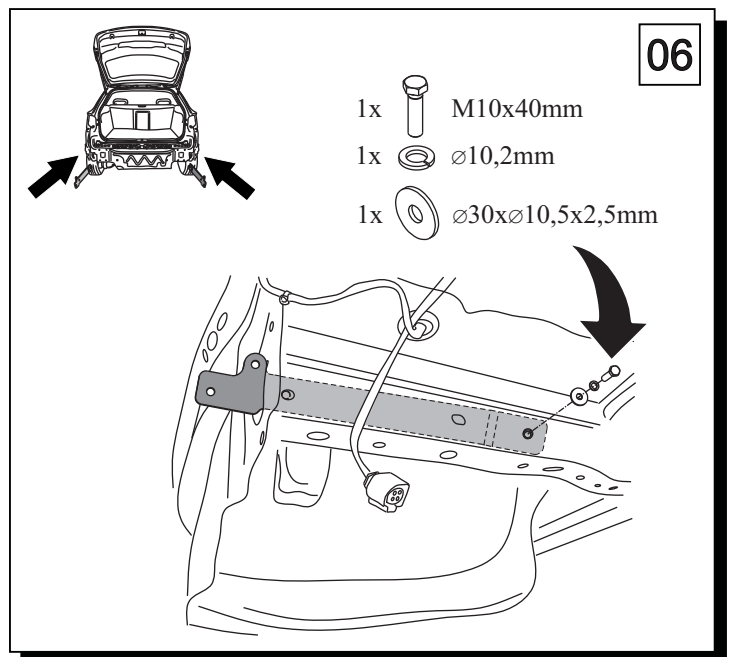
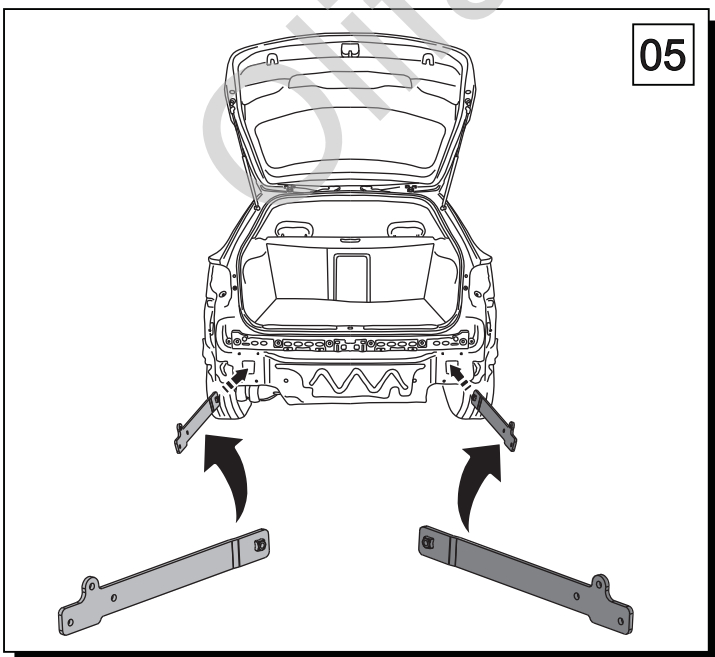
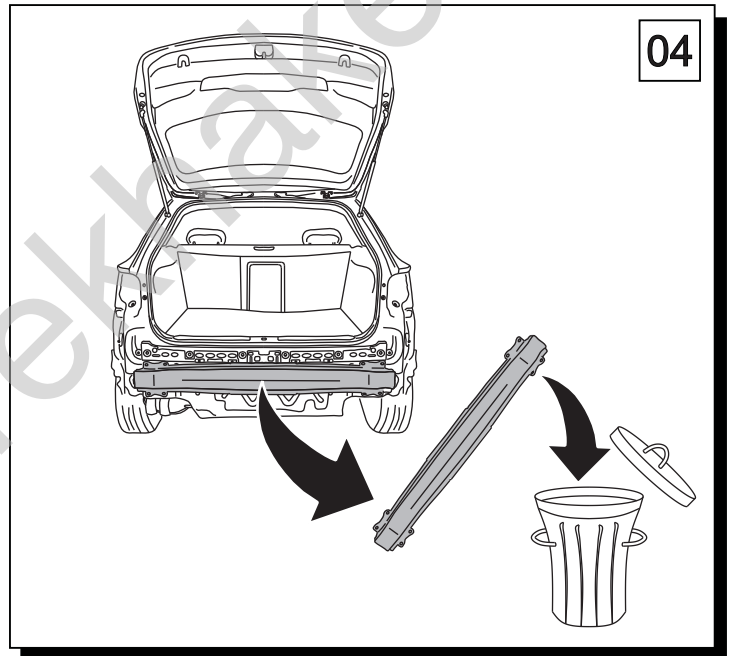
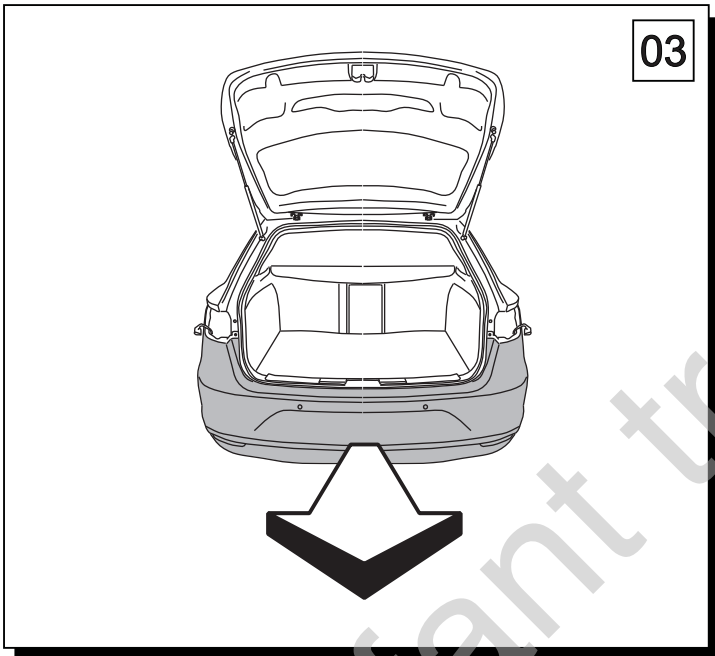
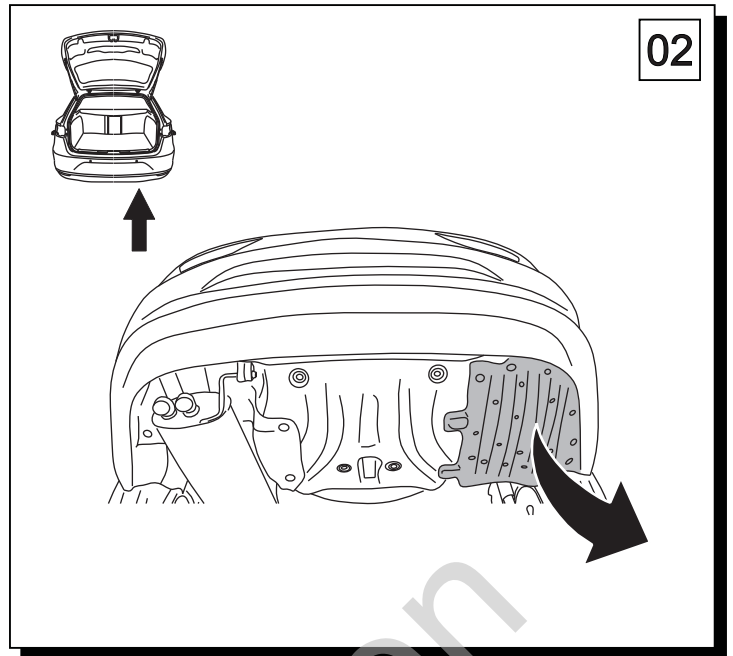
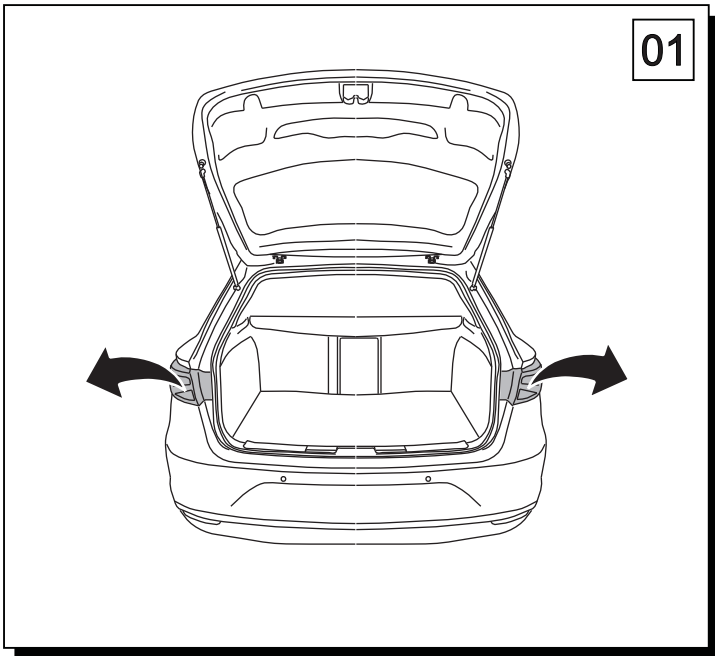
0 km

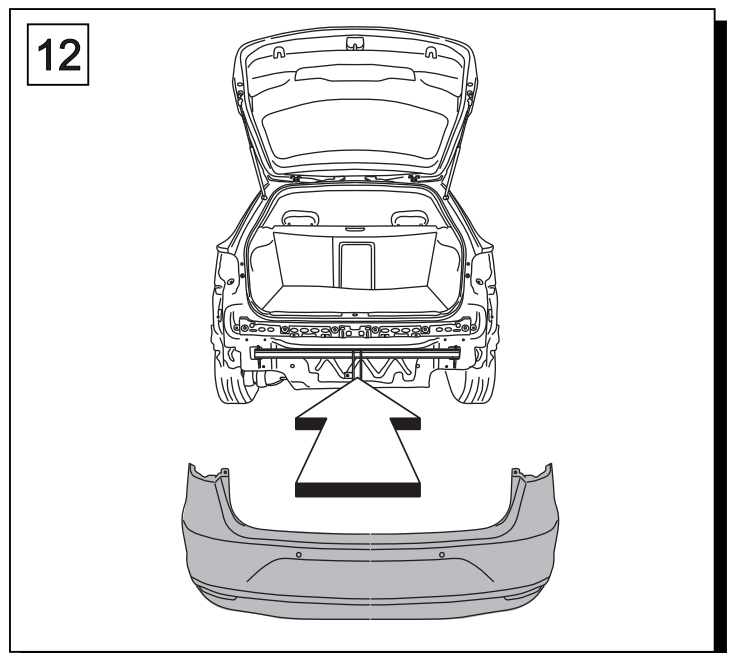
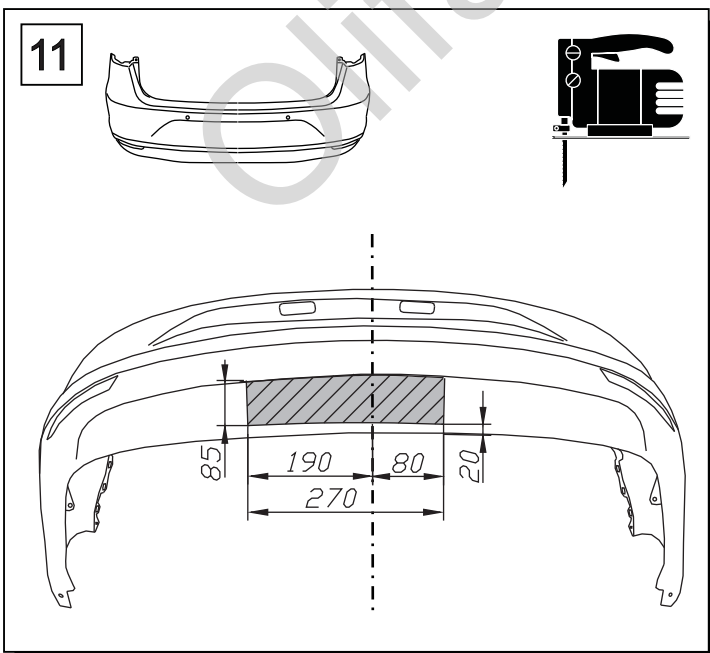
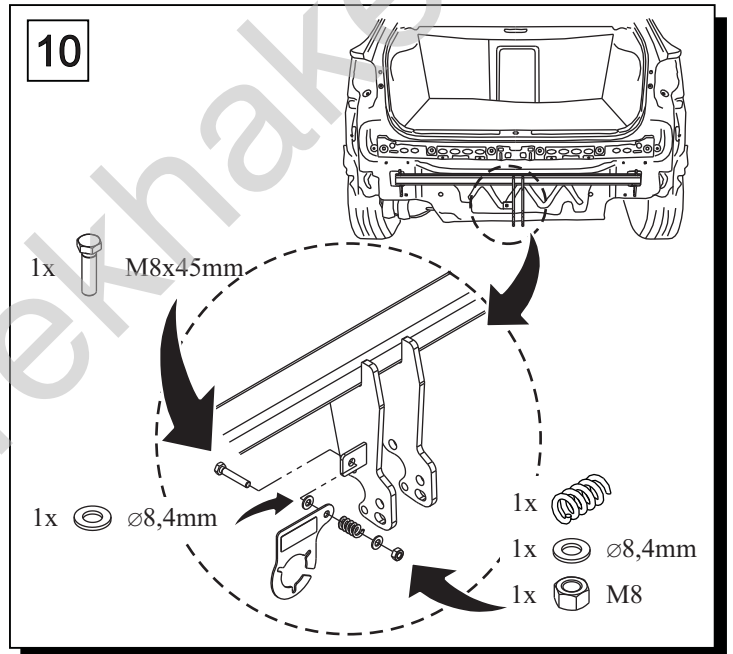
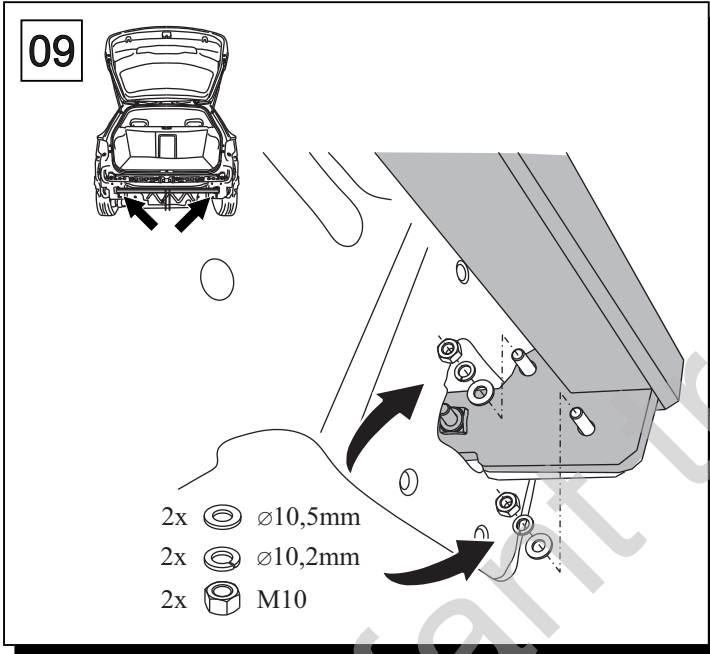
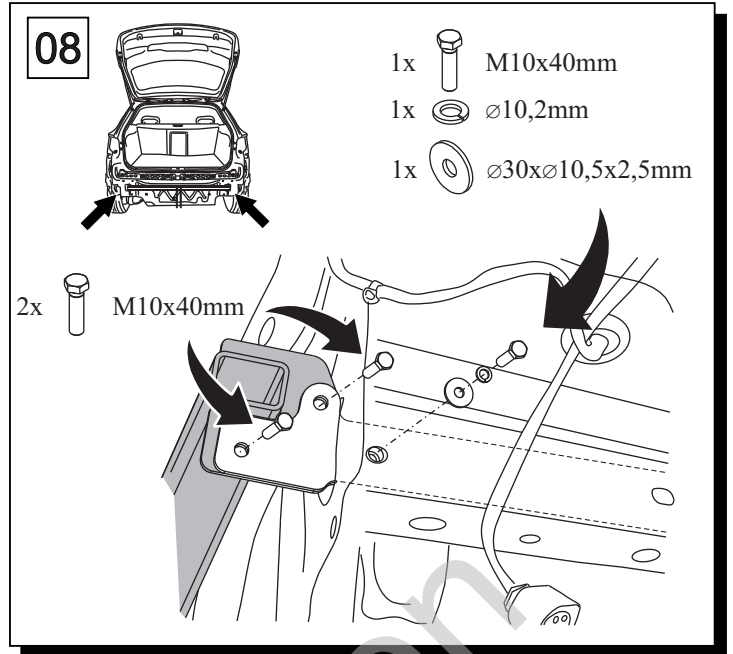
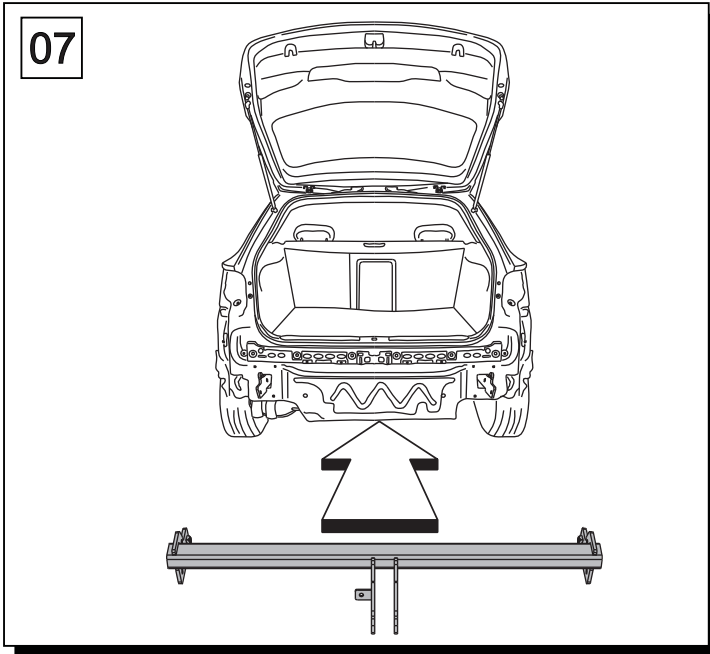


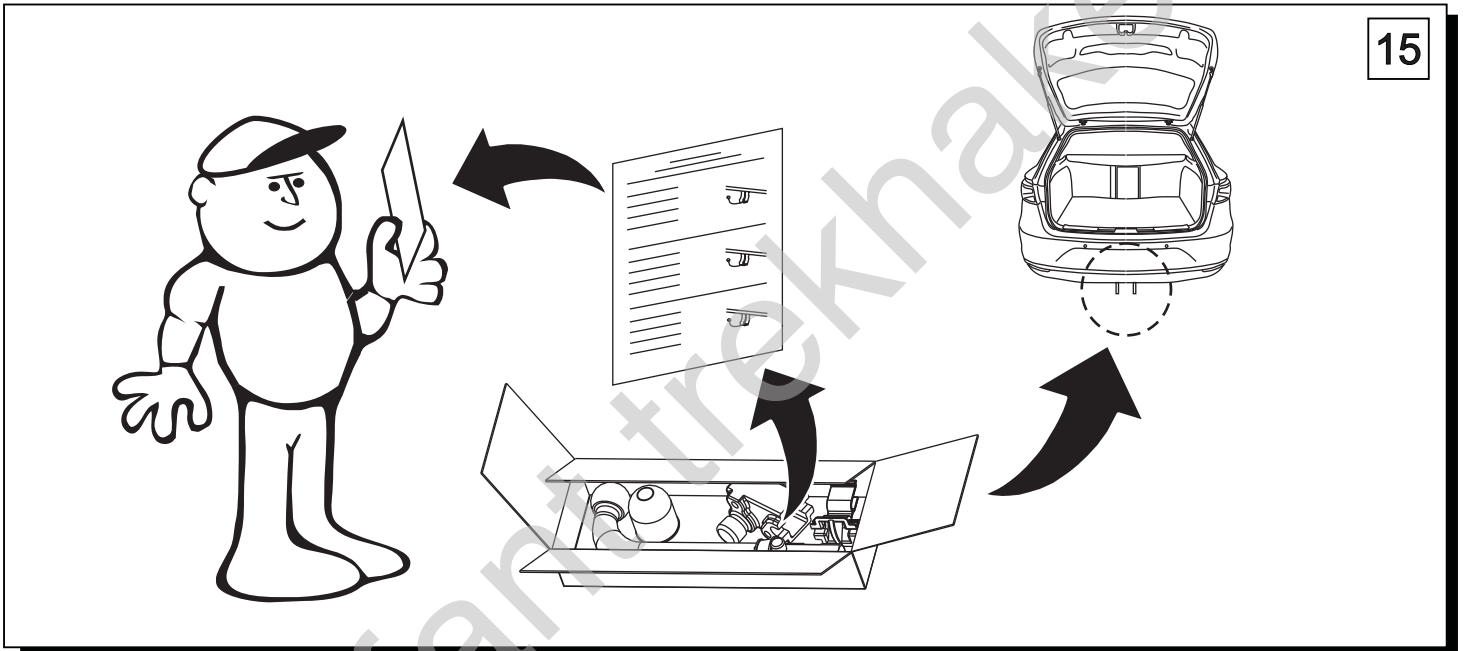
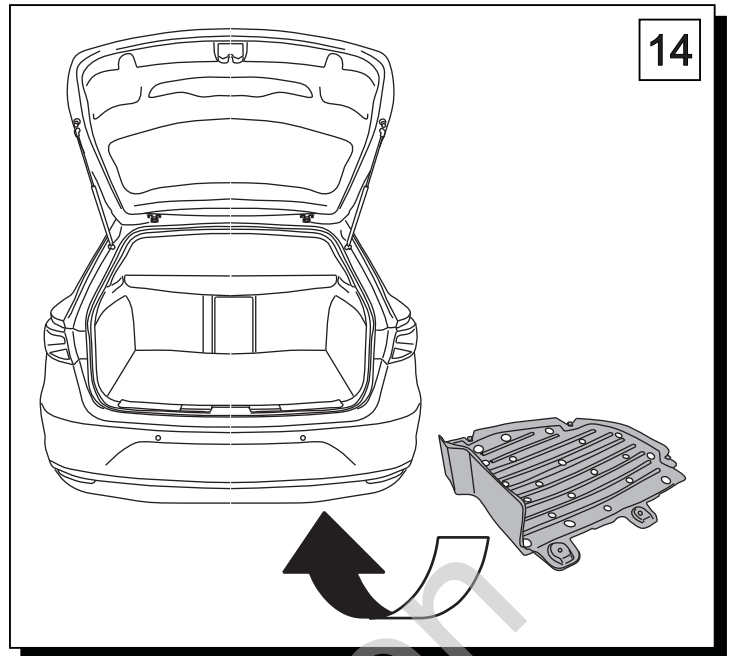
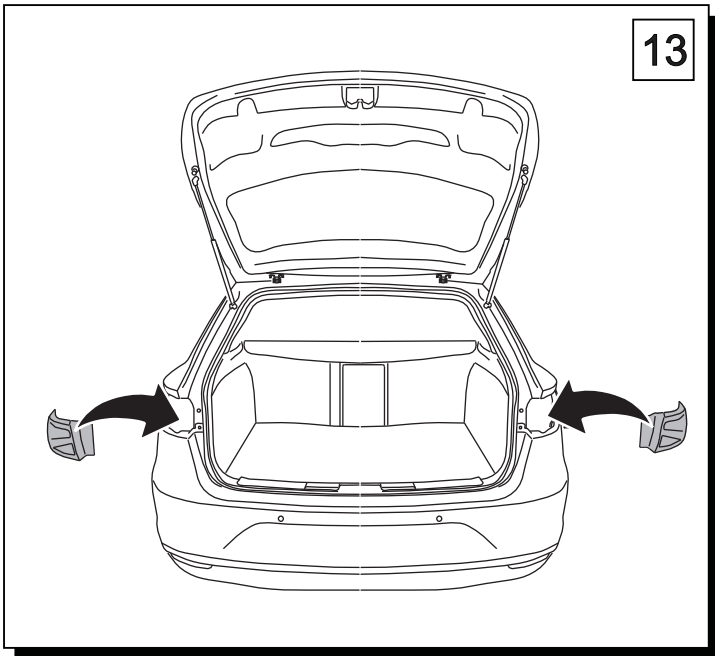
1000 km






	x1		7 M10x40	x8
 <p>Art.nr-KL1SC48A</p>	x1		8 M8x45	x1
	x1		9 $\varnothing$ 10.5	x4
	x1		10 $\varnothing$ 30x $\varnothing$ 10.5x2.5 10 (DIN 9021)	x4
 <p>Art.nr-BL1SC48A</p>	x1		11 $\varnothing$ 8,3	x2
	x1		12 $\varnothing$ 10.2	x8
	x1		13 M10	x4
	x1		14 M8	x1







	<b>M6</b>	-	11 Nm	<b>M8</b>	-	25 Nm
	<b>M10</b>	-	50 Nm	<b>M12</b>	-	87 Nm
	<b>M14</b>	-	138 Nm	<b>M16</b>	-	210 Nm
	 <b>0 km</b> →  <b>1000 km</b>					