

PPUH AUTO-HAK Sp.J.

Henryk i Zbigniew Nejman
ul. Słoneczna 16K 76-200 SŁUPSK
POLAND


tel/fax +48 59 8 414 414; +48 59 8 414 413

e-mail: office@autohak.com.pl


www.autohak.com.pl



AUTO-HAK


 **SEAT ALTEA
FREETRACK, VAN**


Cat. no:
SC47A


 **06.2007** →

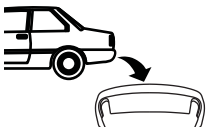
e20 e20*94/20*1620*00


D **9,3 kN**

 **R=1650 kg**

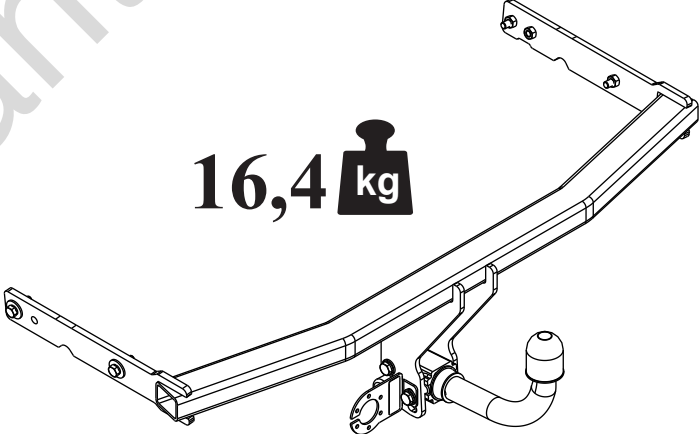
 **S=100 kg**


 **2h**





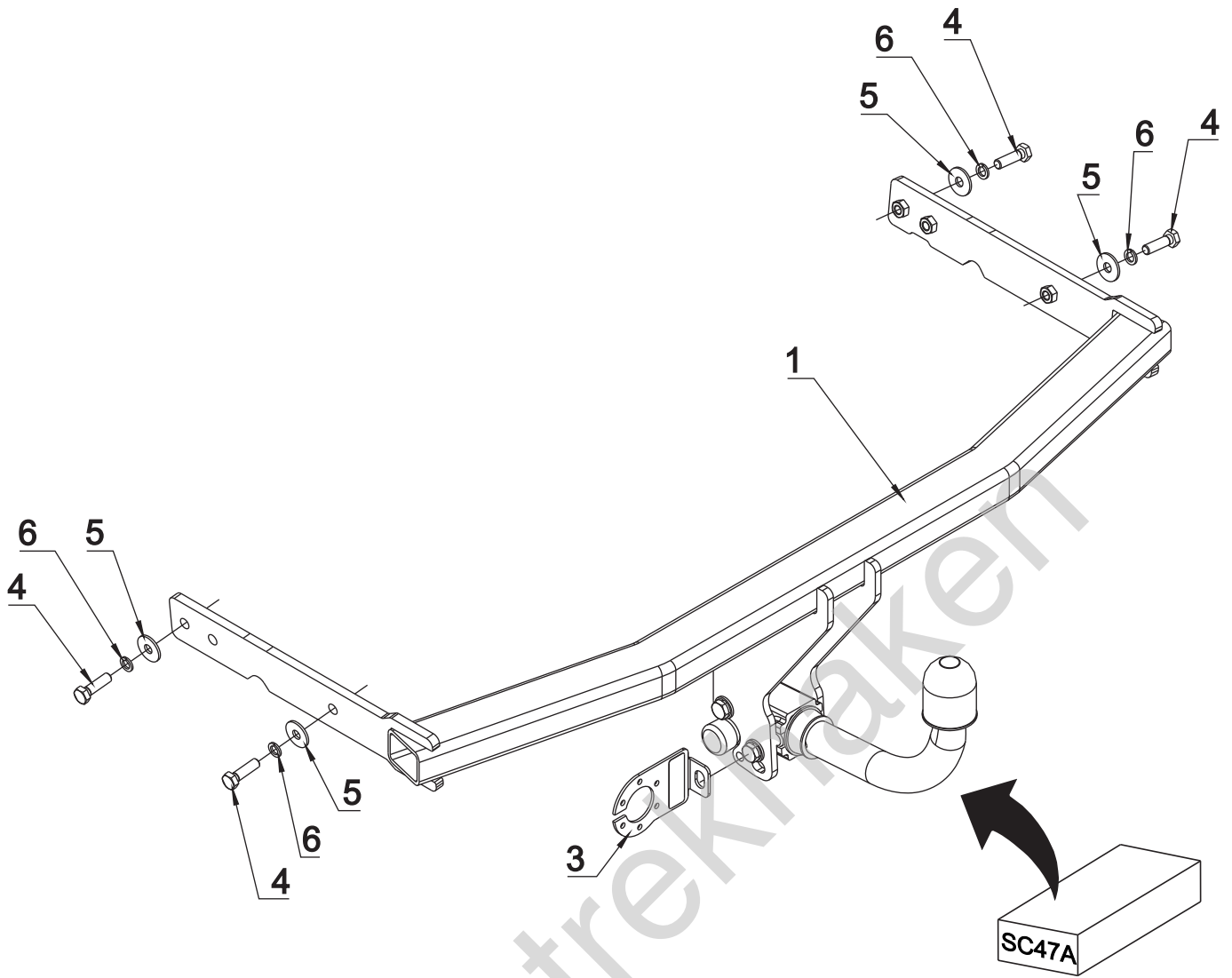


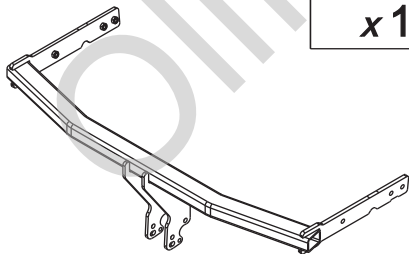
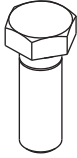
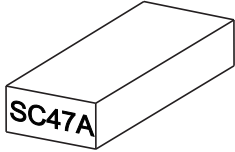

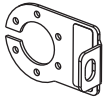

16,4 kg



	M6 - 11 Nm	M8 - 25 Nm
	M10 - 50 Nm	M12 - 87 Nm
	M14 - 138 Nm	M16 - 210 Nm

 **0 km** →  **1000 km**



1		x1		4 M10x35	x4
2	 <p>Art.nr-KL1SC47A</p>	x1		5 \varnothing 30x \varnothing 10.5x2.5 10 (DIN 9021)	x4
3	 <p>Art.nr-BL1SC47A</p>	x1		6 \varnothing 10.2	x4

