

AUTO-HAK Sp. z o.o.

ul. Słoneczna 16K 76-200 SŁUPSK
POLAND

tel/fax +48 59 8 414 414; +48 59 8 414 413

e-mail: office@autohak.com.pl

www.autohak.com.pl



AUTO-HAK



SEAT IBIZA, IBIZA ST
3/5D, KOMBI (6J)

Cat. no:

SC46A



06.2010 → 07.2015

06.2015 → 05.2017

e20

e20*94/20*1369*00

D

7,73 kN



2h



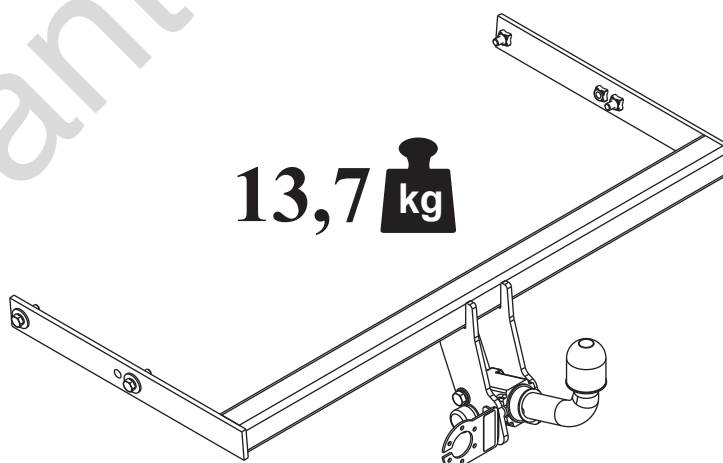
R=1400 kg



S=75 kg



13,7 kg



M6 - 11 Nm
M10 - 50 Nm
M14 - 138 Nm

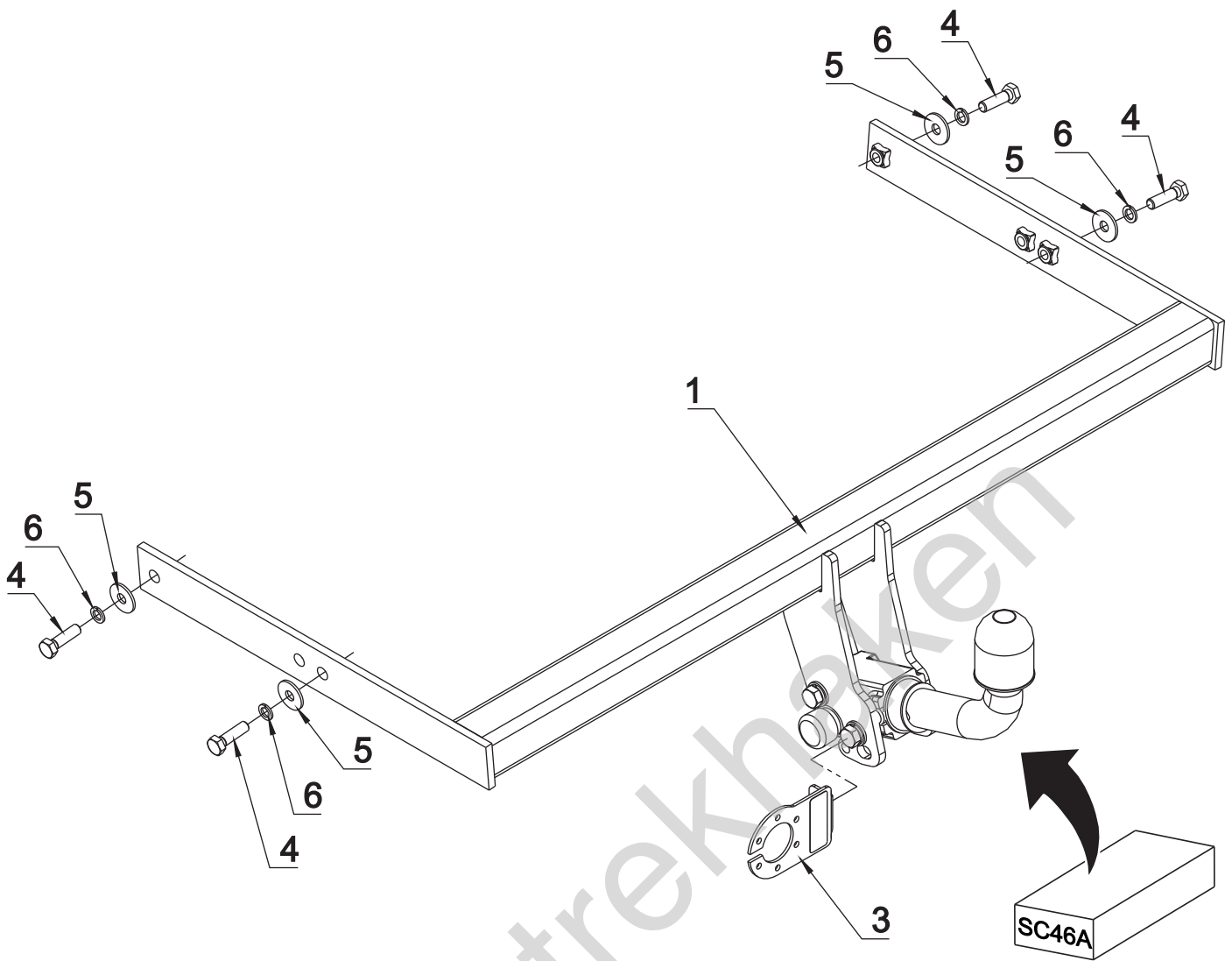
M8 - 25 Nm
M12 - 87 Nm
M16 - 210 Nm

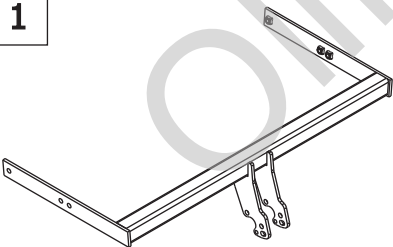
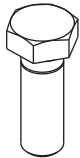
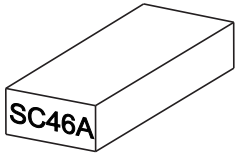

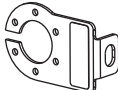



0 km →



1000 km



| | | | | |
|---|-----------|---|--|-----------|
|  | x1 |  | 4 M10x35 | x4 |
|  | x1 |  | 5 ϕ 30x ϕ 10.5x2.5 10 (DIN 9021) | x4 |
|  | x1 |  | 6 ϕ 10.2 | x4 |
| Art.nr-KL1SC46A Art.nr-BL1SC46A | | | | |

