

AUTO-HAK Sp. z o.o.

ul. Słoneczna 16K 76-200 SŁUPSK
POLAND

tel/fax +48 59 8 414 414; +48 59 8 414 413

e-mail: office@autohak.com.pl

www.autohak.com.pl



AUTO-HAK



SEAT IBIZA

3/5D, (6J), ~~Cupra/Bocanegra~~

Cat. no:

SC44A



06.2008 → 07.2015

08.2015 → 05.2017

e20

e20*94/20*0934*01

D

6,9 kN



2h



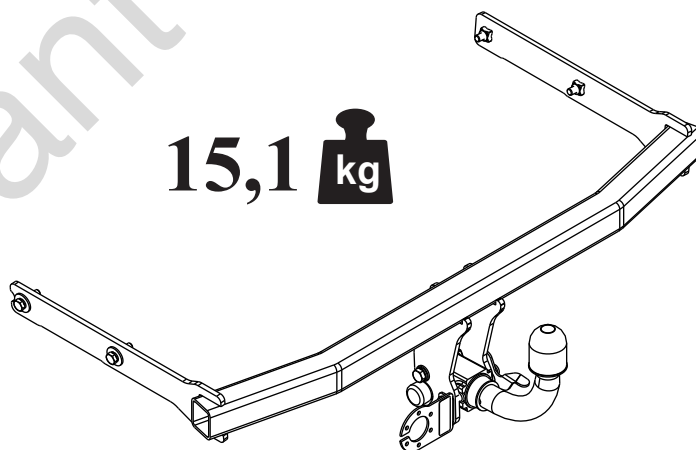
R=1650 kg



S=75 kg



15,1 kg



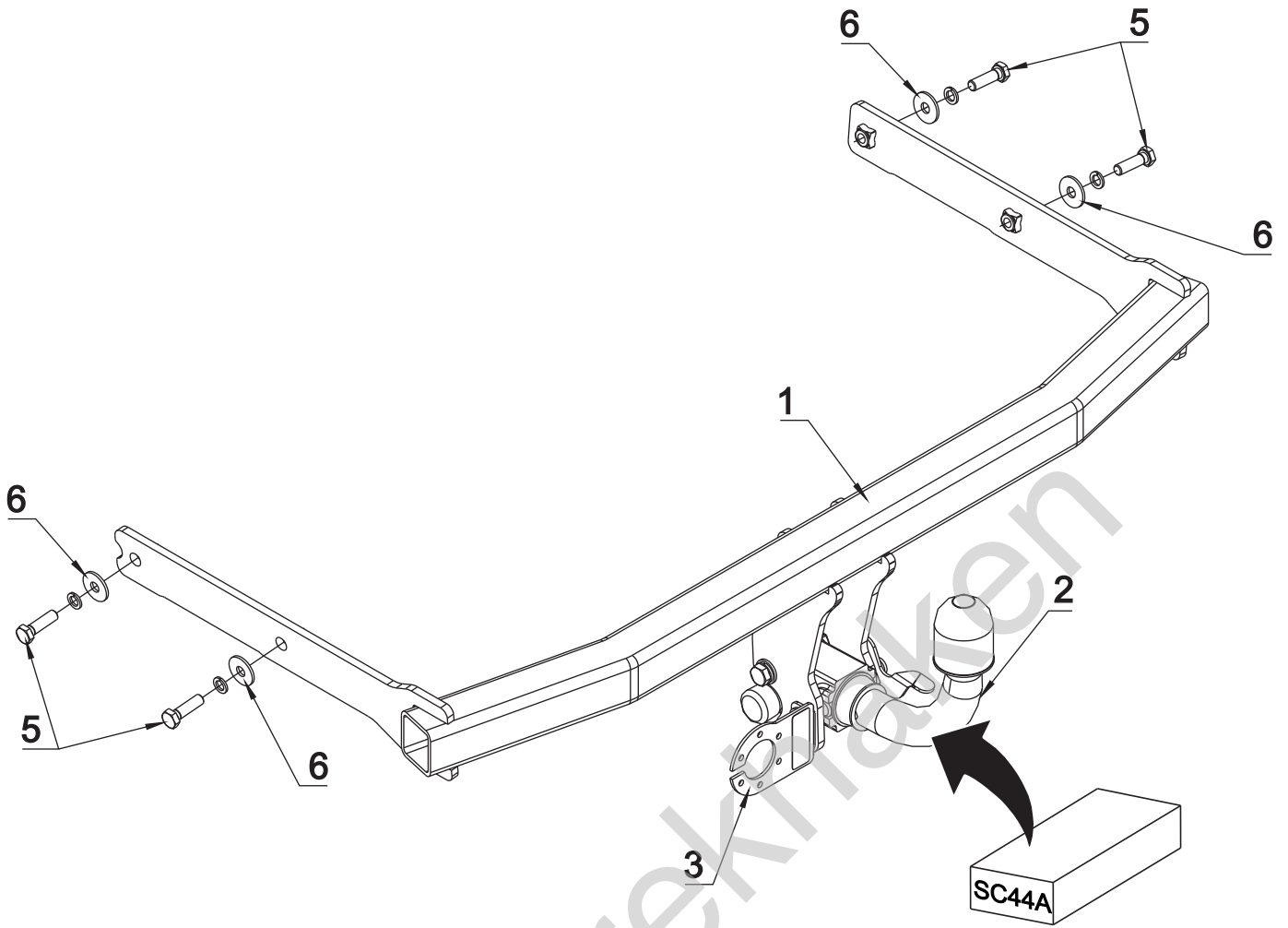
śruba	Nm	M6	M8	M10	M12	M14	M16
klasa 8.8		9,9	24	48	83	132	200
klasa 10.9		14	34	67	117	185	285

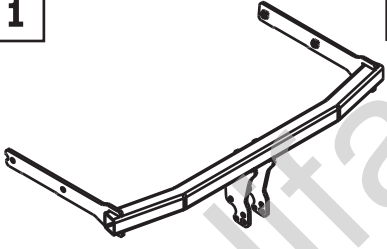

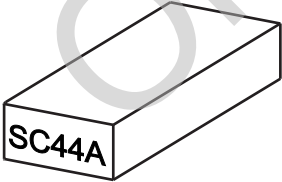






0 km →



1000 km



	x1		5 M10x35	x4
	x1		6 \varnothing 30x \varnothing 10.5x2.5 10 - DIN 9021	x4
	x1		7 \varnothing 10.2	x4
	x1			
Art.nr-KL1SC44A				
Art.nr-BL1SC44A				

