

AUTO-HAK Sp. z o.o.

ul. Słoneczna 16K 76-200 SŁUPSK
POLAND

tel/fax +48 59 8 414 414; +48 59 8 414 413

e-mail: office@autohak.com.pl

www.autohak.com.pl




AUTO-HAK


SEAT

- TOLEDO, 4D (5P2)
⌚ 12.2004 → 02.2013
- ALTEA, ~~ALTEA XL~~,
5 D VAN (5P1)
⌚ 06.2004 →
- LEON, 5D (1P1), ~~FR~~
⌚ 09.2005 → 10.2012

E20 E20-55R-01 1829

D 9,1 kN

 R=1400 kg

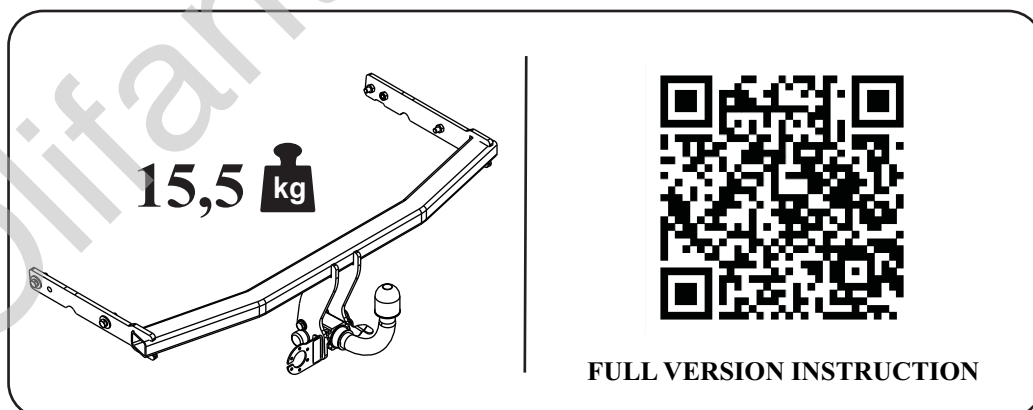
 S=75 kg

Nr kat.

SC43A




2h

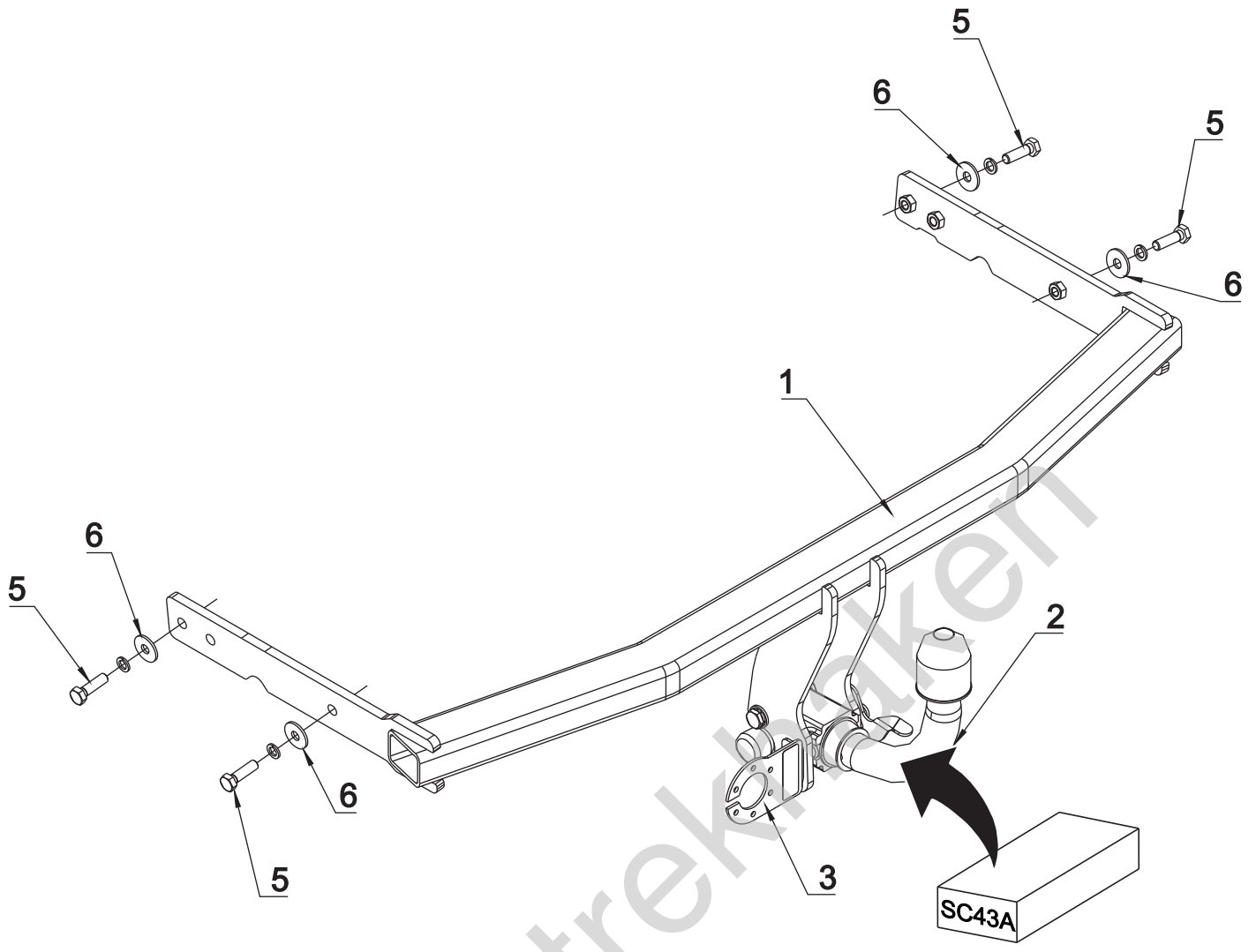


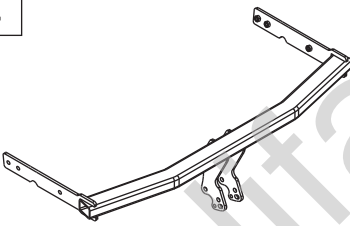
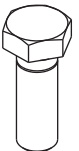
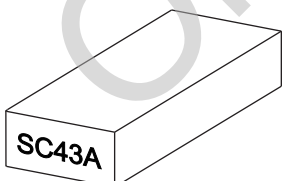

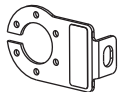


FULL VERSION INSTRUCTION



śruba	Nm	M6	M8	M10	M12	M14	M16
klasa 8.8		9,9	24	48	83	132	200
klasa 10.9		14	34	67	117	185	285

 0 km →  1000 km



1		x 1		5 M 10x35	x 4
2		x 1		6 ϕ 30x ϕ 10.5x2.5 10 (DIN 9021)	x 4
3		x 1		7 ϕ 10.2	x 4
4		x 1			
Art.nr-KL1SC43A					
Art.nr-BL1SC43A					

