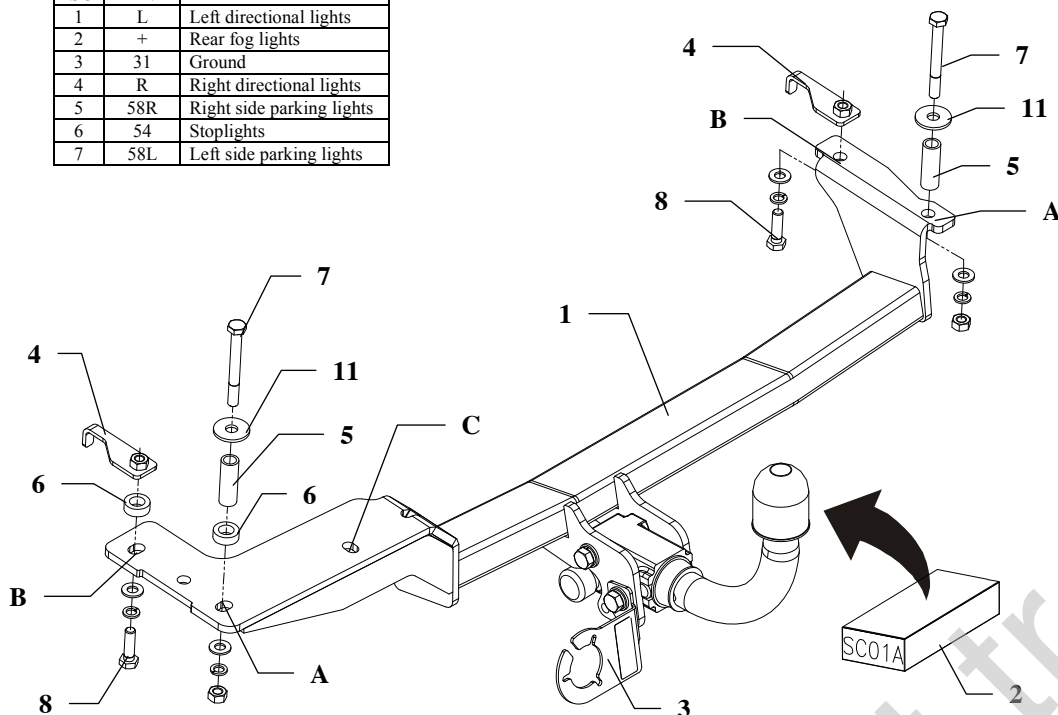


FITTING INSTRUCTION

Clamp mark in acc. with		Cables joining
ISO	PN	
1	L	Left directional lights
2	+	Rear fog lights
3	31	Ground
4	R	Right directional lights
5	58R	Right side parking lights
6	54	Stoplights
7	58L	Left side parking lights



This towing hitch is designed to assembly in following cars:
SEAT IBIZA, 3/5 doors, (S03, 6K), produced since 07.1993 till 01.1996,
 catalogue number **SC01A** and is prepared to tow trailers max total weight
1100 kg and max vertical load **75 kg**.

From manufacturer

Thank you for buying our product. Their reliability has been confirmed in many tests. Reliability of towing hitch depends also on correct assembly and right operation. For this reasons we kindly ask to read carefully this instruction and apply to hints.

The towing hitch should be install in points described by a car producer.

The instruction of the assembly

1. Get lower the muffler from rubber handles.
 2. Underneath the car, through holes in chassis member drill holes inside the trunk using bit $\varnothing 12$ mm. Next enlarge made holes using bit $\varnothing 17$ mm in wall only from inside of the trunk.
 3. To enlarged holes put distance sleeves $L=50$ mm (pos. 5)
 4. Underneath the car apply main bar of the towing hitch (pos. 1) to chassis members and fix using bolts M10x90mm (pos. 7) through distance sleeves (pos. 5) and holes pos. A.
 5. Through large holes in chassis members put nuts on the jib (pos. 4) and fix them through holes pos. B using bolts M10x35mm (pos. 8)
- NOTE:** On the left side put small distance sleeves $\varnothing 25 \times \varnothing 13 \times 9$ mm (pos. 6) before fixing.
6. Through holes (pos. C) reassemble the muffler using bolts M8x35mm (pos. 9) from accessories.
 7. Fix body of the automat and place tow-ball according to supplied instruction. Note! Remember to place socket plate (pos. 3) as shown on the drawing 1.
 8. Fix tight all bolts according to the torque shown in the table.
 9. Connect electric wires of 7-poles socket according to the instruction of the car. (Recommend to make at authorized service station)
 10. Complete paint layer damaged during installation.

Torque settings for nuts and bolts (8,8):

M 8 - 25 Nm	M 10 - 55 Nm
M 12 - 85 Nm	M 14 - 135 Nm

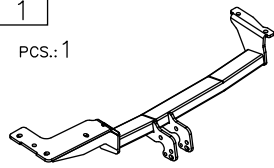
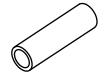

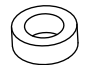

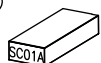
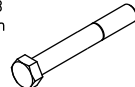

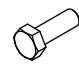

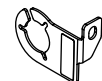
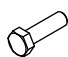


NOTE

After install the towing hitch you should get adequate note in registration book (at authorised service station).The car should be equipped with:

- Indicators
- Tow mirrors

After 1000km check all bolts and nuts. The ball of towing hitch must be always kept clear and conserve with a grease.

Towing hitch accessories:

Pos. 1 Main bar PCS.: 1 	Pos. 5 Distance sleeve ø17.2x2.3mm L=50mm PCS.: 2 	Pos. 10 Nut 8 B M10 PCS.: 2 
	Pos. 6 Distance sleeve ø25x5mm L=9mm PCS.: 2 	Pos. 11 Washer ø37xø13x3mm PCS.: 2 
Pos. 2 Tow ball (mounting set) PCS.: 1 	Pos. 7 Bolt 8.8 B M10x90mm PCS.: 2 	Pos. 12 Washer ø10,5mm PCS.: 4 
	Pos. 8 Bolt 8.8 B M10x35mm PCS.: 2 	Pos. 13 Washer ø8,5mm PCS.: 2 
Pos. 3 Socket plate pcs.: 1 	Pos. 9 Bolt 8.8 B M8x35mm PCS.: 2 	Pos. 14 Spring washer ø10,2mm PCS.: 4 
		Pos. 15 Spring washer ø8,2mm PCS.: 2 



PPUH AUTO-HAK Sp.J.

Produkcja Zaczepów Kulowych
Henryk i Zbigniew Nejman
76-200 SŁUPSK ul. Słoneczna 16K
tel/fax (059) 8-414-414; 8-414-413
E-mail: office@autohak.com.pl
www.autohak.com.pl

Towing hitch (without electrical set)

Class: **A50-X** Cat. no. **SC01A**

Designed for:

Manufacturer: **SEAT**

Model: **IBIZA**

Type: **3/5 doors, (S03, 6K)**

produced since 07.1993 till 01.1996

Technical data:

D-value: 6,6 kN

maximum trailer weight: **1100 kg**

maximum vertical cup load: **75 kg**

Approval number according to Directive 94/20/EC: **e20*94/20*0326*00**

Foreword

This towing hitch is designed according to rules of safety traffic regulations. The towing hitch is a safety component and can be install only by qualified personnel. Any alteration or conversion of the towing hitch is prohibited and would lead to cancellation of design certification. Remove insulating compound and underseal from vehicle (if present) in the area of the matting surfaces of the towing hitch. The vehicle manufacturer's specifications regarding trailer load and max. vertical cup load are decisive for driving whereat values for the towing hitch cannot be exceeded.

D-value formula:

$$\frac{\text{Max trailer weight [kg]} \times \text{Max vehicle weight [kg]}}{\text{Max trailer weight [kg]} + \text{Max vehicle weight [kg]}} \times \frac{9,81}{1000} = D \text{ [kN]}$$