

PPUH AUTO-HAK Sp.J.

Henryk i Zbigniew Nejman
ul. Słoneczna 16K 76-200 SŁUPSK
POLAND

tel/fax +48 59 8 414 414; +48 59 8 414 413

e-mail: office@autohak.com.pl

www.autohak.com.pl



AUTO-HAK



**SAAB 9-5
4D, KOMBI**

Cat. no:

SA02A



07.1997 → 06.2011

e20

e20*94/20*1422*00

D

10,32 kN



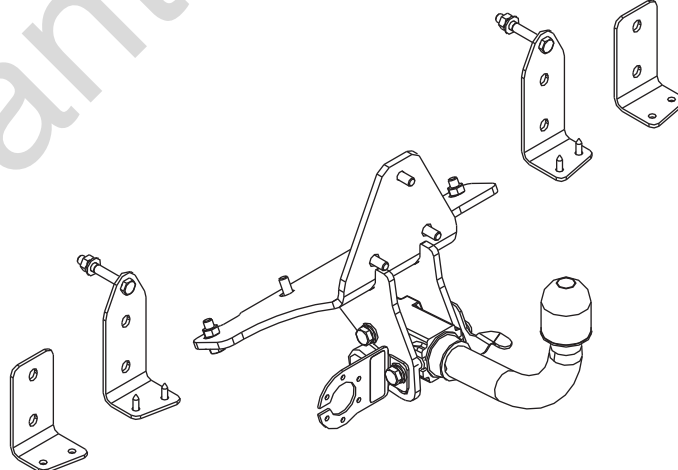
2h



R=1800 kg



S=75 kg



M6 - 11 Nm
M10 - 50 Nm
M14 - 138 Nm

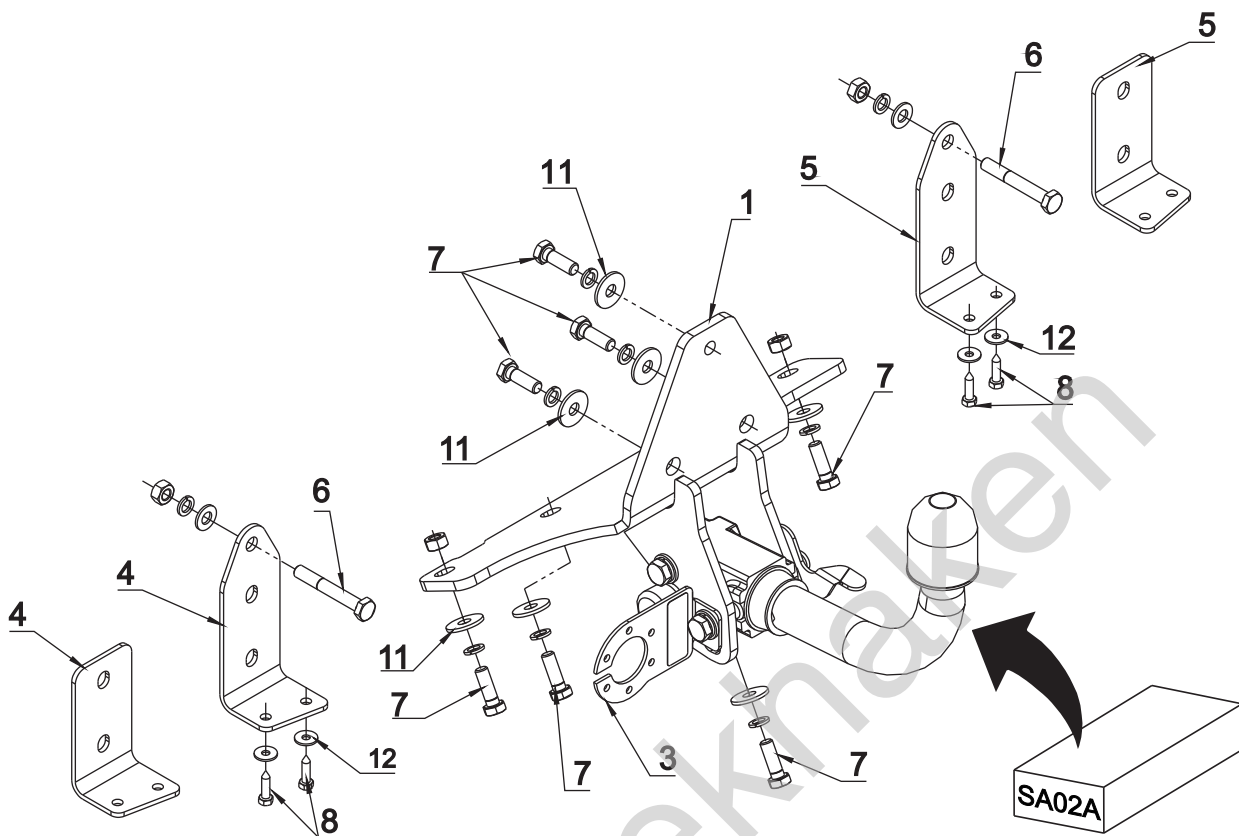
M8 - 25 Nm
M12 - 87 Nm
M16 - 210 Nm



0 km →



1000 km



1		x1		6 M10x70	x2
				7 M10x30	x7
				8 M6x25	x4
2		x1		9 M10	x4
				10 ϕ 10.5	x2
3		x1		11 ϕ 30x ϕ 10.5x2.5 10 - DIN 9021	x7
				12 ϕ 18x ϕ 6.4x1.6 6 - DIN 9021	x4
4	SEDAN KOMBI	x1+1		13 ϕ 10.2	x9
5	SEDAN KOMBI	x1+1			

