

# AUTO-HAK Sp. z o.o.

ul. Słoneczna 16K 76-200 SŁUPSK  
POLAND

tel/fax +48 59 8 414 414; +48 59 8 414 413

e-mail: [office@autohak.com.pl](mailto:office@autohak.com.pl)

[www.autohak.com.pl](http://www.autohak.com.pl)



# AUTO-HAK


**SAAB 9-3  
4D, CABRIO,  
KOMBI**

**Nr kat.  
SA01A**

 **09.2002 → 2010**

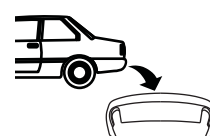
**e20** **e20\*94/20\*1395\*00**

**D** **9,22 kN**

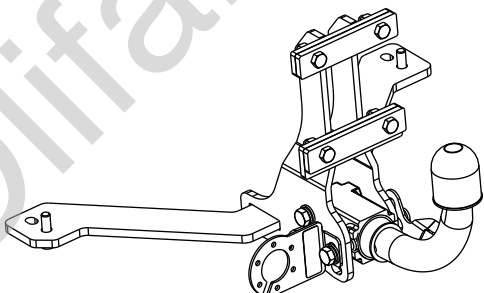
 **R=1600 kg**


 **S=80 kg**

 **2h**





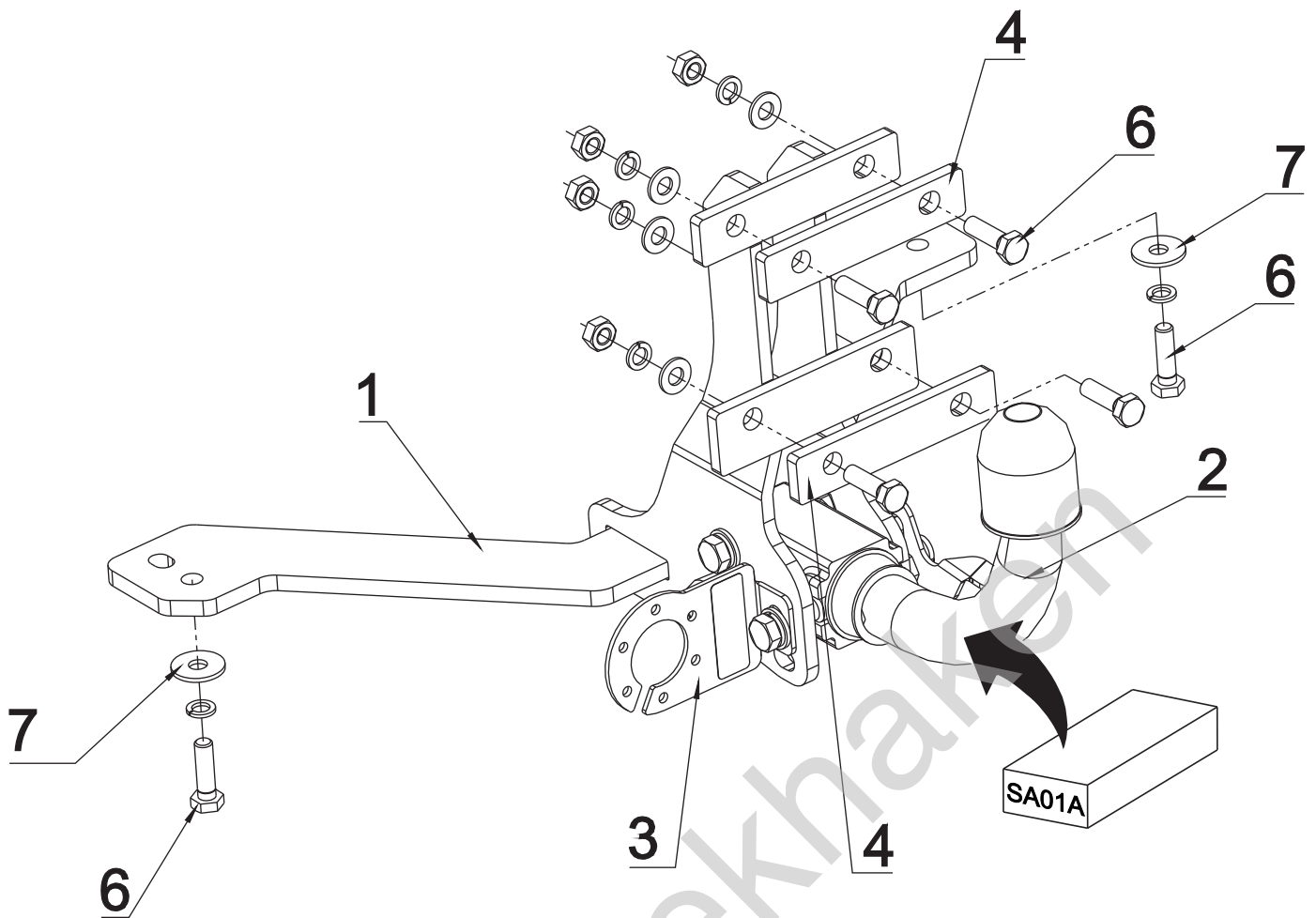


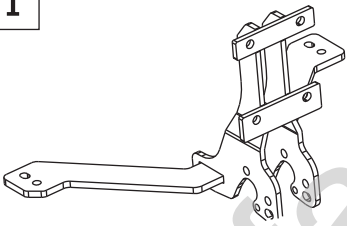

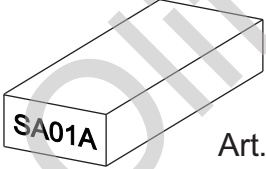



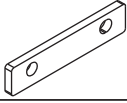





  
**FULL VERSION INSTRUCTION**



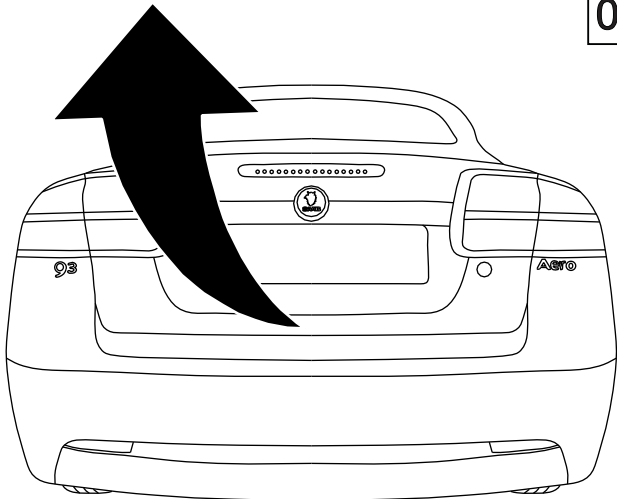
śruba	Nm	M6	M8	M10	M12	M14	M16
klasa 8.8		9,9	24	48	83	132	200
klasa 10.9		14	34	67	117	185	285

 **0 km** →  **1000 km**

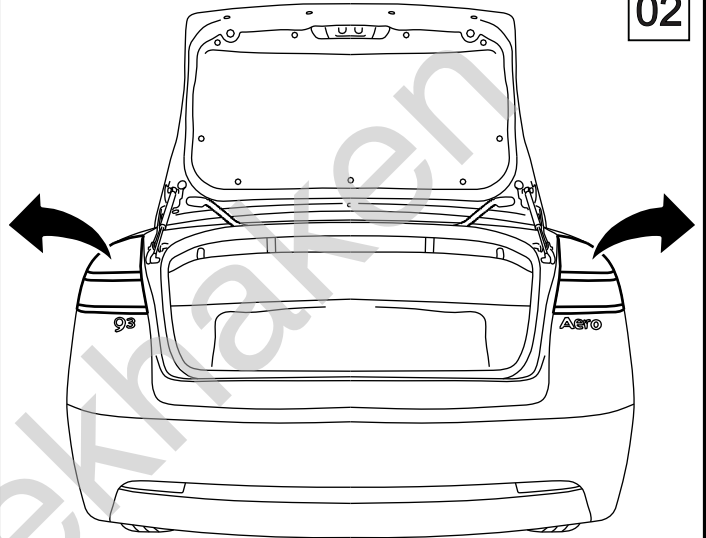


1		x1		6 M10x35	x6
2	 <p>Art. nr-KL1SA01A</p>	x1		7 $\varnothing 30 \times \varnothing 10.5 \times 2.5$ 10 (DIN 9021)	x2
3	 <p>Art. nr-BL1SA01A</p>	x1		8 $\varnothing 10.5$	x4
4	 <p>140x30x8mm</p>	x2		9	x6
5		x1		10 $\varnothing 10.2$	x4
6		x1		11 M10	x4

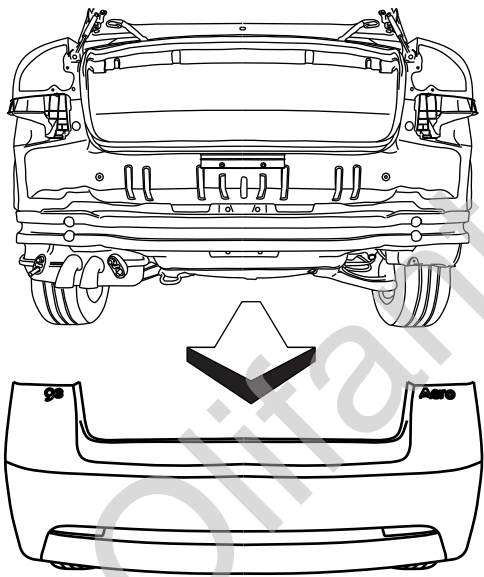
01



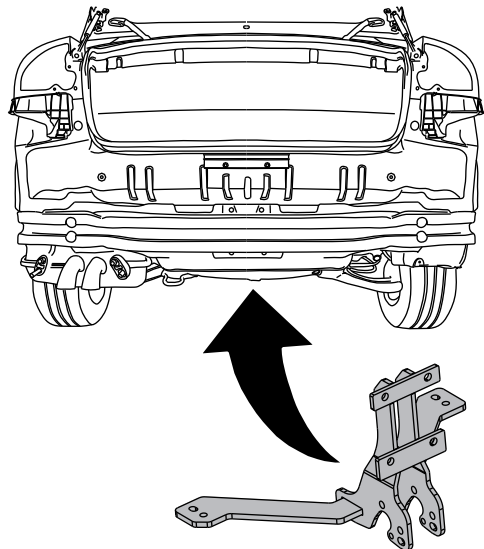
02



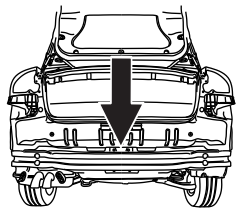
03



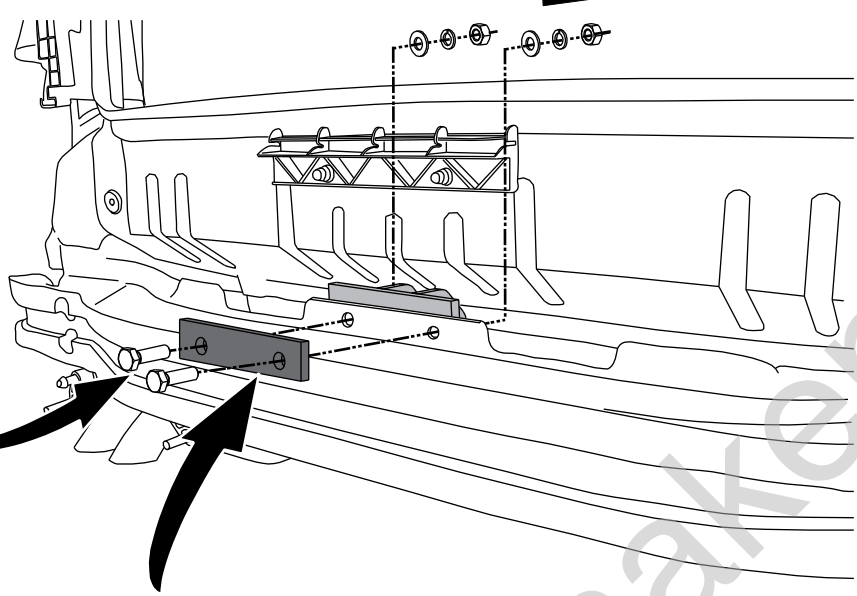
04



05



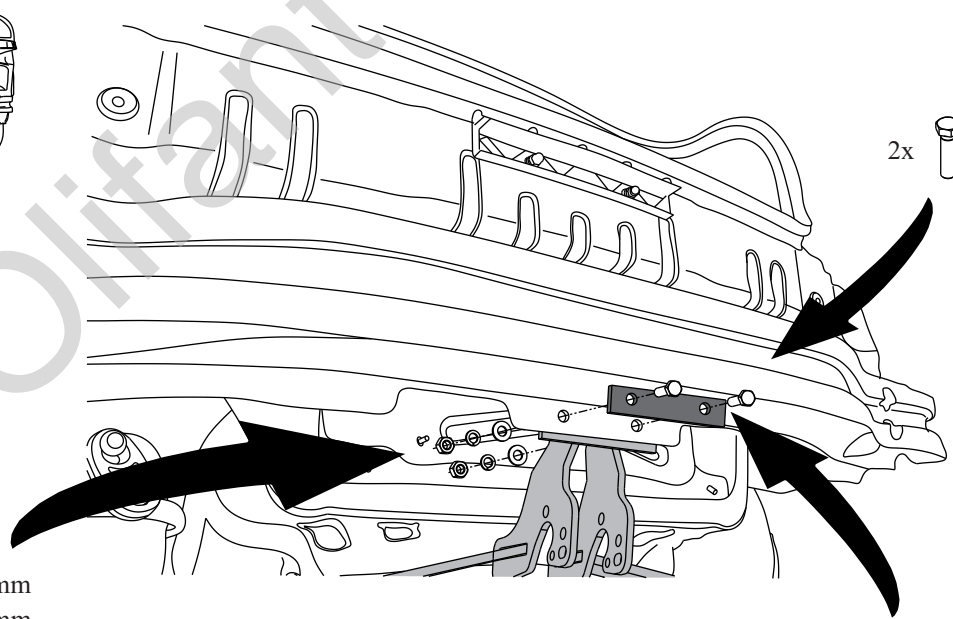
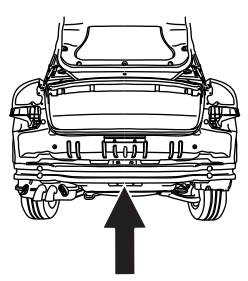
- 2x  $\varnothing 10,5\text{mm}$
- 2x  $\varnothing 10,2\text{mm}$
- 2x M10



- 2x M10x35mm

- 1x 140x30x8mm

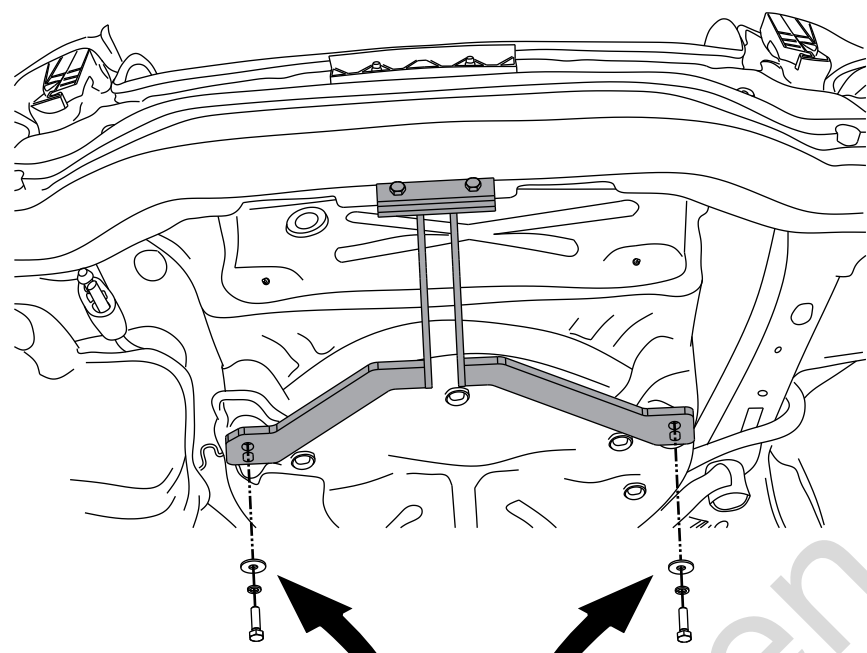
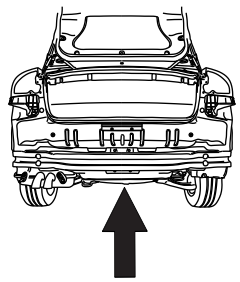
06






- 2x M10x35mm

- 2x  $\varnothing 10,5\text{mm}$
- 2x  $\varnothing 10,2\text{mm}$
- 2x M10

- 1x 140x30x8mm



- 2x  M10x35mm
- 2x   $\varnothing 10,2\text{mm}$
- 2x   $\varnothing 30 \times 10,5 \times 2,5\text{mm}$

