

# AUTO-HAK Sp. z o.o.

ul. Słoneczna 16K 76-200 SŁUPSK  
POLAND

tel/fax +48 59 8 414 414; +48 59 8 414 413

e-mail: [office@autohak.com.pl](mailto:office@autohak.com.pl)

[www.autohak.com.pl](http://www.autohak.com.pl)



# AUTO-HAK

**SAAB 9-3  
4D, CABRIO,  
KOMBI**

**Nr kat.**

**SA01**



**09.2002 → 2010**

**e20**

**e20\*94/20\*1394\*00**



**2h**

**D**

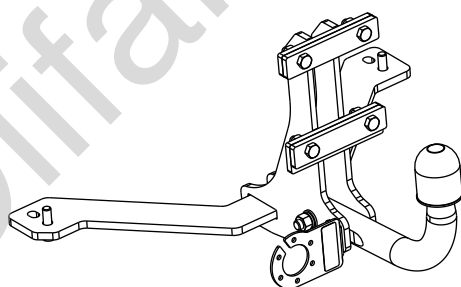
**9,22 kN**



**R=1600 kg**



**S=80 kg**



**FULL VERSION INSTRUCTION**



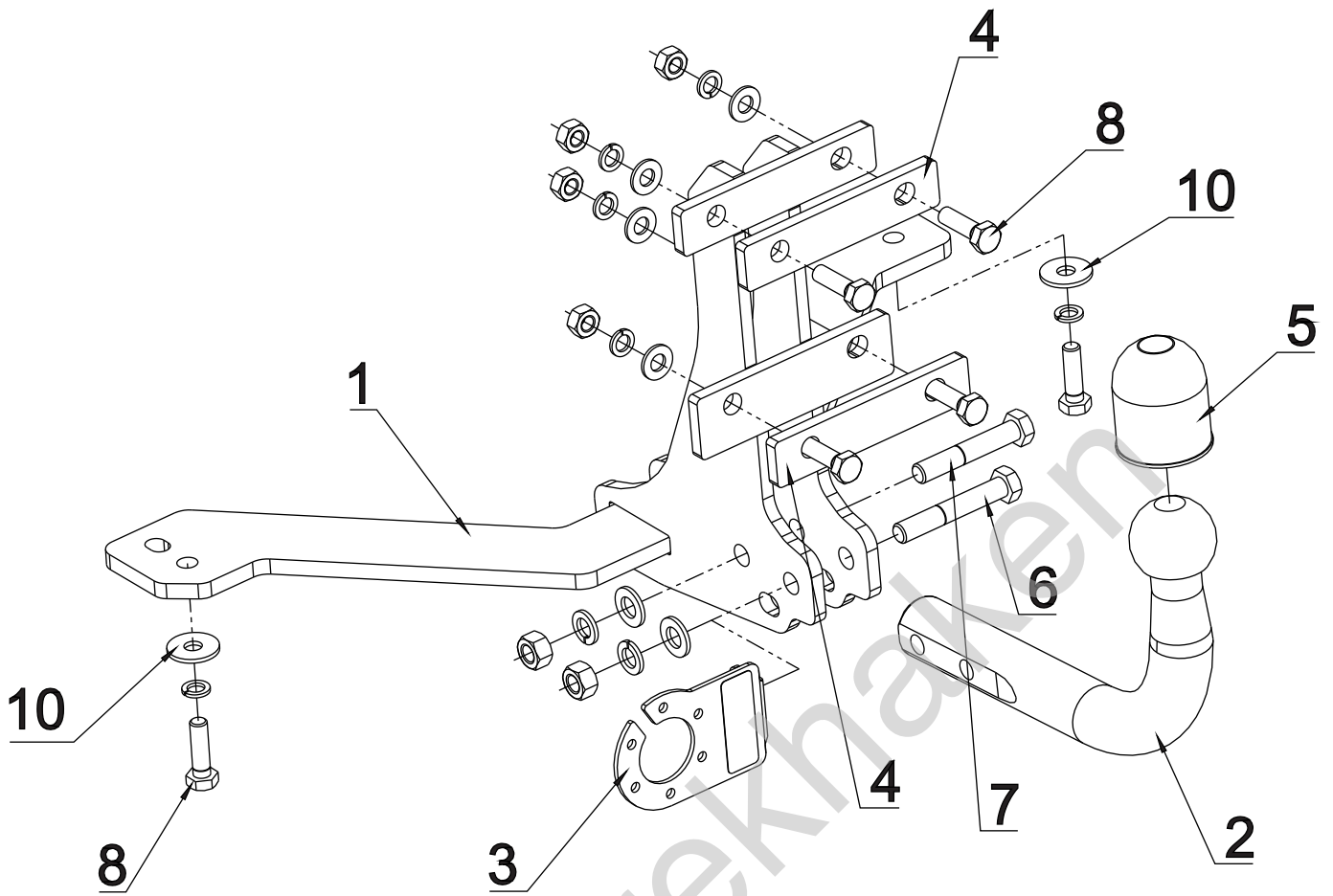
śruba	Nm	M6	M8	M10	M12	M14	M16
klasa 8.8		9,9	24	48	83	132	200
klasa 10.9		14	34	67	117	185	285

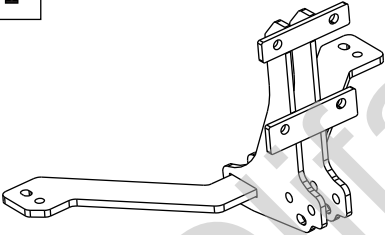
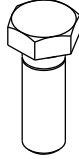
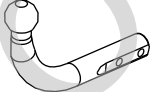

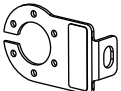

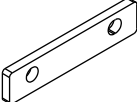

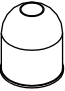








**0 km**

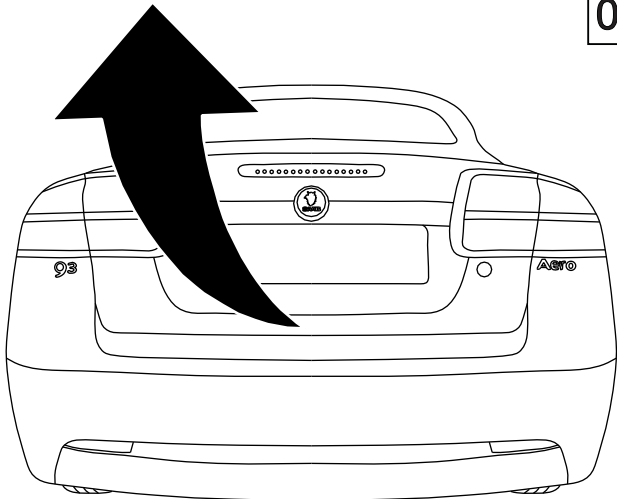


**1000 km**

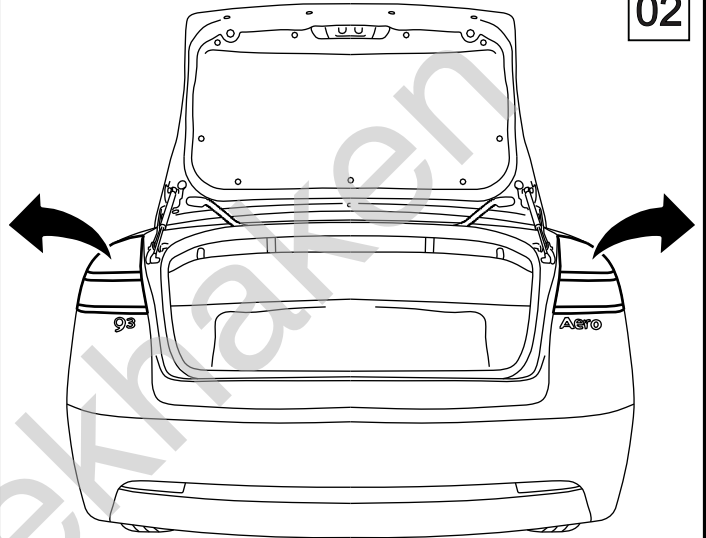


<b>1</b>		<b>x1</b>		<b>6</b> M12x75	<b>x1</b>
<b>2</b>		<b>x1</b> Art. nr-KL1SA01		<b>7</b> M12x70	<b>x1</b>
<b>3</b>		<b>x1</b> Art. nr-BL1SA01		<b>8</b> M10x35	<b>x6</b>
<b>4</b>		<b>x2</b> 140x30x8mm		<b>9</b> $\varnothing$ 13	<b>x2</b>
<b>5</b>		<b>x1</b>		<b>10</b> $\varnothing$ 30x $\varnothing$ 10.5x2.5 10 (DIN 9021)	<b>x2</b>
				<b>11</b> $\varnothing$ 10.5	<b>x4</b>
				<b>12</b> $\varnothing$ 12.2	<b>x2</b>
				<b>13</b> $\varnothing$ 10.2	<b>x6</b>
				<b>14</b> M12	<b>x2</b>
				<b>15</b> M10	<b>x4</b>

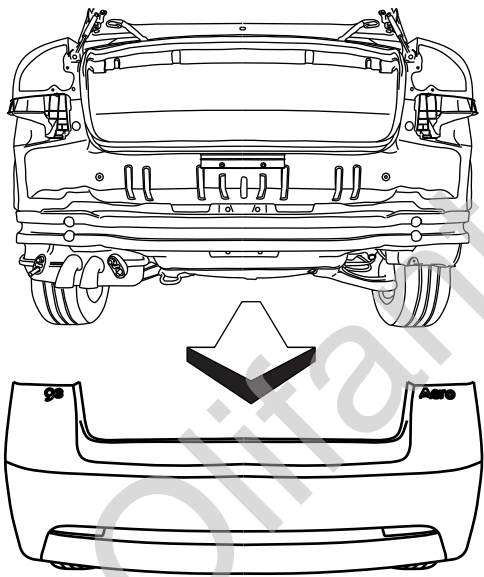
01



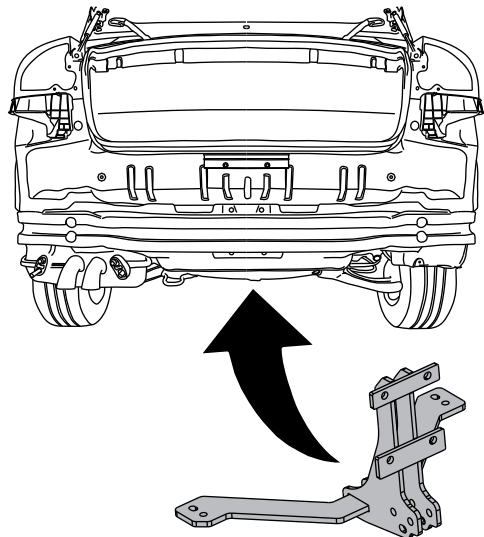
02



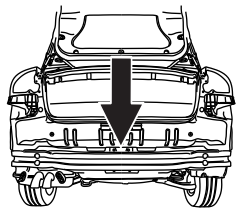
03



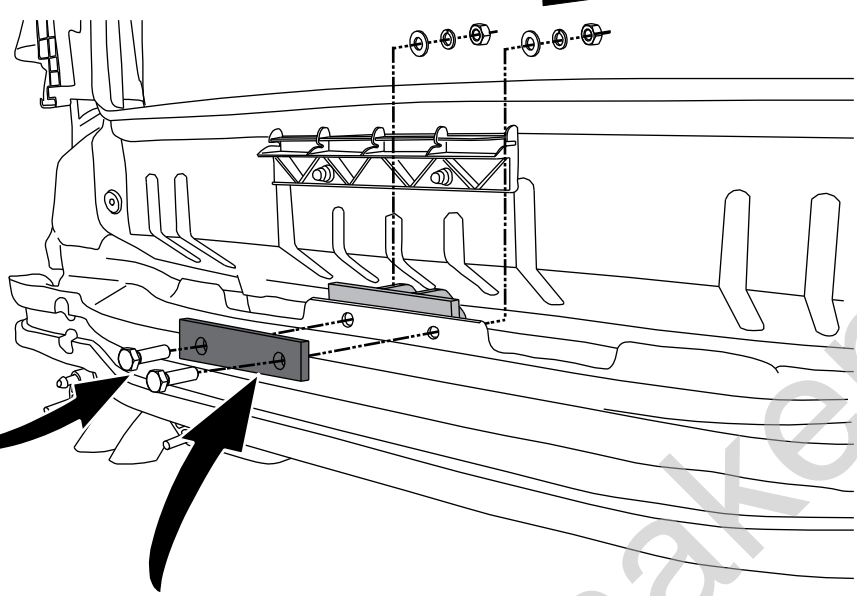
04



05



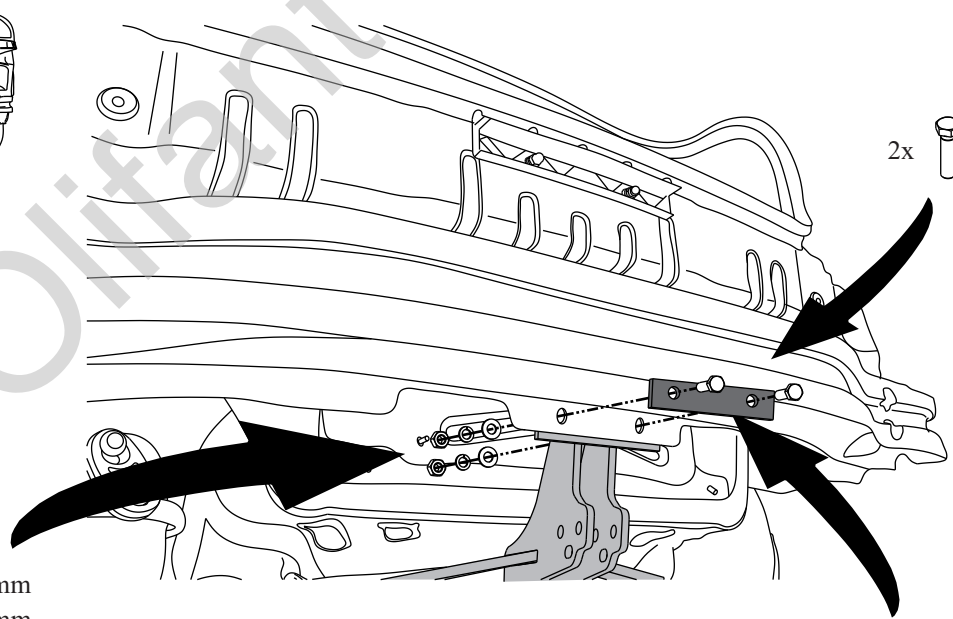
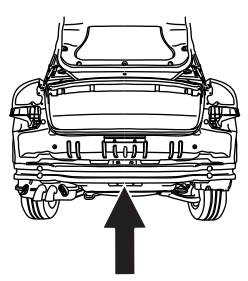
- 2x  $\varnothing 10,5\text{mm}$
- 2x  $\varnothing 10,2\text{mm}$
- 2x M10



- 2x M10x35mm

- 1x 140x30x8mm

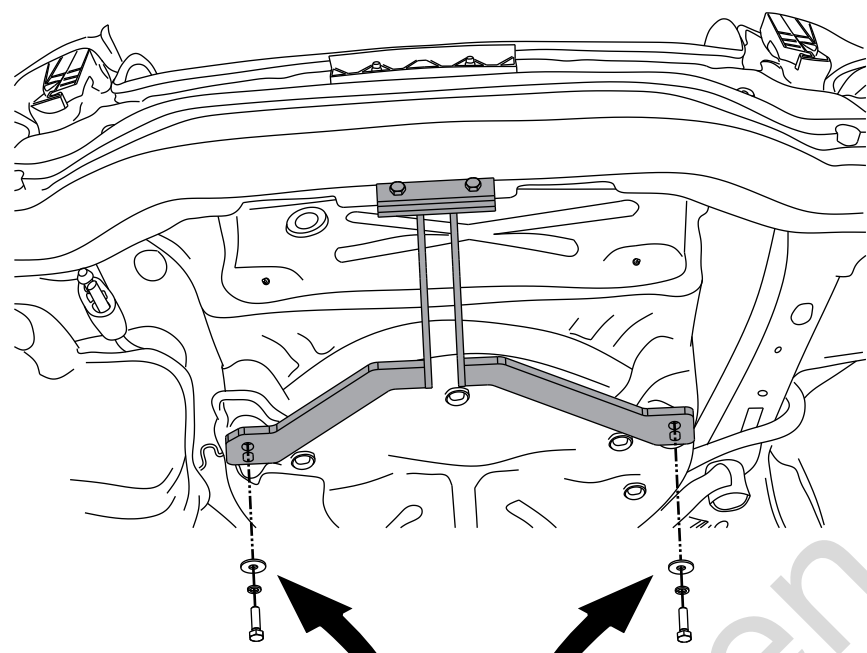
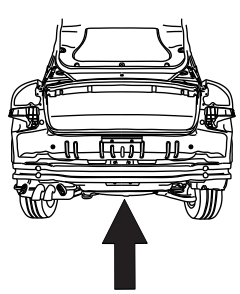
06






- 2x M10x35mm

- 2x  $\varnothing 10,5\text{mm}$
- 2x  $\varnothing 10,2\text{mm}$
- 2x M10

- 1x 140x30x8mm



- 2x  M10x35mm
- 2x   $\varnothing 10,2\text{mm}$
- 2x   $\varnothing 30 \times 10,5 \times 2,5\text{mm}$

