

# AUTO-HAK Sp. z o.o.

ul. Słoneczna 16K 76-200 SŁUPSK  
POLAND

tel/fax +48 59 8 414 414; +48 59 8 414 413

e-mail: [office@autohak.com.pl](mailto:office@autohak.com.pl)

[www.autohak.com.pl](http://www.autohak.com.pl)



# AUTO-HAK

## FIAT 600



06.2023 →

Nr kat.

R65



E20\*55R02\*6892



2h

D

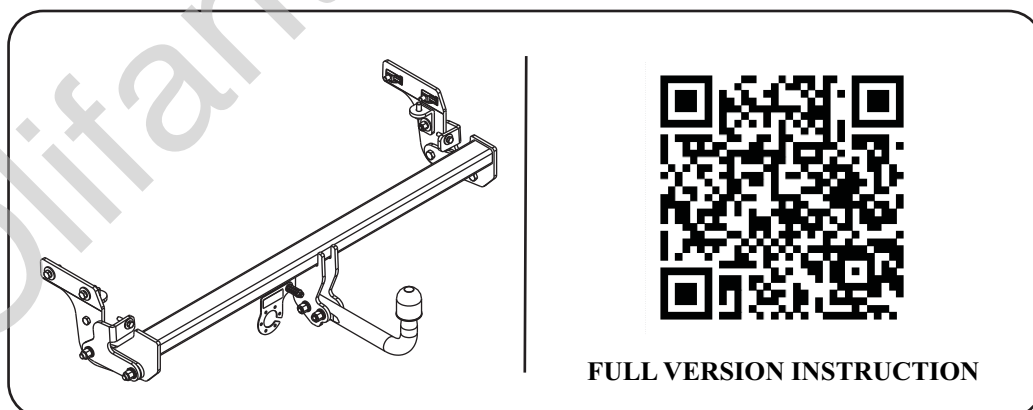
9,0 kN



R=1750 kg



S=75 kg



FULL VERSION INSTRUCTION



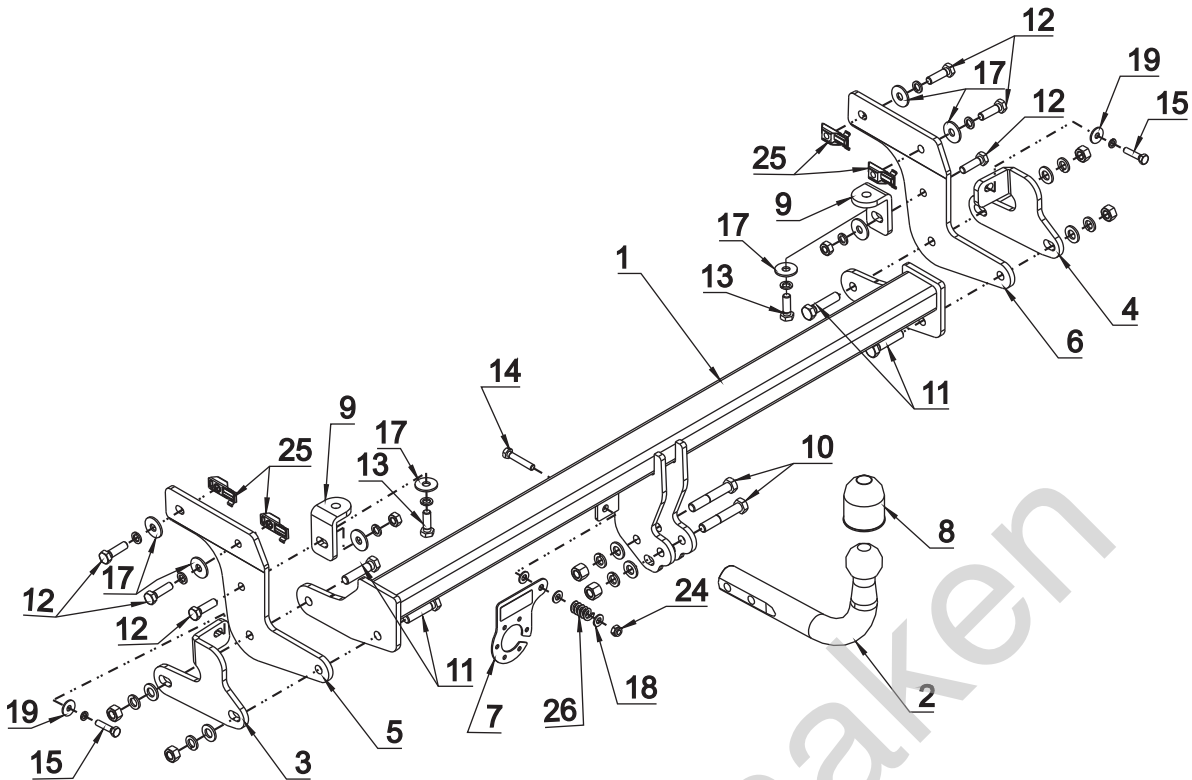
śruba	Nm	M6	M8	M10	M12	M14	M16
klasa 8.8		9,9	24	48	83	132	200
klasa 10.9		14	34	67	117	185	285

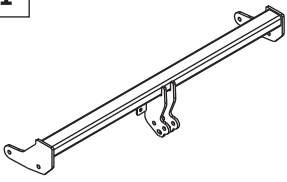
















0 km



1000 km



1		x1		10 M12x70	x2
				11 M12x50	x4
				12 M10x35	x6
				13 M10x30	x2
				14 M8x45	x1
				15 M8x35	x2
2		x1		16 $\varnothing$ 13	x6
	Art.nr-KL1R65			17 $\varnothing$ 30x $\varnothing$ 10.5x2.5 10 (DIN 9021)	x8
3		x1		18 $\varnothing$ 8.4	x3
4		x1		19 $\varnothing$ 24x $\varnothing$ 8.5x2 8 (DIN 9021)	x2
5		x1		19 $\varnothing$ 12.2	x6
6		x1		20 $\varnothing$ 10.2	x8
				21 $\varnothing$ 8.2	x2
7		x1		22 M12	x6
	Art.nr-BL1R65			23 M10	x2
8		x1		24 M8 (DIN985)	x1
9		x2	25		x4
			26		x1

