

AUTO-HAK Sp. z o.o.

ul. Słoneczna 16K 76-200 SŁUPSK
POLAND

tel/fax +48 59 8 414 414; +48 59 8 414 413

e-mail: office@autohak.com.pl

www.autohak.com.pl




AUTO-HAK

FIAT TIPO KOMBI


Nr kat.


R62

 2017 →

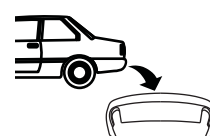
 **E20** E20-55R-02 5176

D 9,0 kN

 **R=1500 kg**

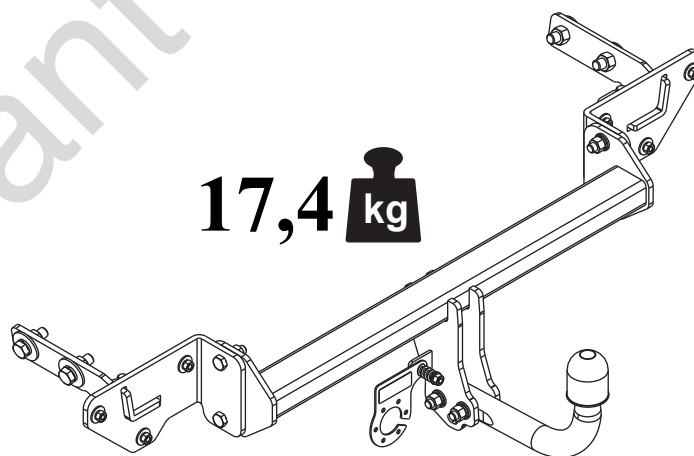
 **S=90 kg**

 **2h**



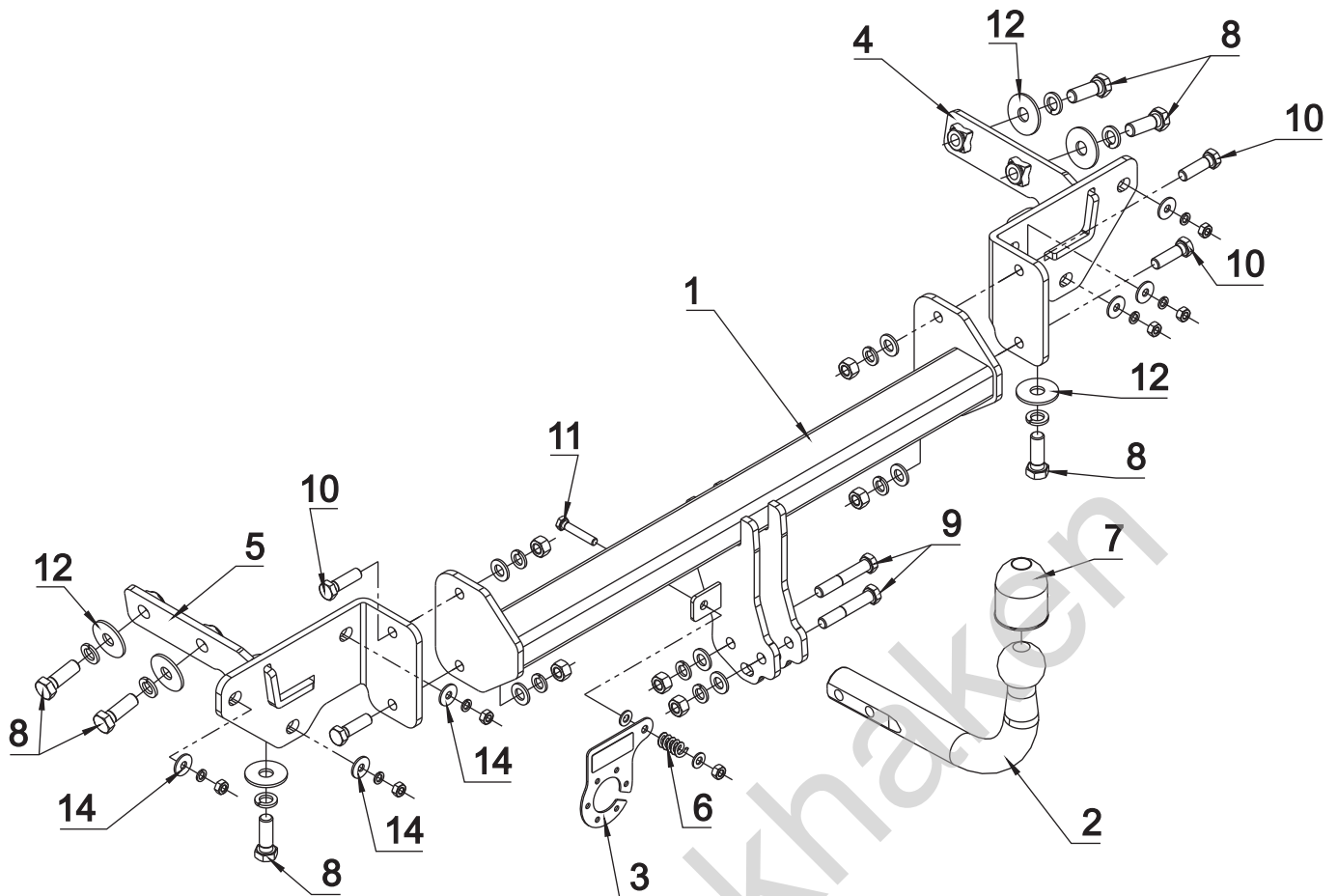


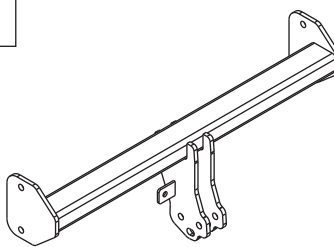

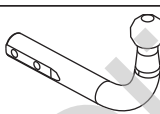





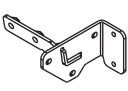

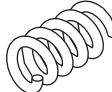
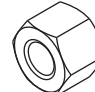

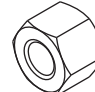
17,4 kg 



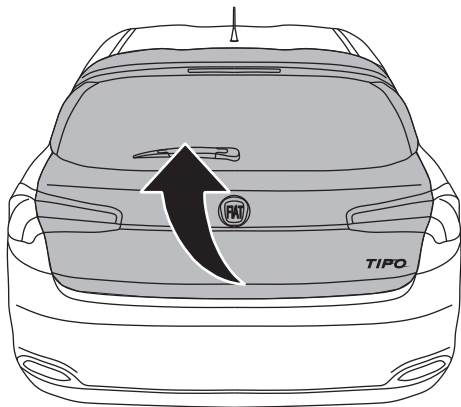
śruba	Nm	M6	M8	M10	M12	M14	M16
klasa 8.8		9,9	24	48	83	132	200
klasa 10.9		14	34	67	117	185	285

 0 km →  1000 km

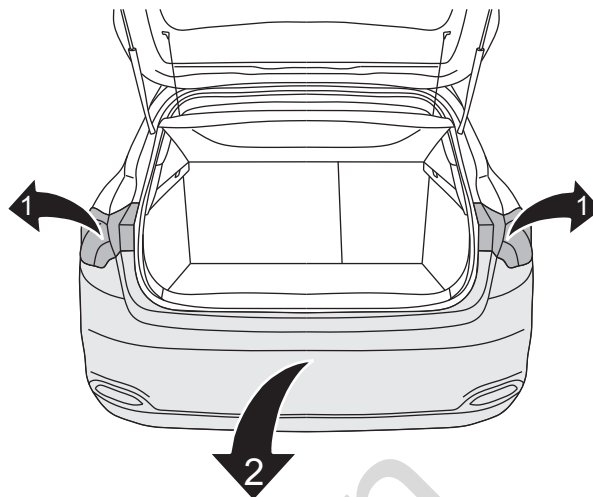


1		x1		8	M14x40	x6
				9	M12x70	x2
2		x1		10	M12x40	x4
				11	M8x45	x1
3		x1		12	∅ 44x∅15x3 15 DIN 9021	6
				13	∅ 13	x6
4		x1		14	∅ 24x∅8.4x2 8 DIN 9021	6
				15	∅ 8.5	x2
5		x1		16	∅ 14.2	x6
				17	∅ 12.2	x6
6		x1		18	∅ 8.2	x6
				19	M12	x6
7		x1		20	M8	x7

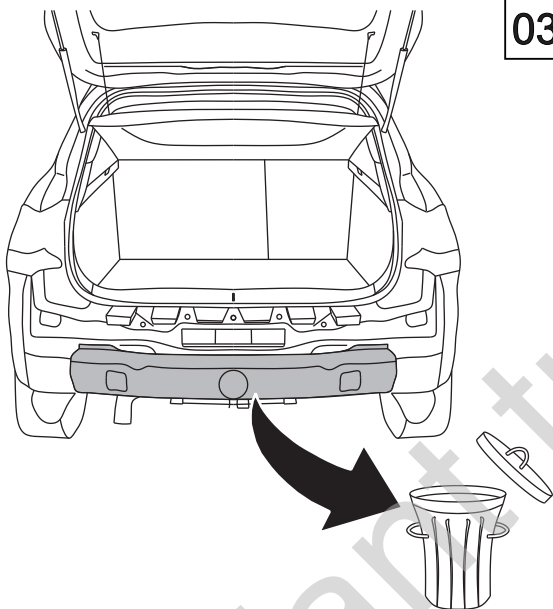
01



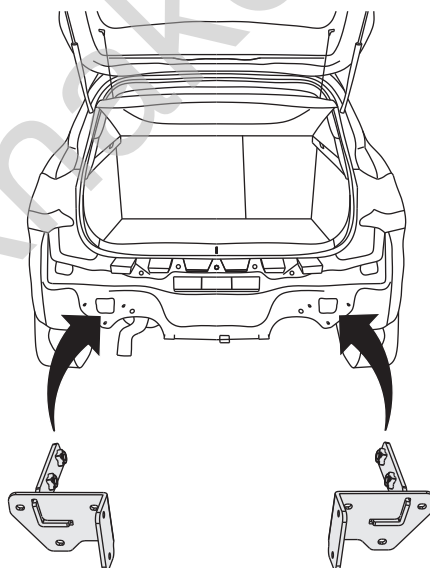
02



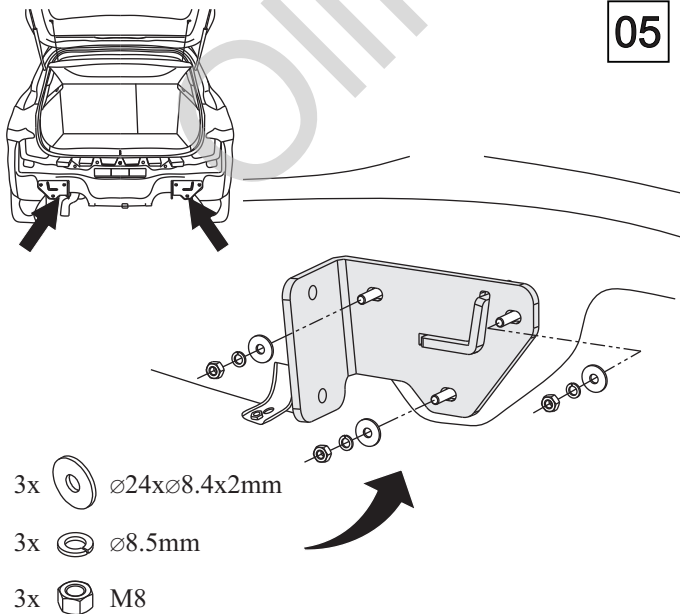
03



04



05



06

