

PPUH AUTO-HAK Sp.J.

Henryk i Zbigniew Nejman
ul. Słoneczna 16K 76-200 SŁUPSK
POLAND

tel/fax +48 59 8 414 414; +48 59 8 414 413

e-mail: office@autohak.com.pl

www.autohak.com.pl



AUTO-HAK



FIAT TIPO 4D

Cat. no:

R57



02.2016 →



E20-55R-01 4726



8,7 kN



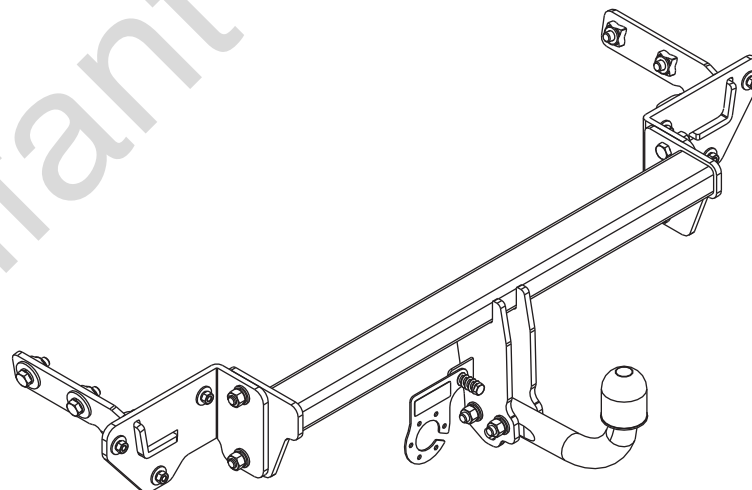
R=1500 kg



S=100 kg



2h



M6 - 8,5 Nm
M10 - 41 Nm
M14 - 112 Nm

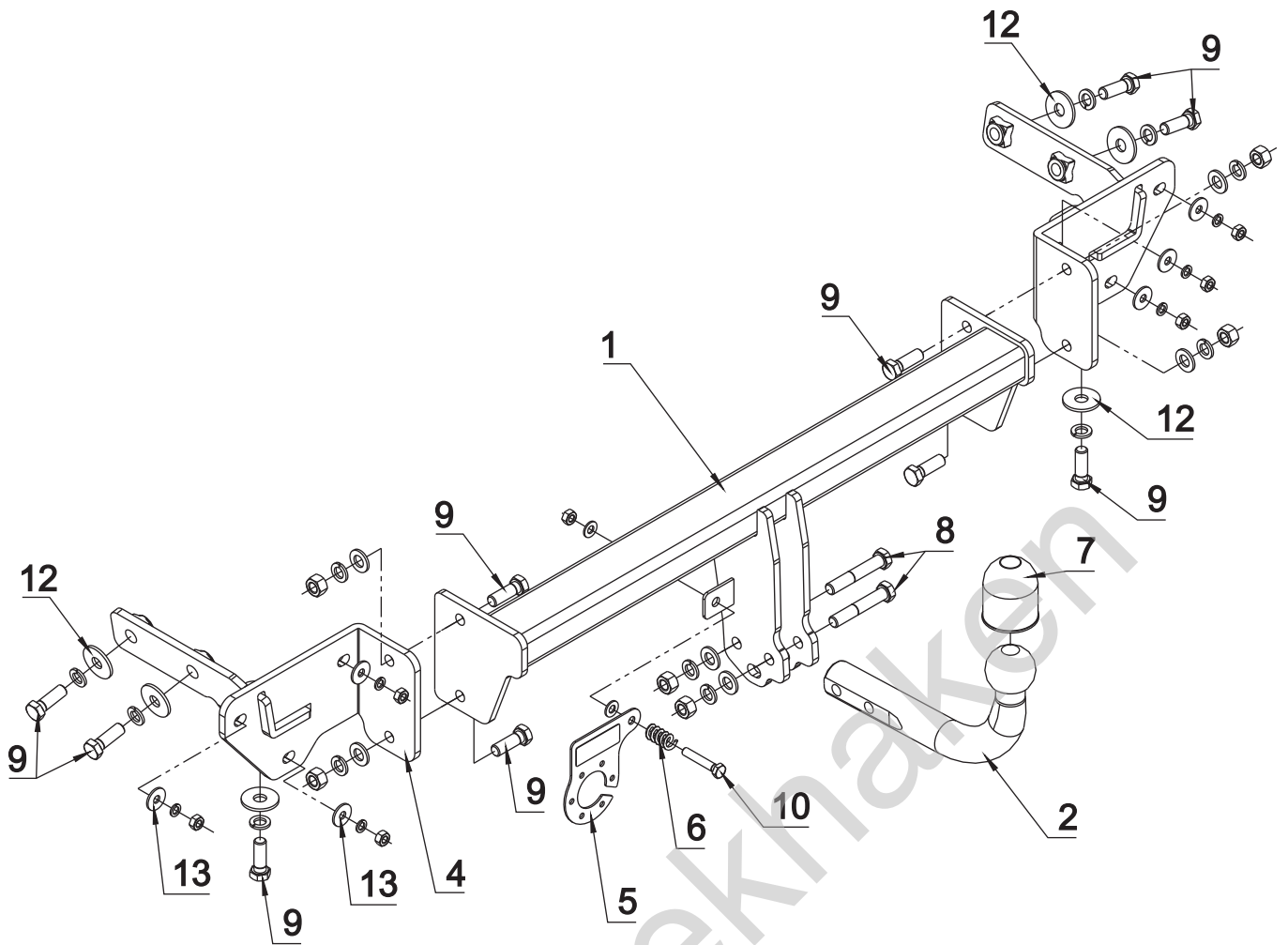
M8 - 20 Nm
M12 - 70 Nm
M16 - 170 Nm

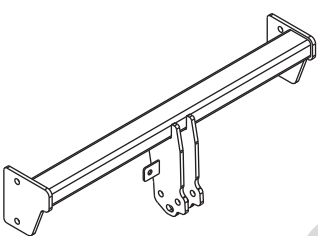


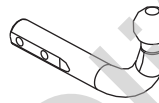

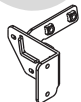


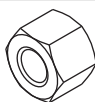




0 km →

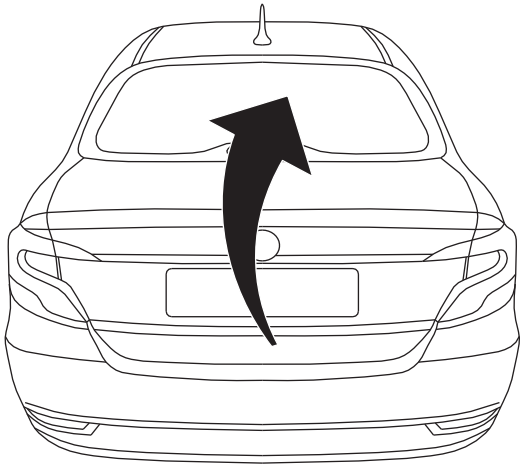


1000 km

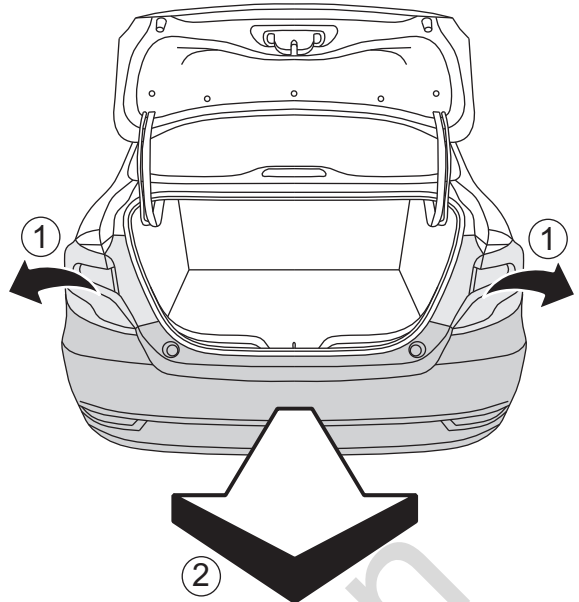


1		x1		8	M12x70	x2
				9	M12x35	x10
				10	M8x45	x1
				11	∅ 13	x6
				12	∅ 37x∅13x3	6
2		x1		13	DIN 9021	
	Art.nr-KL1R57			13	∅ 24x∅8.4x2	6
				8	DIN 9021	
3		x1		14	∅ 8.5	x2
4		x1		15	∅ 12.2	x12
				16	∅ 8.2	x6
5		x1		17	M12	x6
	Art.nr-BL1R57			18	M8	x7
6		x1				
7		x1				

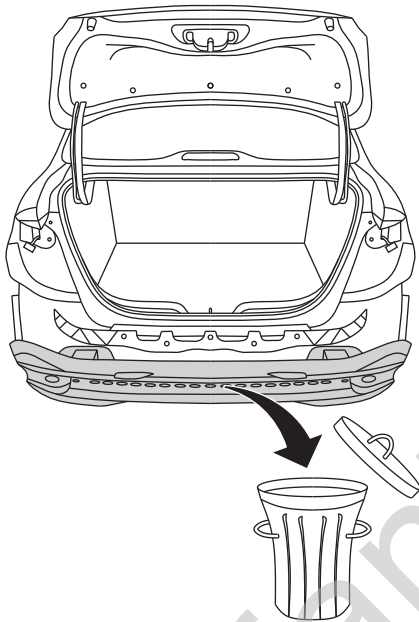
01



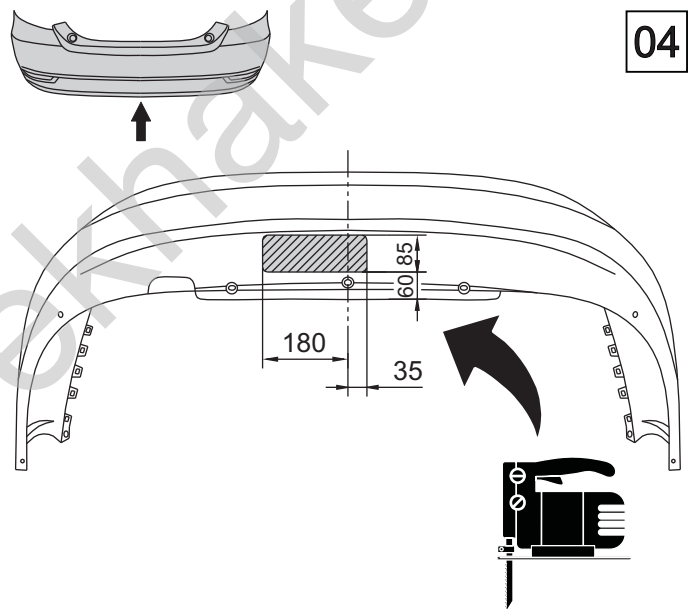
02



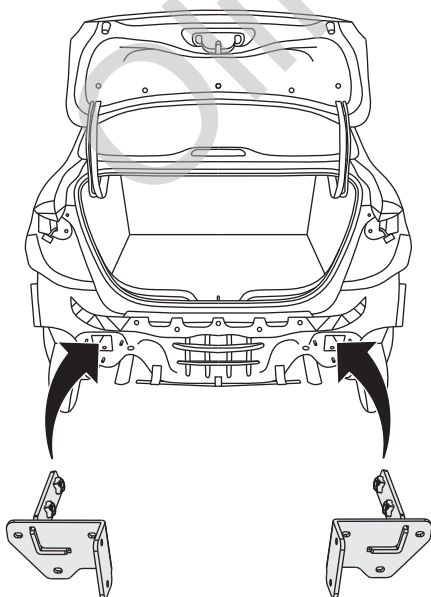
03



04



05



06

