

# PPUH AUTO-HAK Sp.J.

Henryk i Zbigniew Nejman  
ul. Słoneczna 16K 76-200 SŁUPSK  
POLAND

tel/fax +48 59 8 414 414; +48 59 8 414 413

e-mail: [office@autohak.com.pl](mailto:office@autohak.com.pl)

[www.autohak.com.pl](http://www.autohak.com.pl)



# AUTO-HAK



**FIAT 500X**  
CITY LOOK, 4x4,  
OFF ROAD LOOK

Cat. no:

**R56A**



07.2014 →



E20-55R-01 4355



1,5h



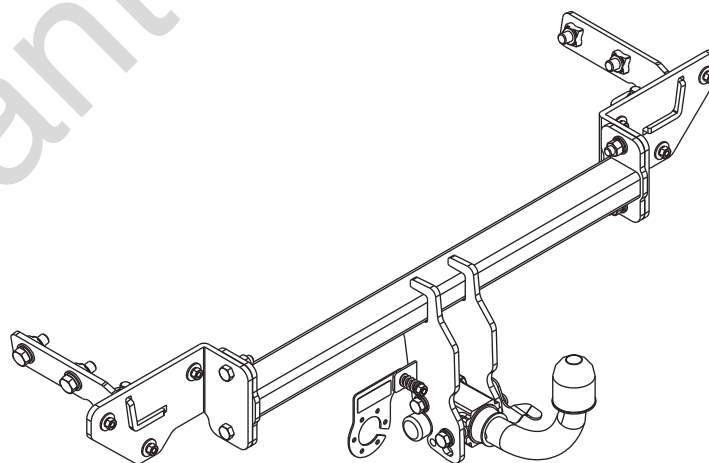
8,7 kN



R=1500 kg



S=100 kg



M6 - 11 Nm  
M10 - 50 Nm  
M14 - 138 Nm

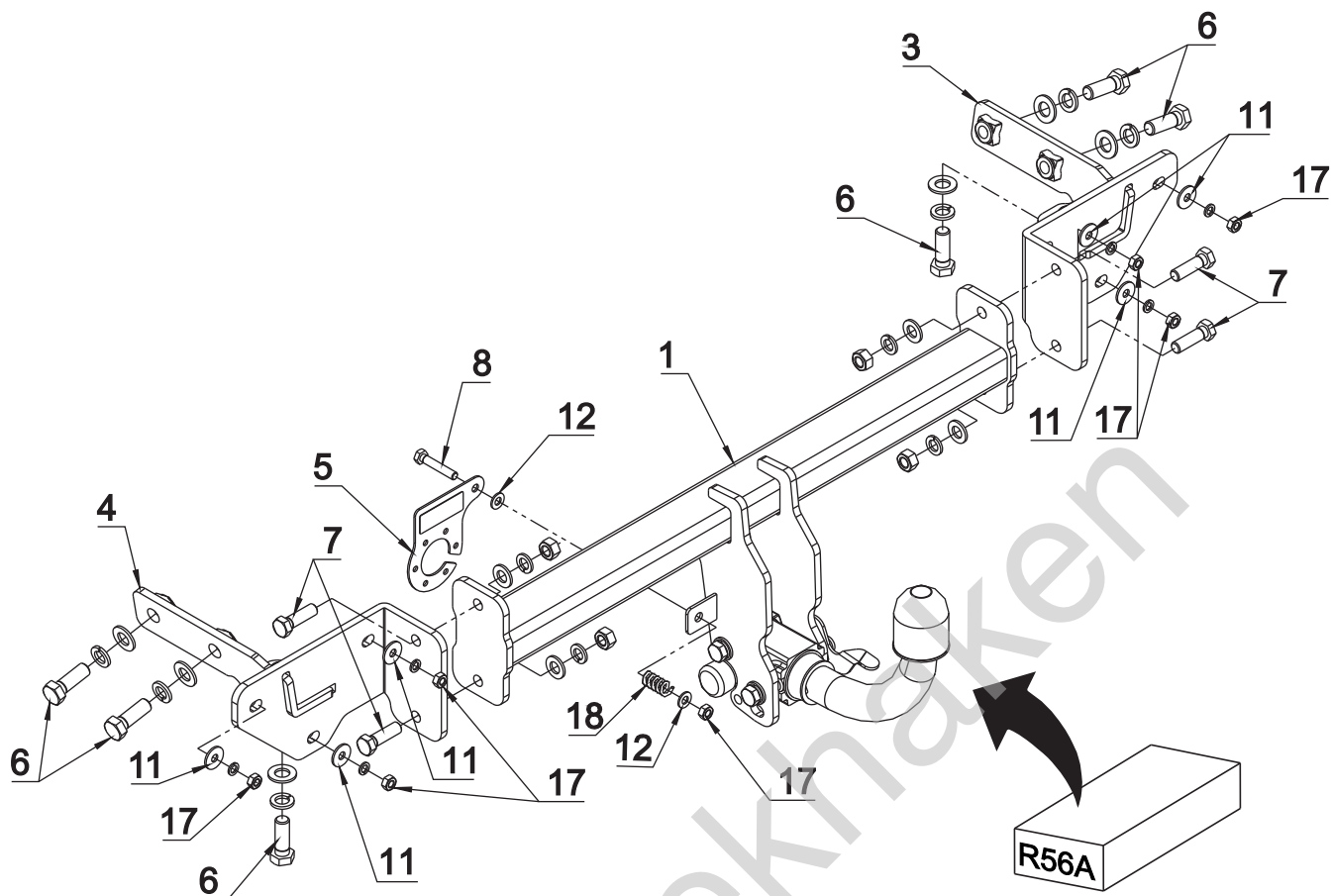
M8 - 25 Nm  
M12 - 87 Nm  
M16 - 210 Nm

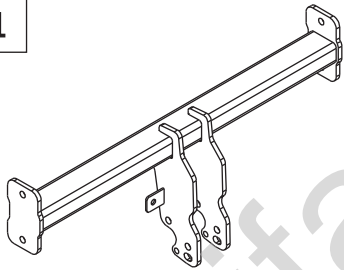

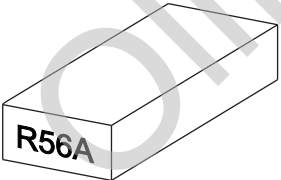

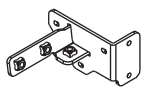

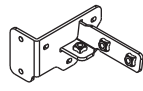

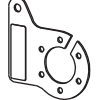

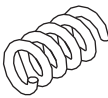


0 km →



1000 km



1		x 1		6	M 14x40	x 6
2		x 1		7	M 12x40	x 4
	Art.nr-Z100 Art.nr-KL1R56A			8	M 8x45	x 1
3		x 1		9	∅ 15	x 6
4		x 1		10	∅ 13	x 4
5		x 1		11	∅ 24x∅8.5x2 8 (DIN 9021)	x 6
	Art.nr-BL1R56A			12	∅ 8.2	x 2
				13	∅ 14.2	x 6
				14	∅ 12.2	x 4
				15	∅ 8.2	x 6
				16	M 12	x 4
				17	M 8	x 7
			18			x 1

