

AUTO-HAK Sp. z o.o.

ul. Słoneczna 16K 76-200 SŁUPSK
POLAND

tel/fax +48 59 8 414 414; +48 59 8 414 413

e-mail: office@autohak.com.pl

www.autohak.com.pl



AUTO-HAK

FIAT PANDA III

tylko 2WD

~~CROSS~~, ~~CITY LIFE~~

Nr kat.

R51A



10.2012 →



E20-55R-01 2986



2h

D

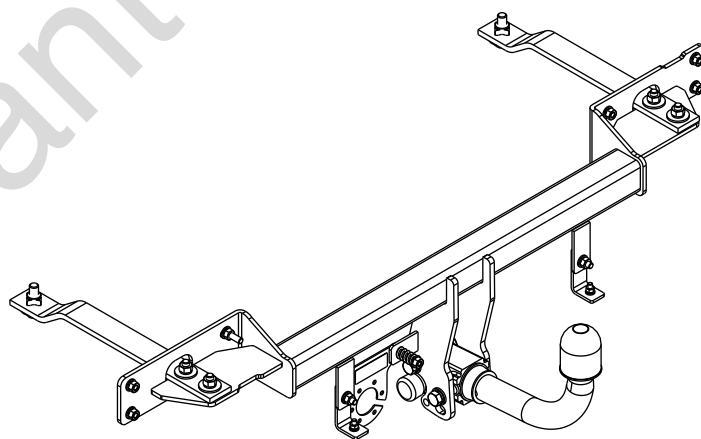
6,1 kN



R=1000 kg



S=70 kg



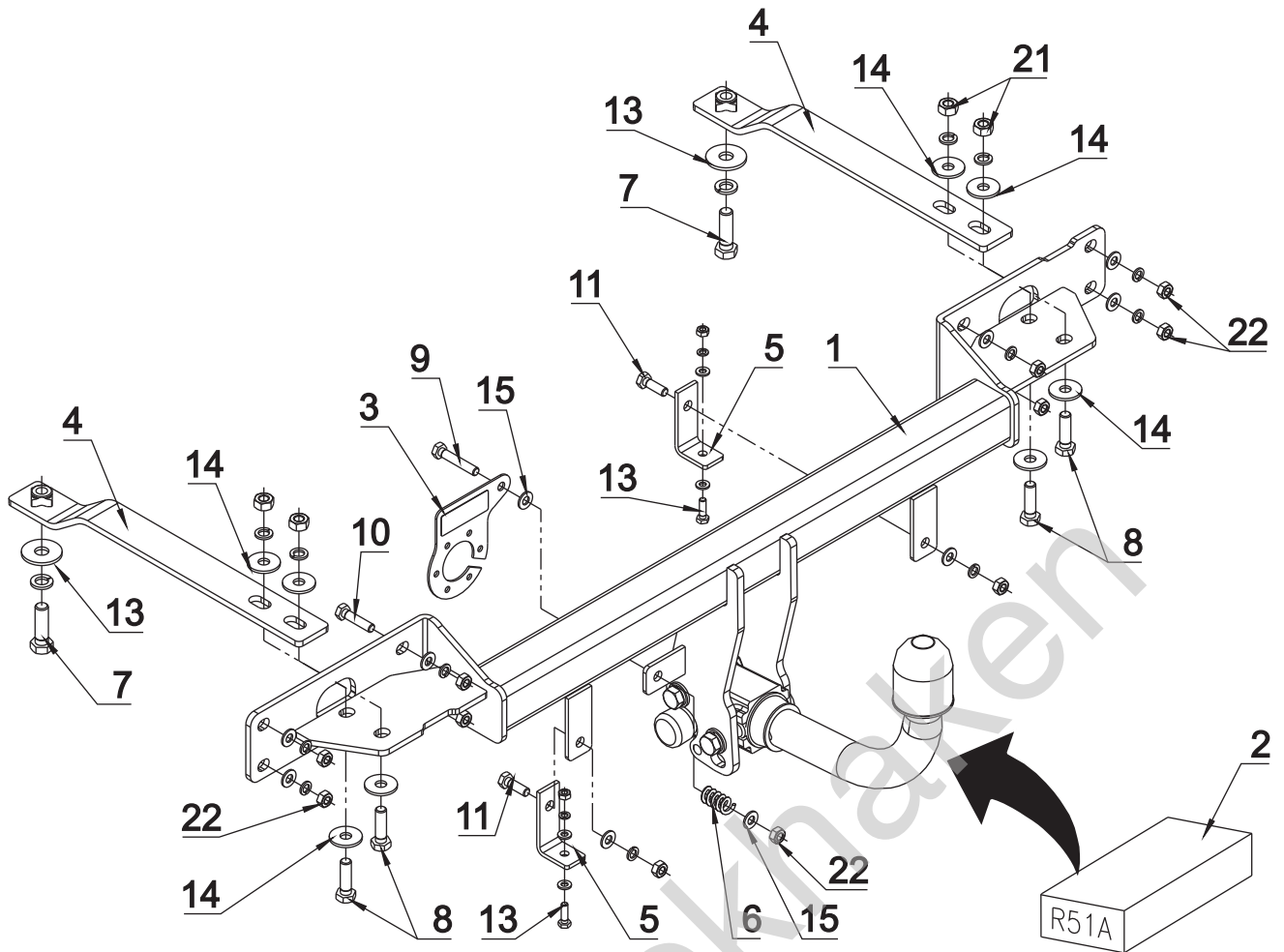
śruba	Nm	M6	M8	M10	M12	M14	M16
klasa 8.8		9,9	24	48	83	132	200
klasa 10.9		14	34	67	117	185	285



0 km →



1000 km



1		x1		7	M12x40	x2
				8	M10x35	x4
2		x1		9	M8x45	x1
				10	M8x35	x1
3		x1		11	M8x25	x2
				12	M6x20	x2
4		x2		13	∅ 37x∅13x3 13 (DIN 9021)	x2
				14	∅ 30x∅10.5x2.5 10 (DIN 9021)	x8
5		x2		15	∅ 8,4	x12
				16	∅ 6,4	x4
6		x1		17	∅ 12.2	x2
				18	∅ 10.2	x4
6		x1		19	∅ 8.2	x10
				20	∅ 6.1	x2
6		x1		21	M10	x4
				22	M8	x11
				23	M6	x2

