

AUTO-HAK Sp. z o.o.

ul. Słoneczna 16K 76-200 SŁUPSK
POLAND

tel/fax +48 59 8 414 414; +48 59 8 414 413

e-mail: office@autohak.com.pl

www.autohak.com.pl



AUTO-HAK

FIAT PANDA III

tylko 2WD

~~CROSS~~, ~~CITY LIFE~~

Nr kat.

R51



10.2012 →



E20-55R-01 2978



2h

D

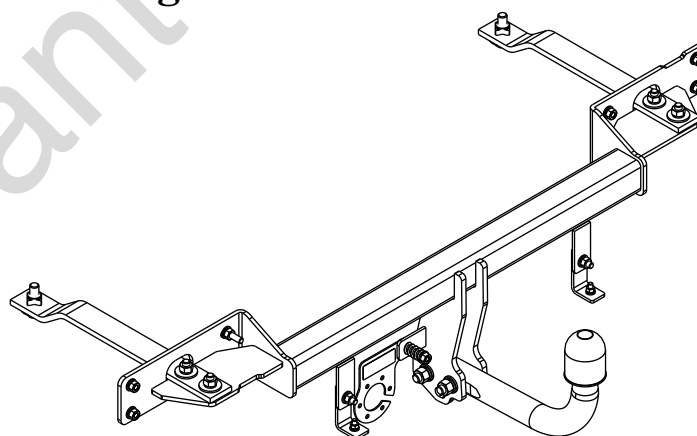
6,1 kN



R=1000 kg



S=70 kg



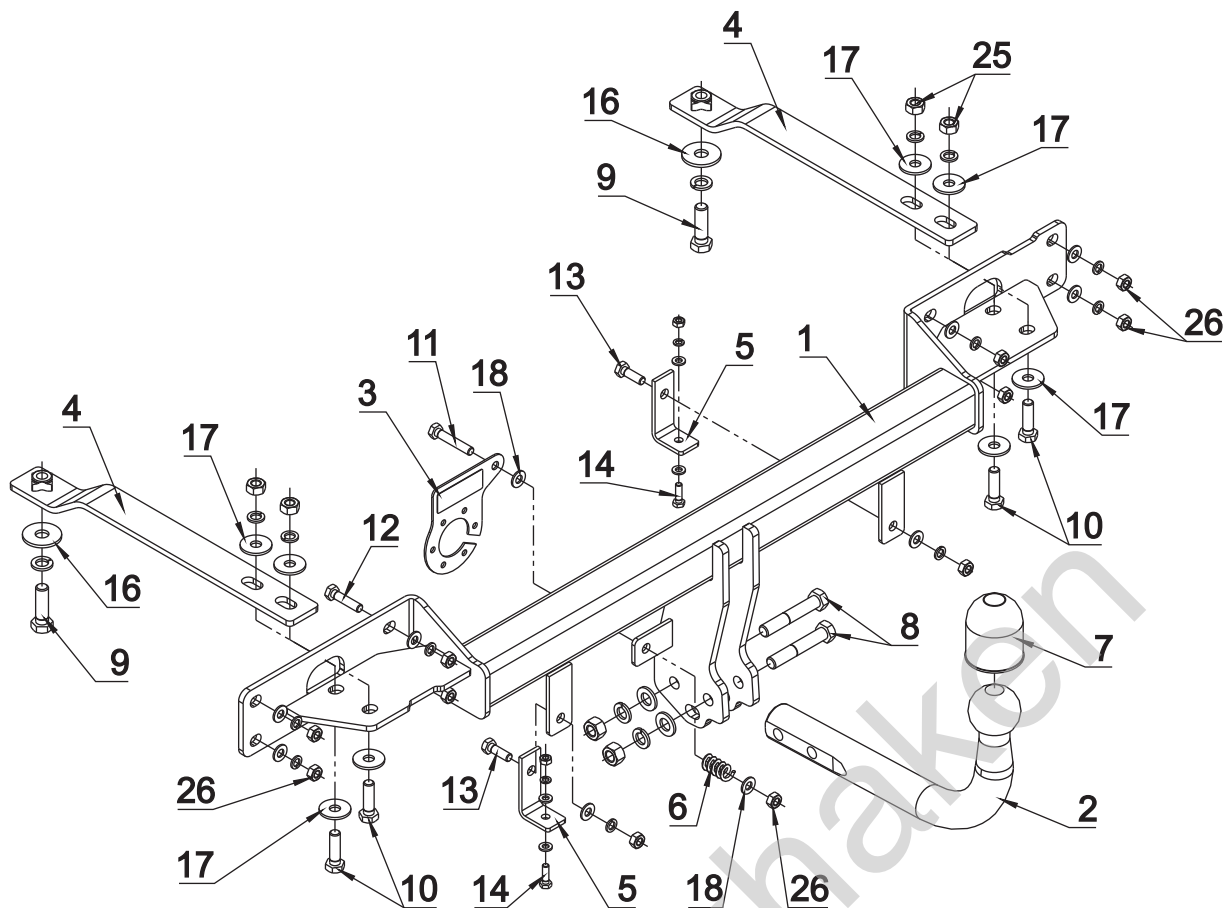
śruba	Nm	M6	M8	M10	M12	M14	M16
klasa 8.8		9,9	24	48	83	132	200
klasa 10.9		14	34	67	117	185	285

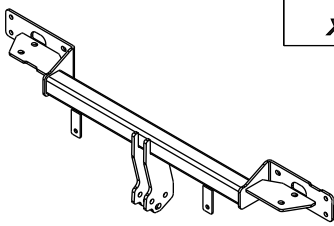


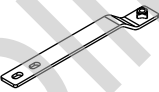
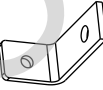




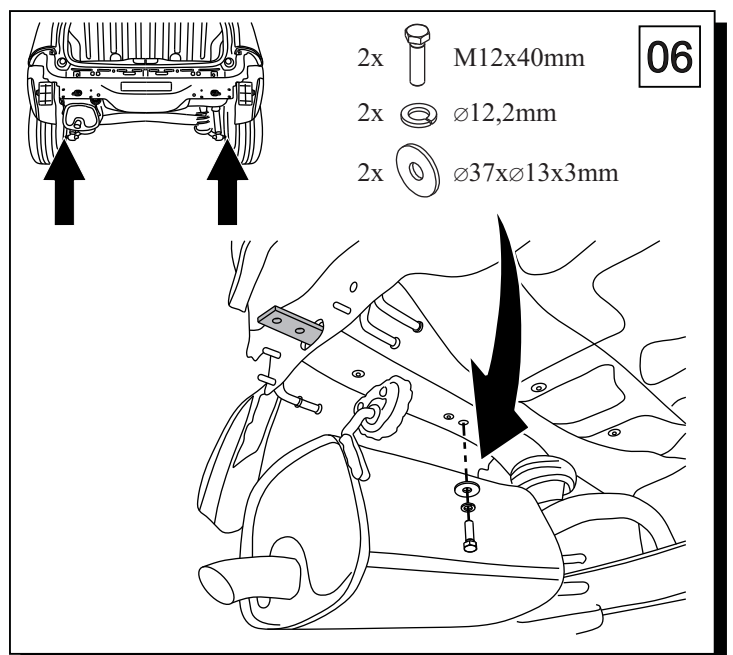
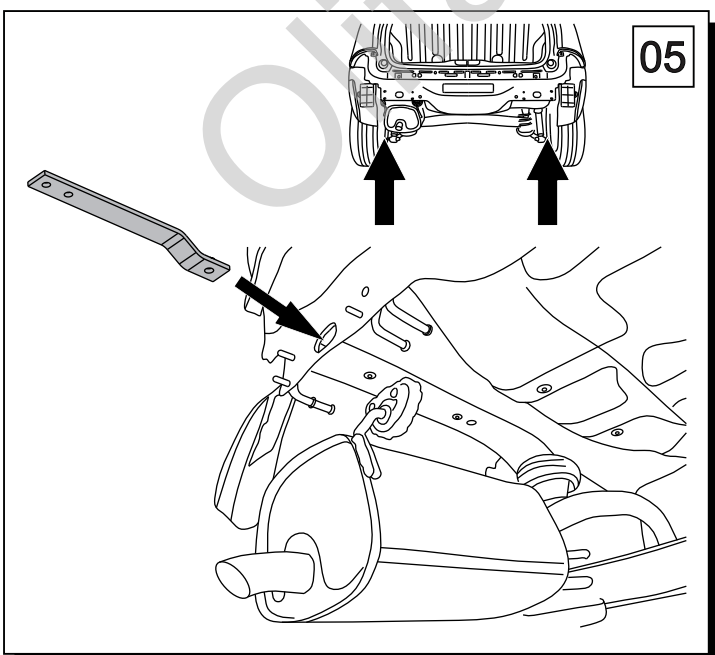
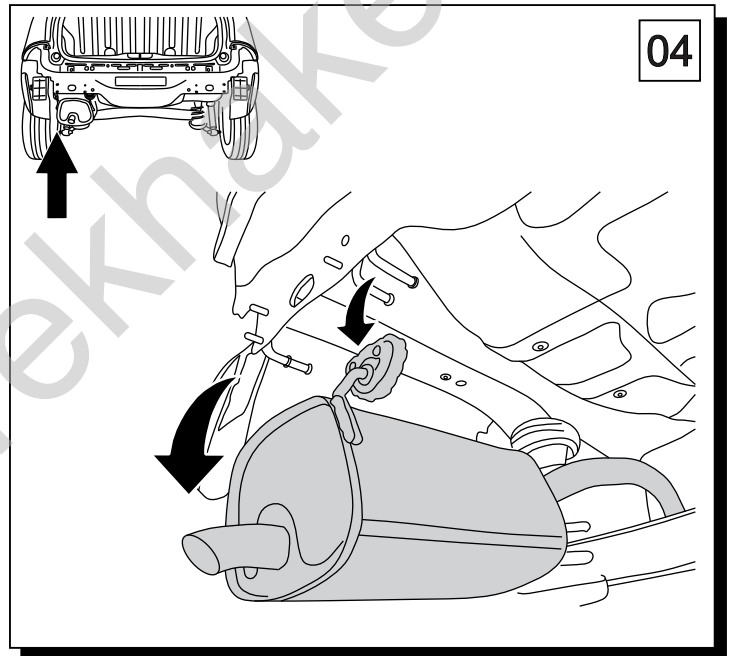
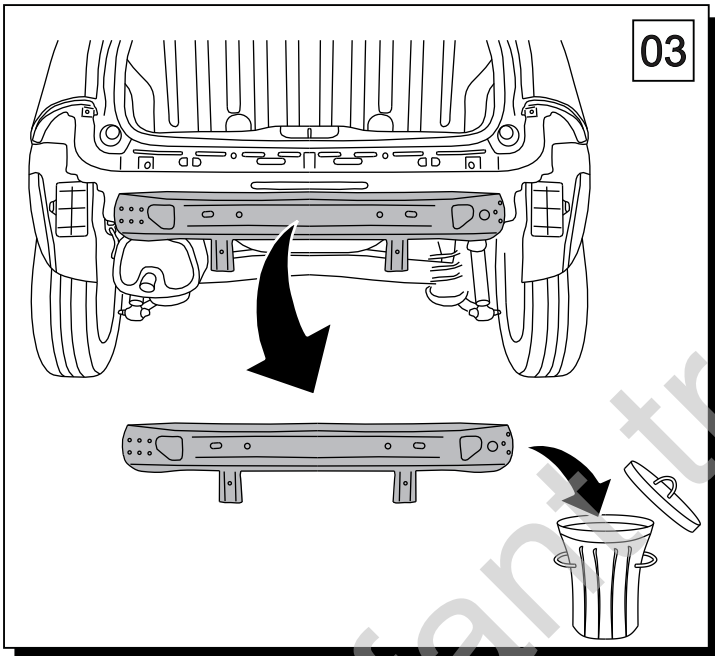
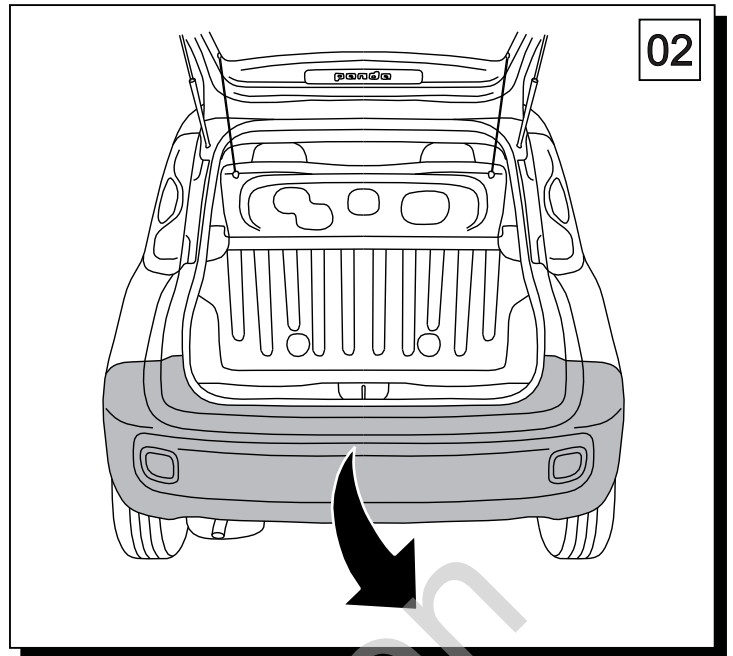
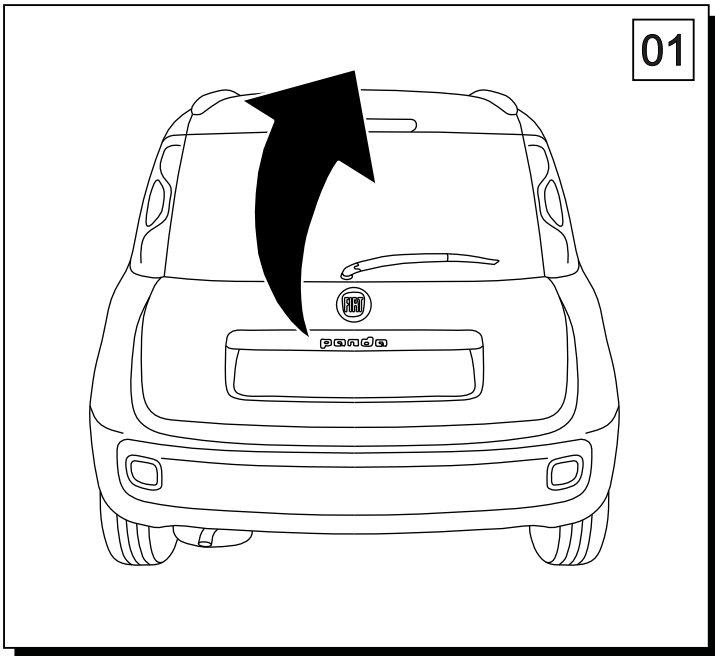
0 km →

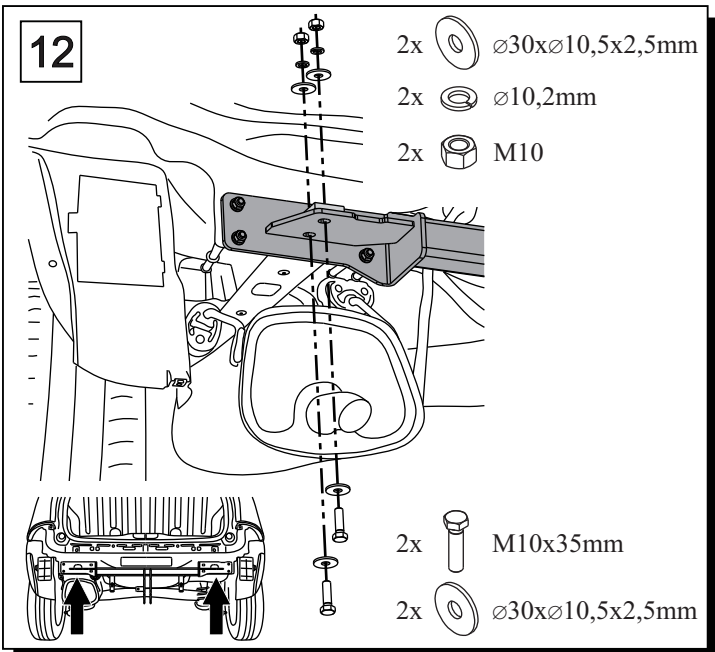
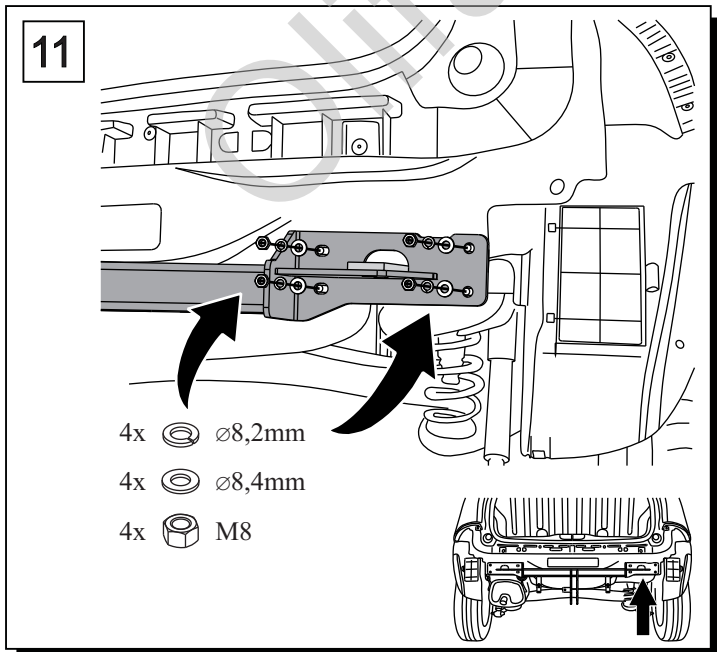
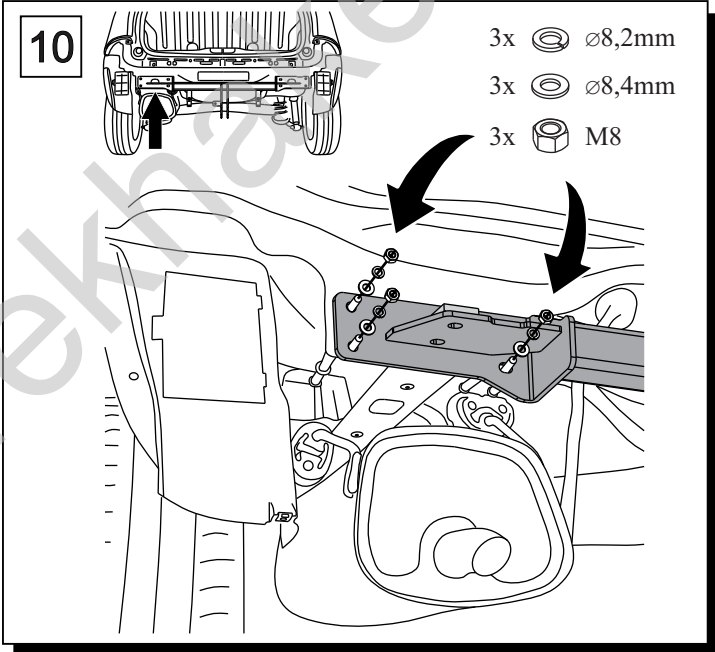
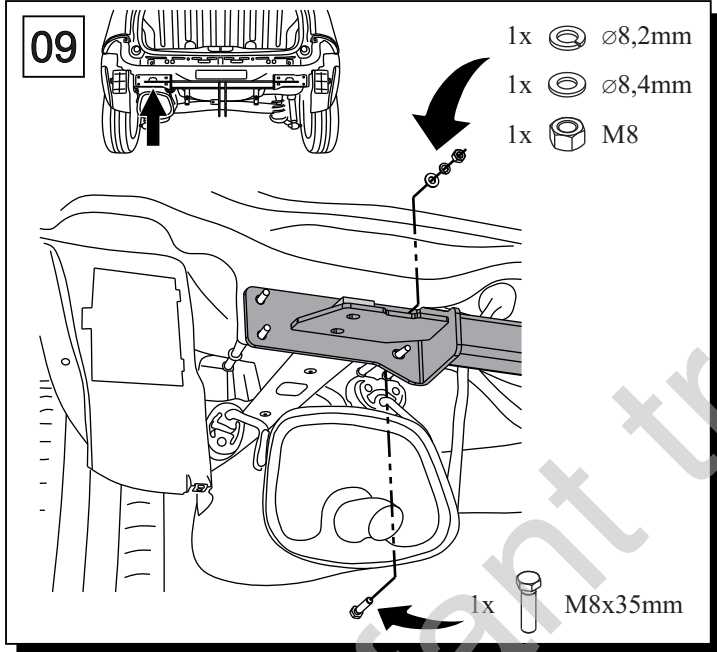
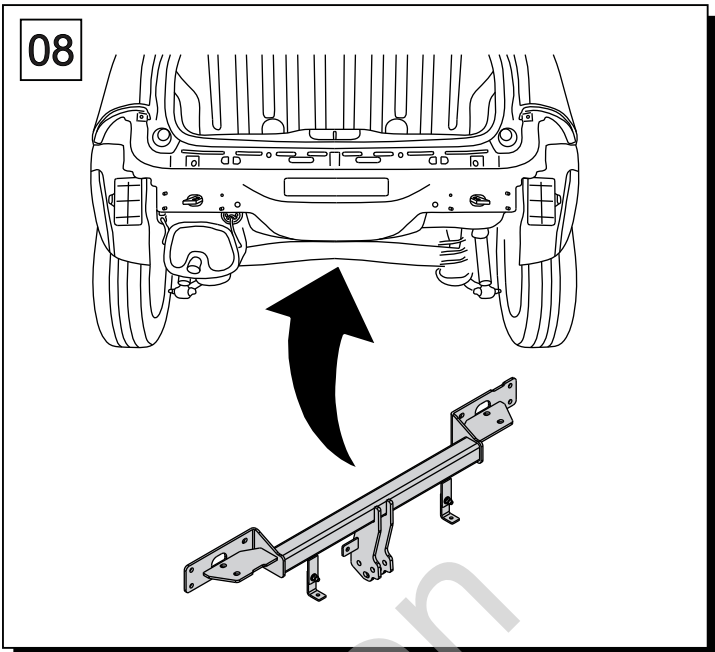
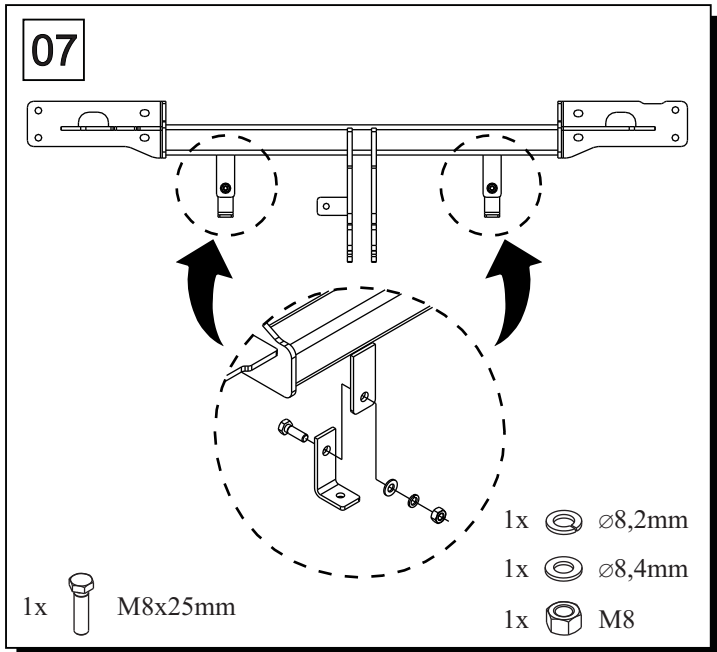


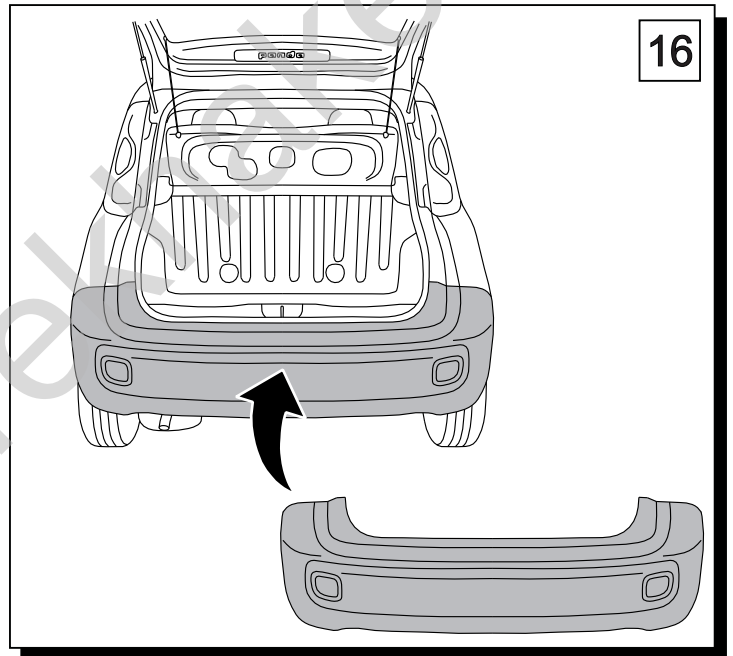
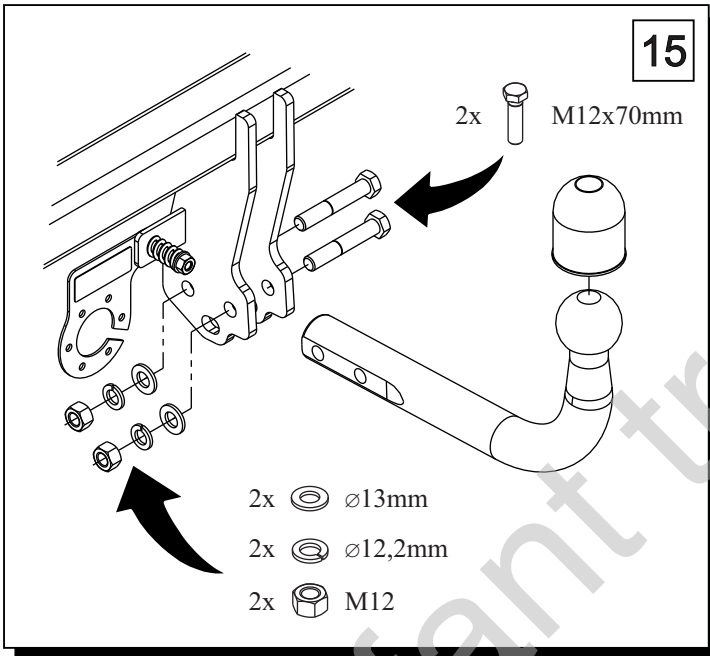
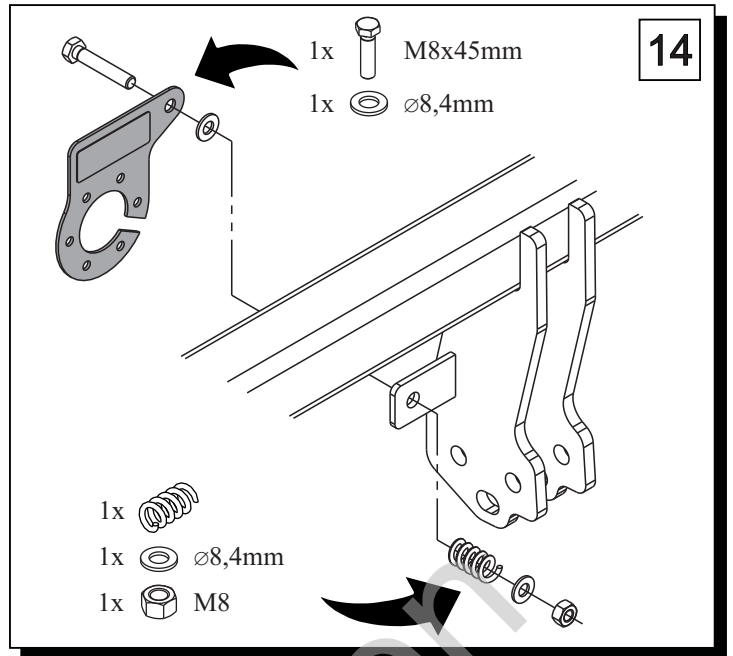
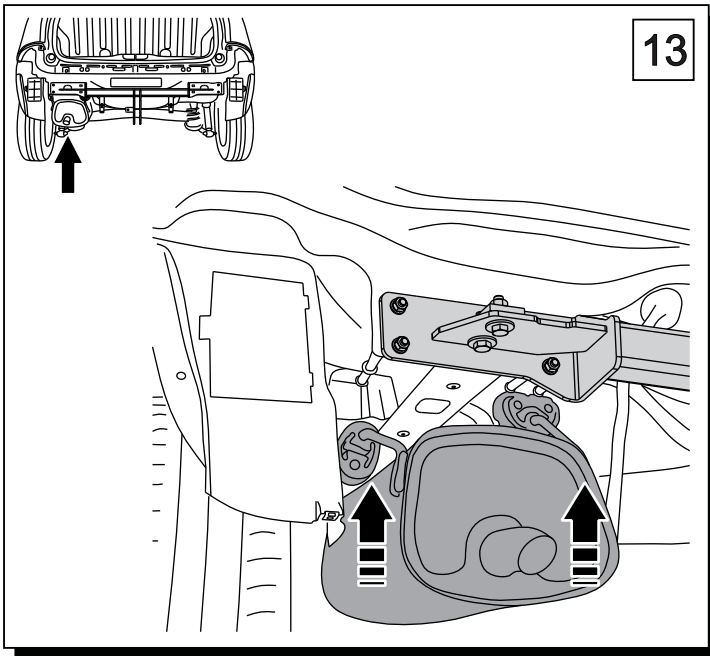

1000 km





1		x 1				
2		x 1	Art.nr-KL1R51			
3		x 1	Art.nr-BL1R51			
4		x 2				
5		x 2				
6		x 1				
7		x 1				
				8	M12x70	x 2
				9	M12x40	x 2
				10	M10x35	x 4
				11	M8x45	x 1
				12	M8x35	x 1
				13	M8x25	x 2
				14	M6x20	x 2
				15	∅ 13	x 2
				16	∅ 37x∅13x3 13 (DIN 9021)	x 2
				17	∅ 30x∅10.5x2.5 10 (DIN 9021)	x 8
				18	∅ 8,4	x 12
				19	∅ 6,4	x 4
				20	∅ 12.2	x 4
				21	∅ 10.2	x 4
				22	∅ 8.2	x 10
				23	∅ 6.1	x 2
				24	M12	x 2
				25	M10	x 4
				26	M8	x 11
				27	M6	x 2





M6	-	11 Nm	M8	-	25 Nm
M10	-	50 Nm	M12	-	87 Nm
M14	-	138 Nm	M16	-	210 Nm

 **0 km** →  **1000 km**