

AUTO-HAK Sp. z o.o.

ul. Słoneczna 16K 76-200 SŁUPSK
POLAND

tel/fax +48 59 8 414 414; +48 59 8 414 413

e-mail: office@autohak.com.pl

www.autohak.com.pl



AUTO-HAK



FIAT DOBLO WORK UP
Pick-up, ~~AdBlue~~

Cat. no:

R50



08.2011 →

e20

e20*94/20*1769*00

D

9,3 kN



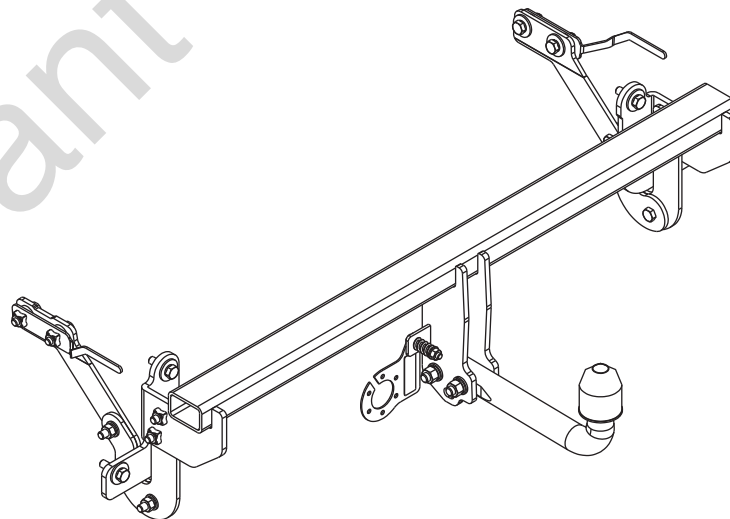
2h



R=1500 kg



S=100 kg



M6 - 11 Nm
M10 - 50 Nm
M14 - 138 Nm

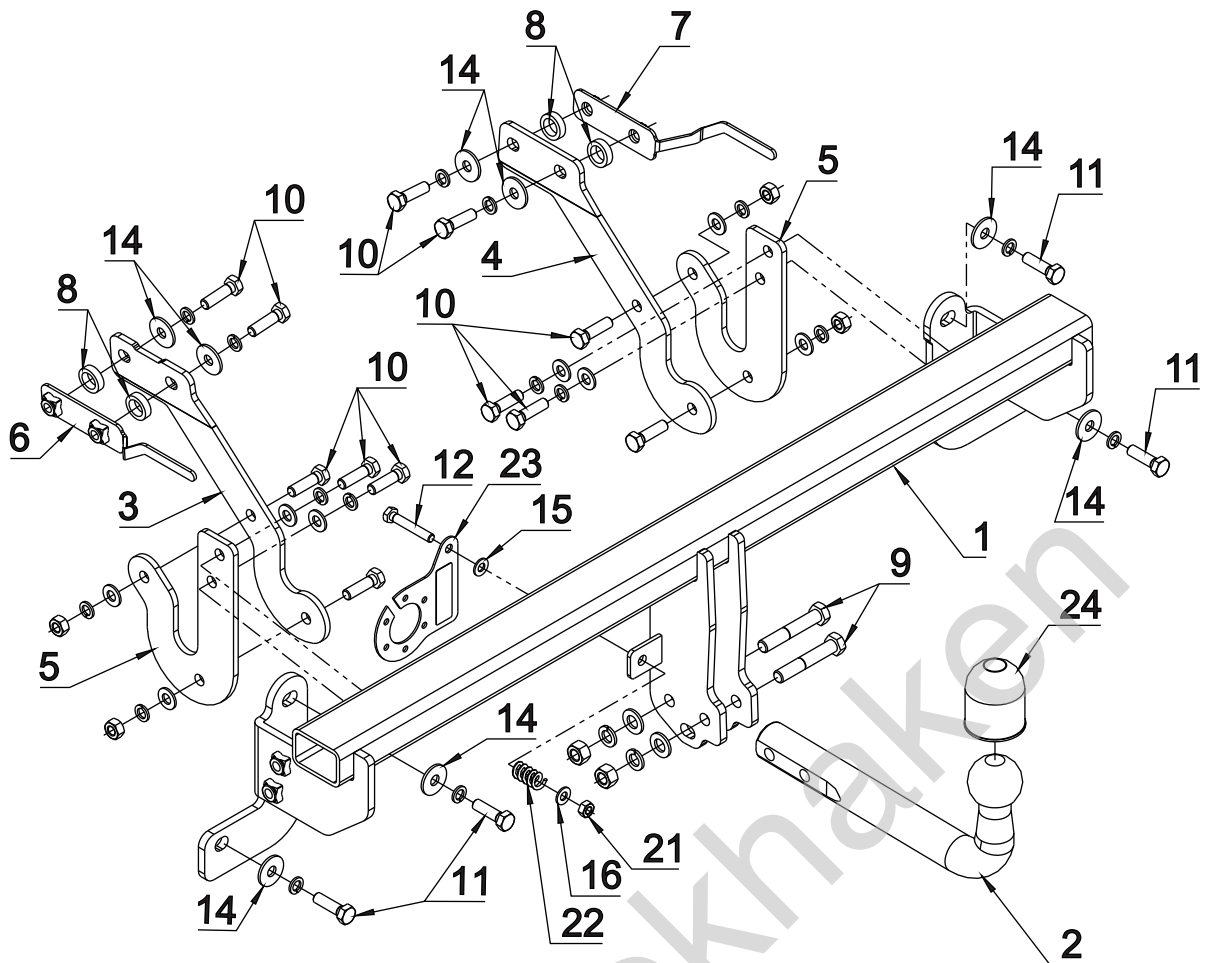
M8 - 25 Nm
M12 - 87 Nm
M16 - 210 Nm

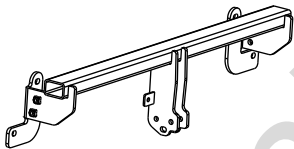


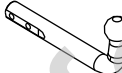






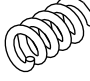


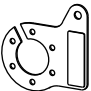



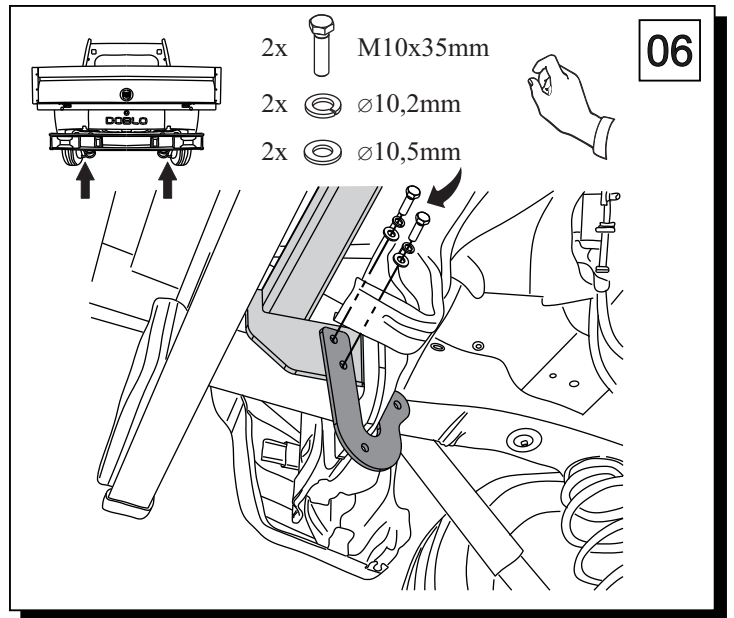
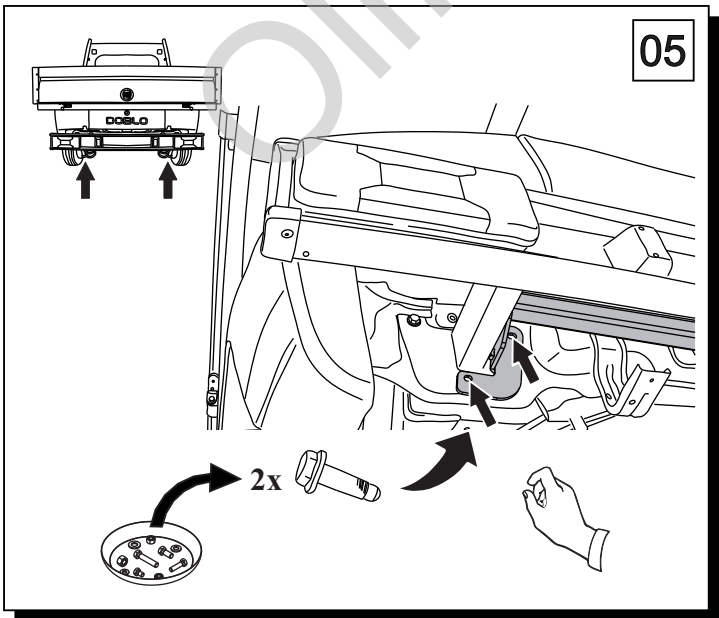
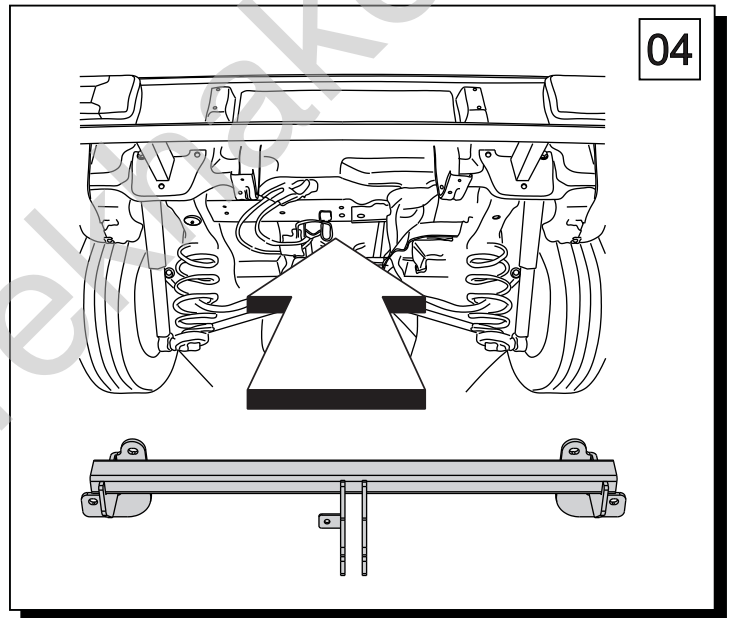
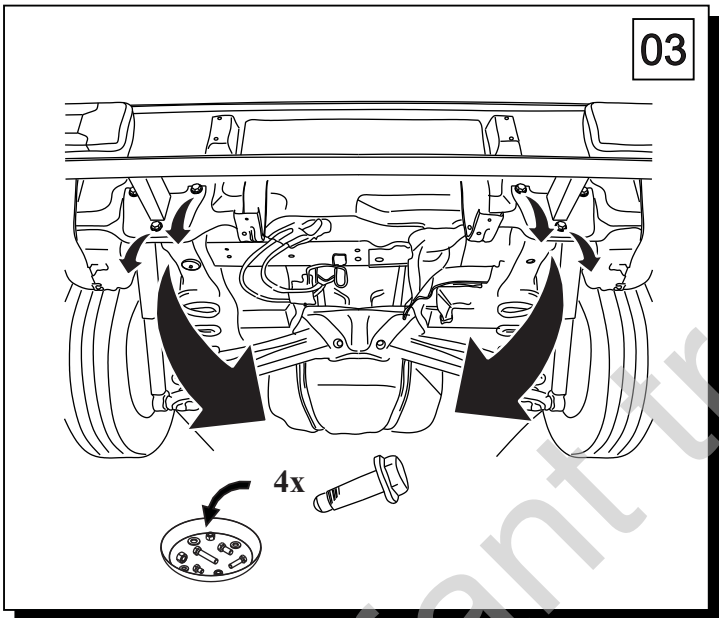
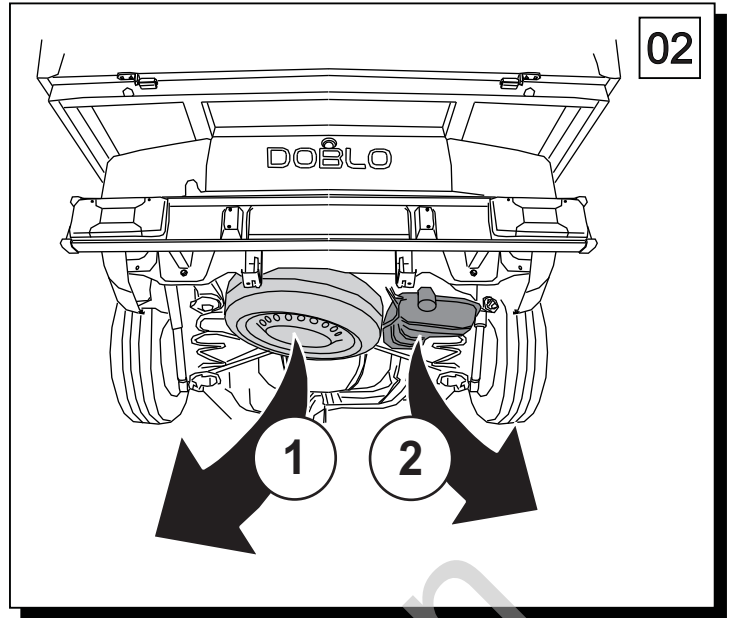
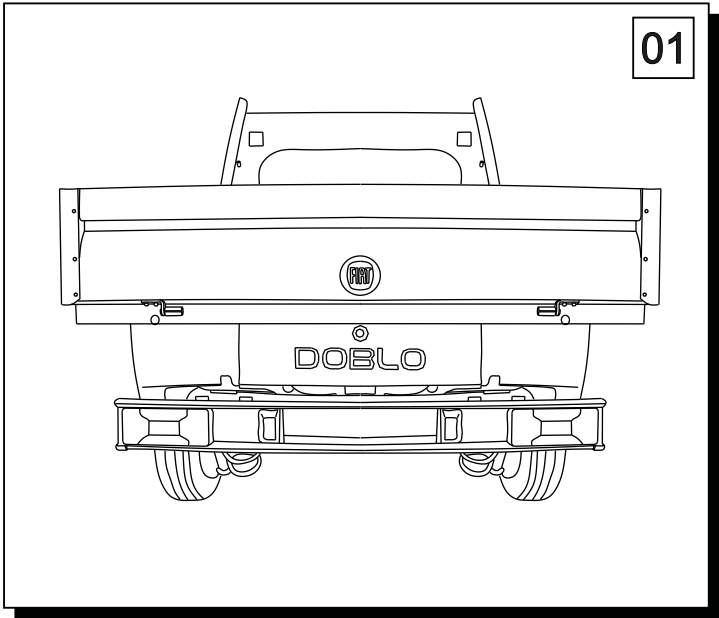
0 km →

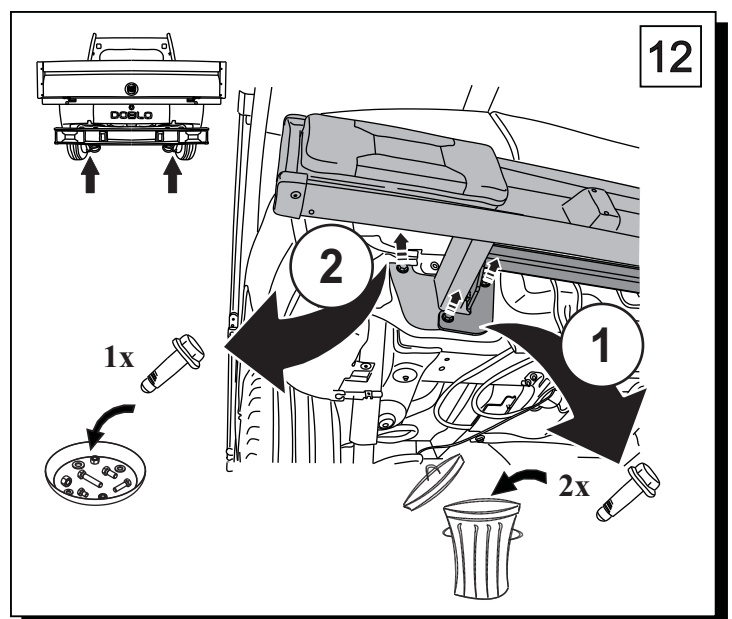
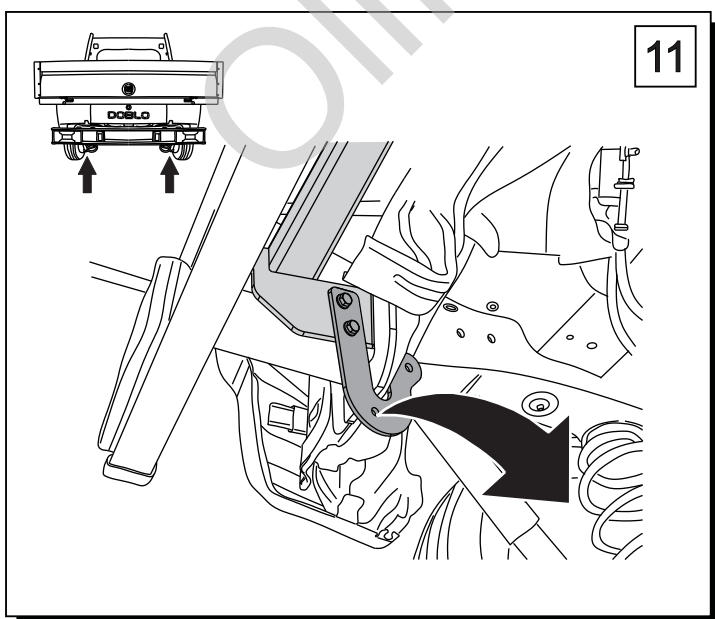
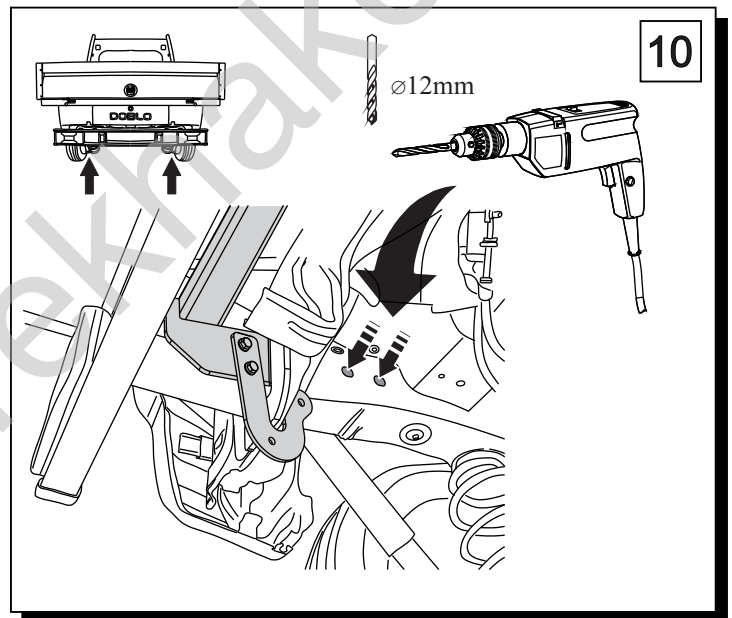
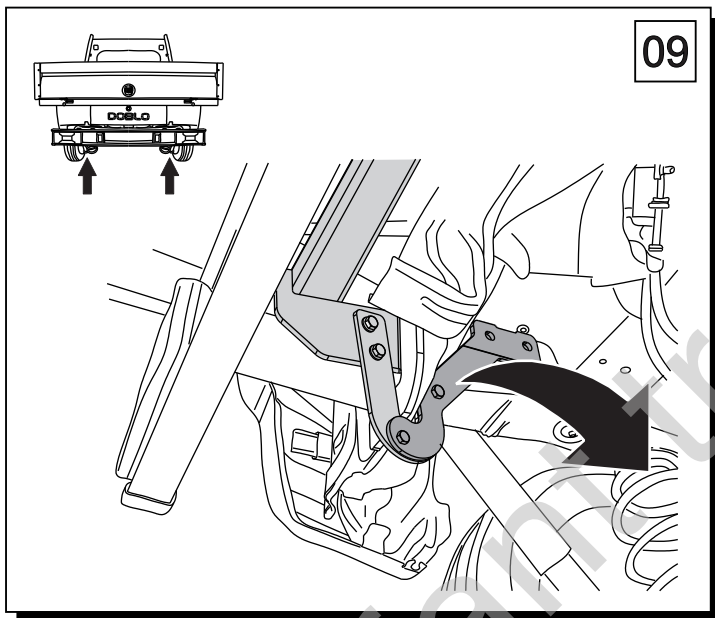
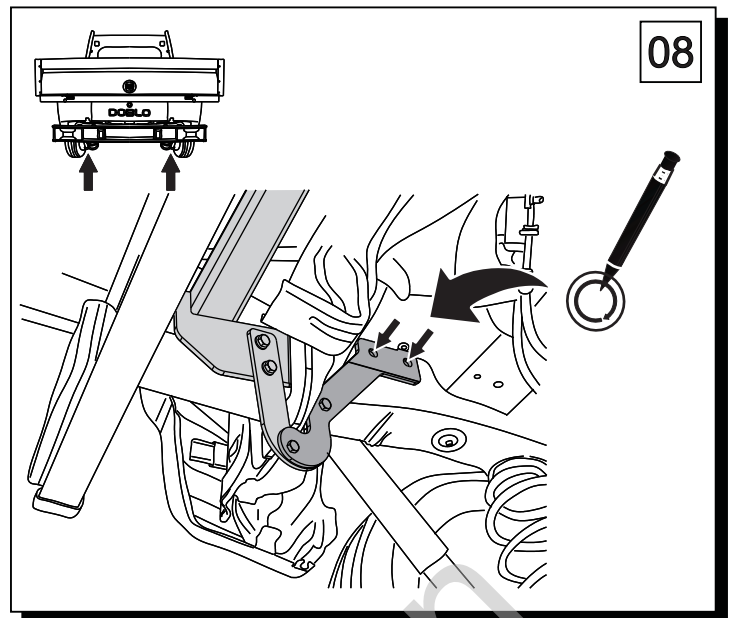
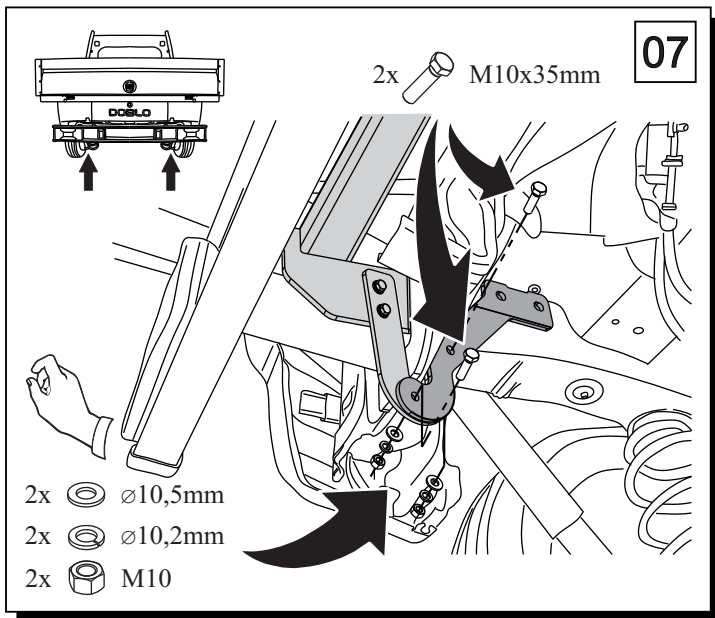


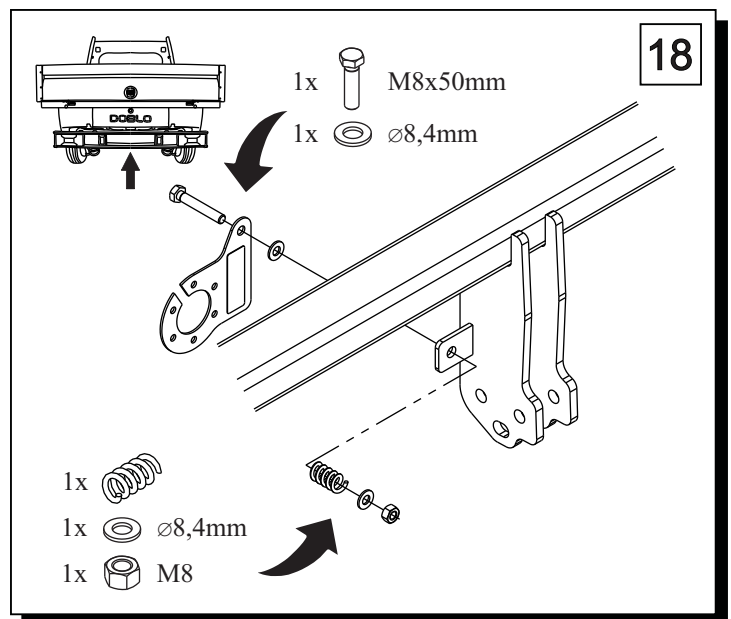
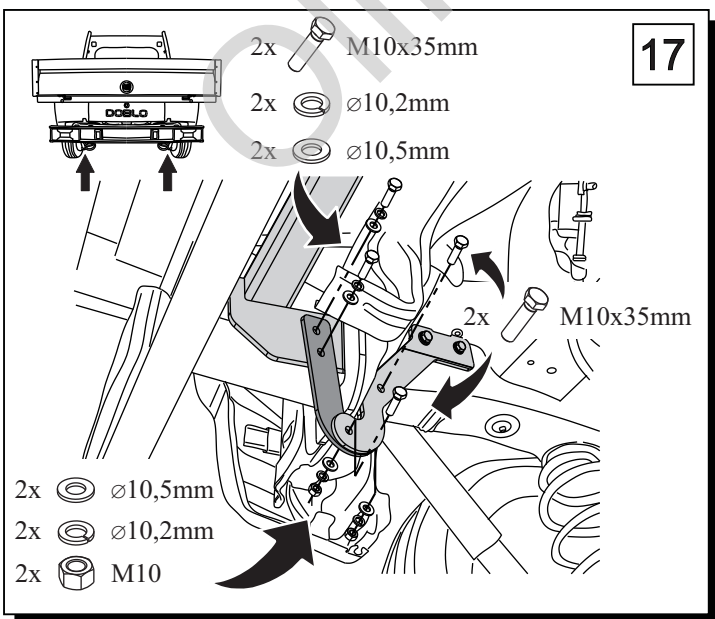
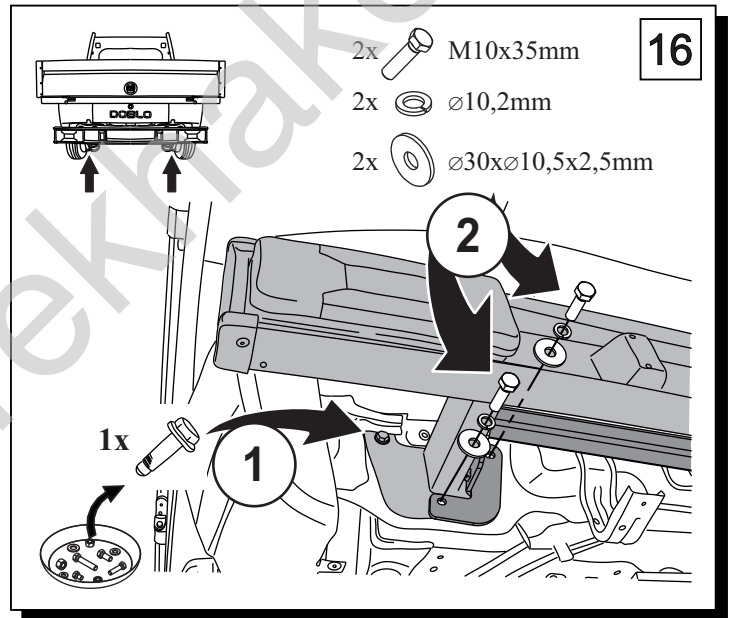
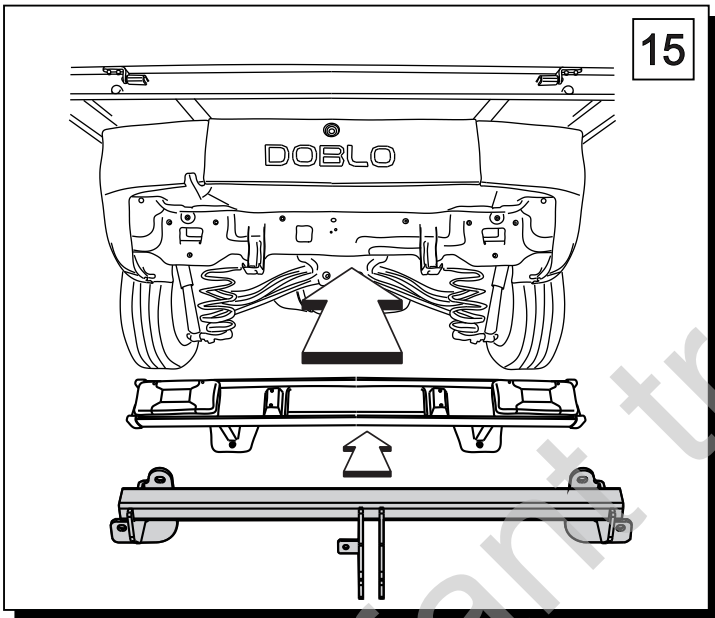
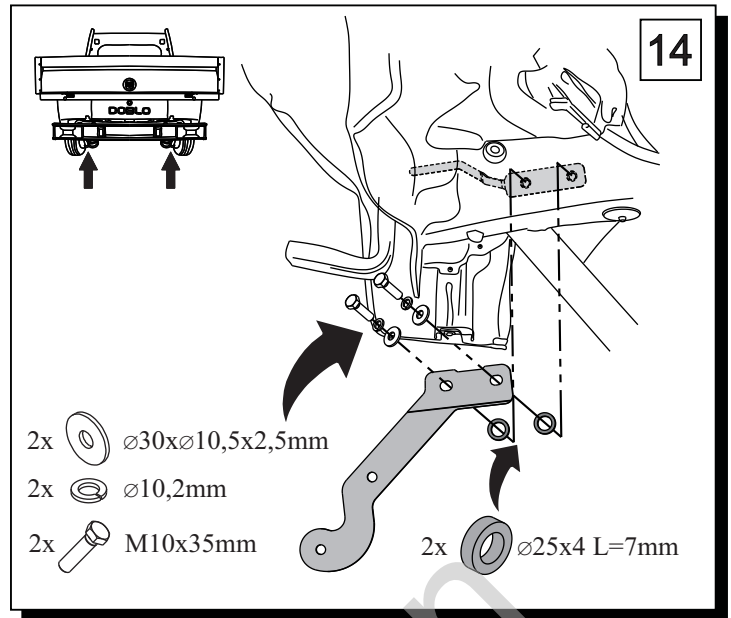
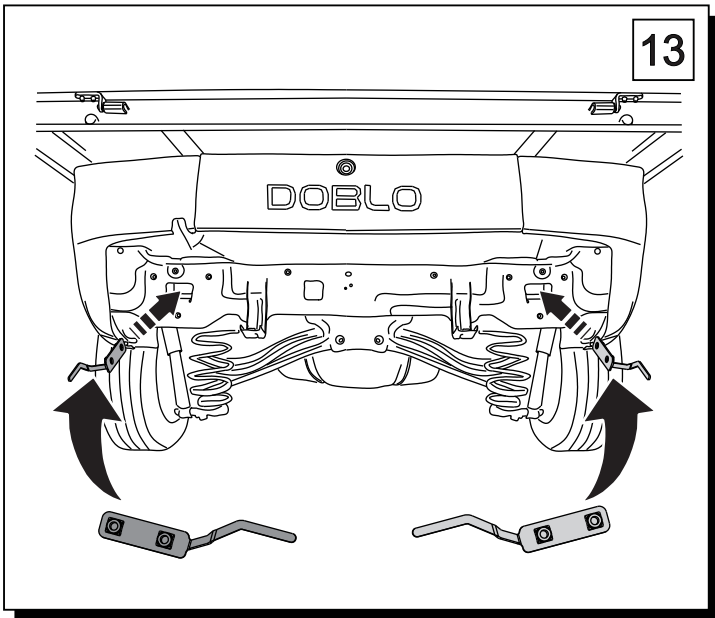
1000 km

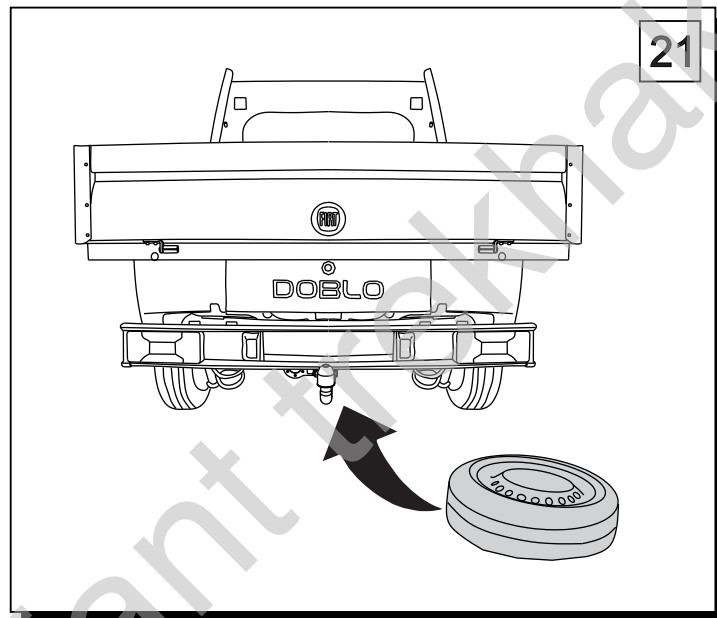
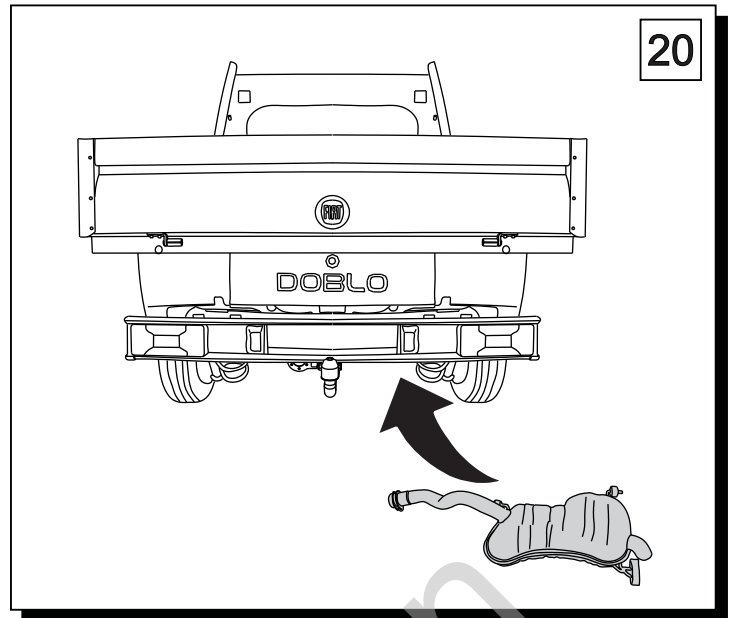
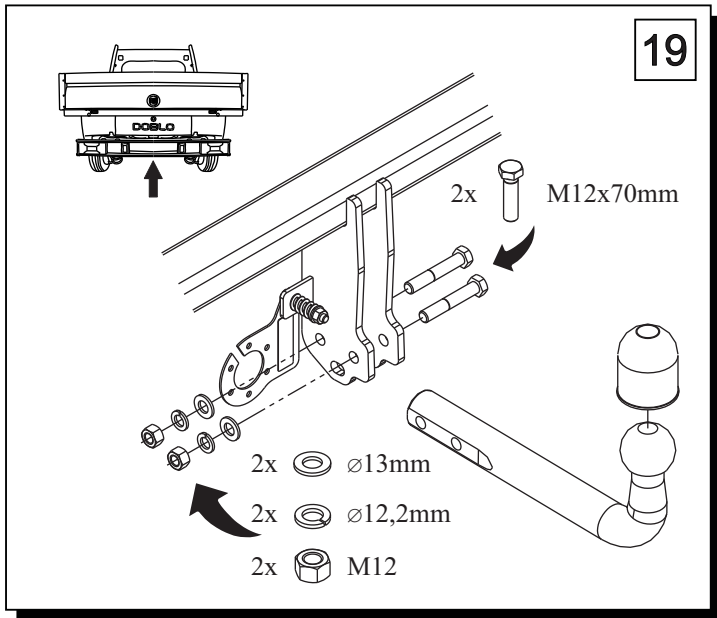



1		x1		9 M12x70	x2
				10 M10x35	x12
				11 M10x1,25x35	x4
				12 M8x45	x1
				13 ϕ 13	x2
2	 Art.nr-KL1R50	x1		14 ϕ 30x ϕ 10.5x2.5 10 DIN 9021	x8
3		x1		15 ϕ 10.5	x8
				16 ϕ 8.4	x2
4		x1		17 ϕ 12.2	x2
				18 ϕ 10.2	x16
5		x2		19 M12	x2
				20 M10	x4
6		x1		21 M8	x1
			22		x1
7		x1			
8	 ϕ 25x4mm L=7mm	x4	23		x1
				Art.nr-BL1R50	
			24		x1









M6	-	11 Nm	M8	-	25 Nm
M10	-	50 Nm	M12	-	87 Nm
M14	-	138 Nm	M16	-	210 Nm

 **0 km** \rightarrow  **1000 km**