

AUTO-HAK Sp. z o.o.

ul. Słoneczna 16K 76-200 SŁUPSK
POLAND

tel/fax +48 59 8 414 414; +48 59 8 414 413

e-mail: office@autohak.com.pl

www.autohak.com.pl



AUTO-HAK



FIAT FREEMONT

SUV, + 4x4

09.2011 → 07.2012
08.2012 →



DODGE JOURNEY

JC49, SUV, + 4x4


06.2008 →

Cat. no:

R49A

e20 e20*94/20*1543*00

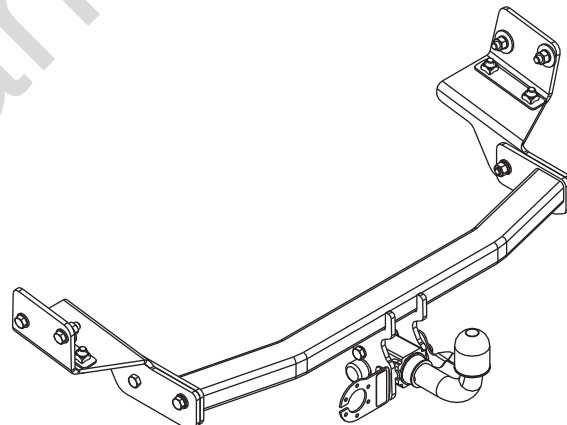
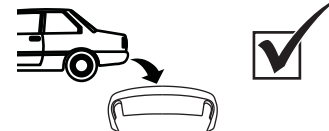
D 9,6 kN

 R=1600 kg

 S=80 kg



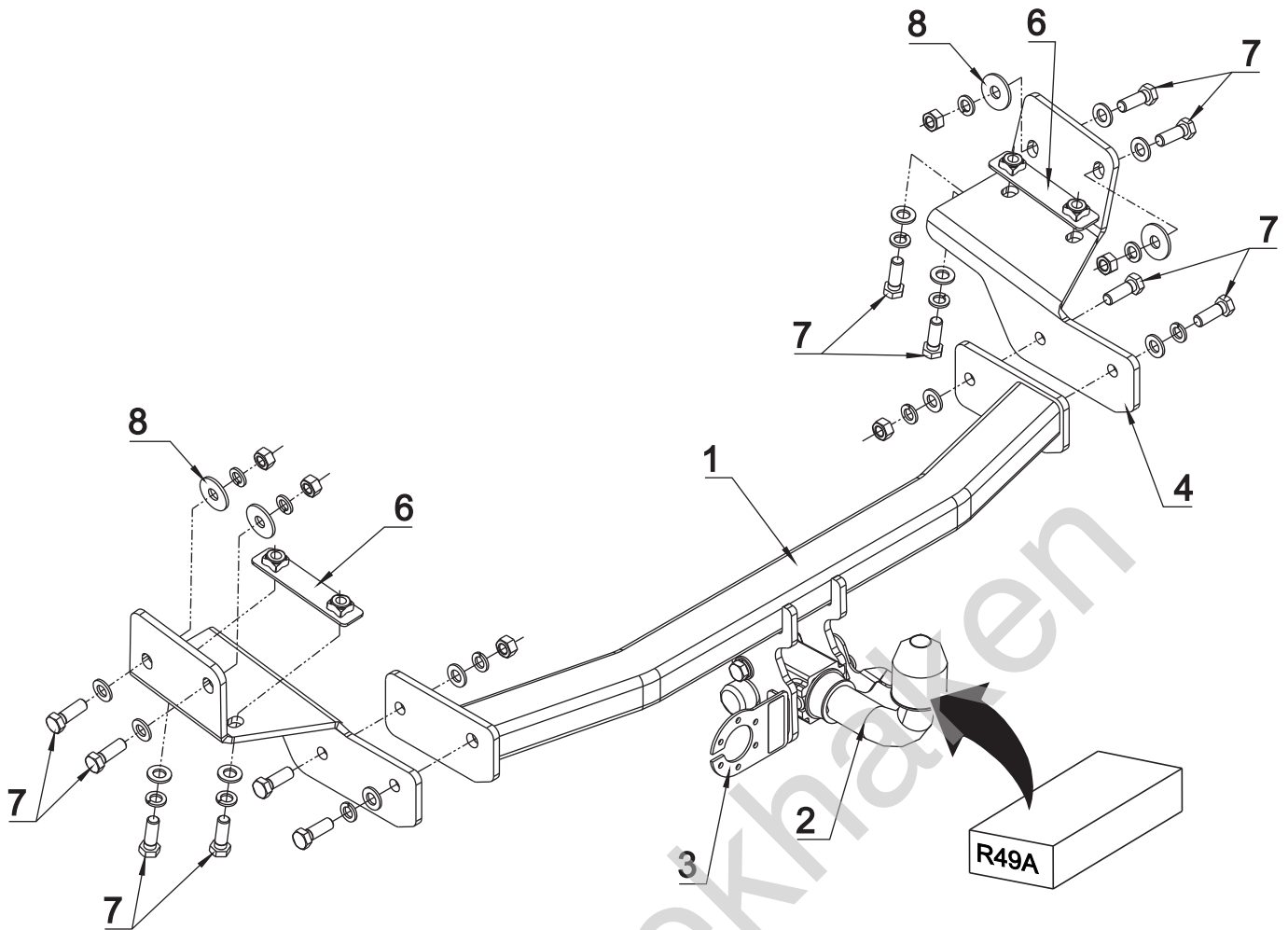
2h

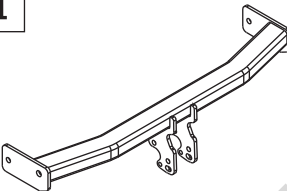

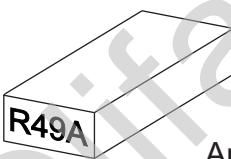

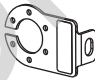

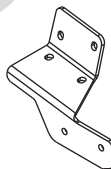

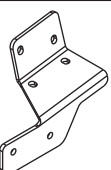

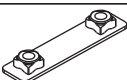



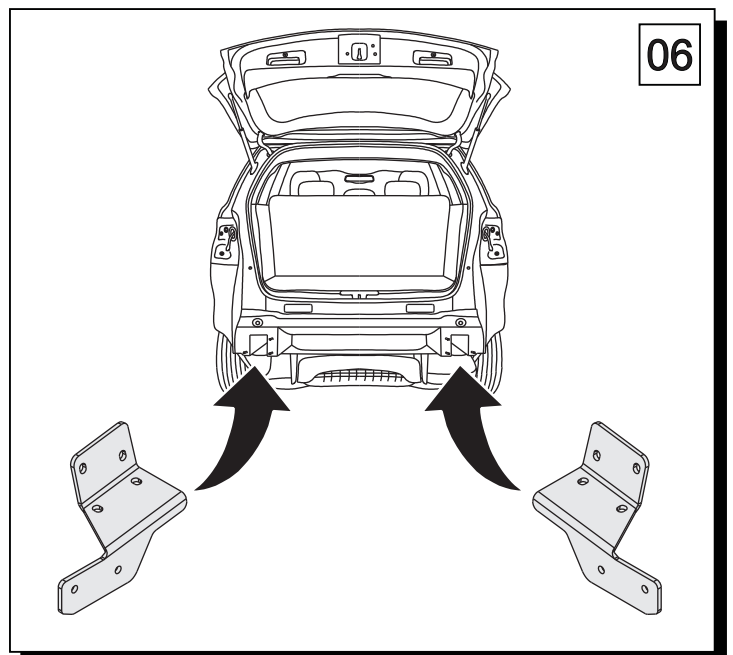
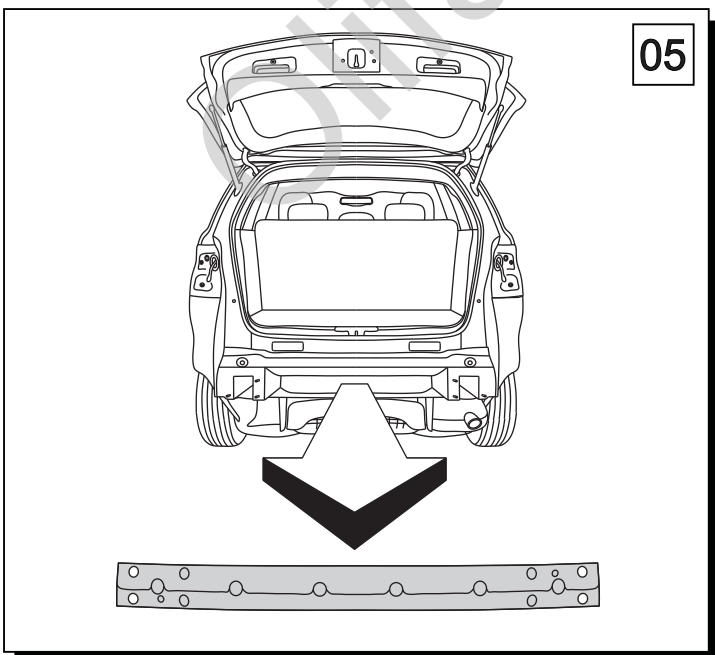
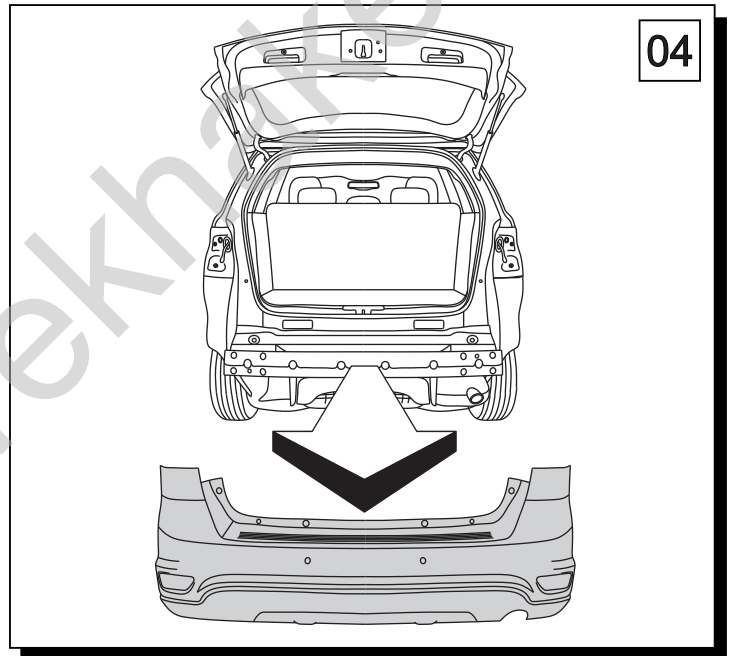
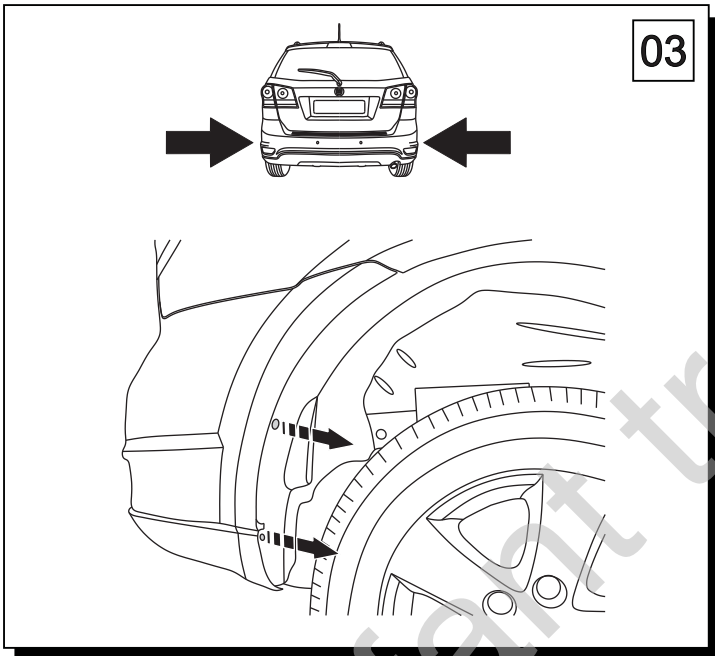
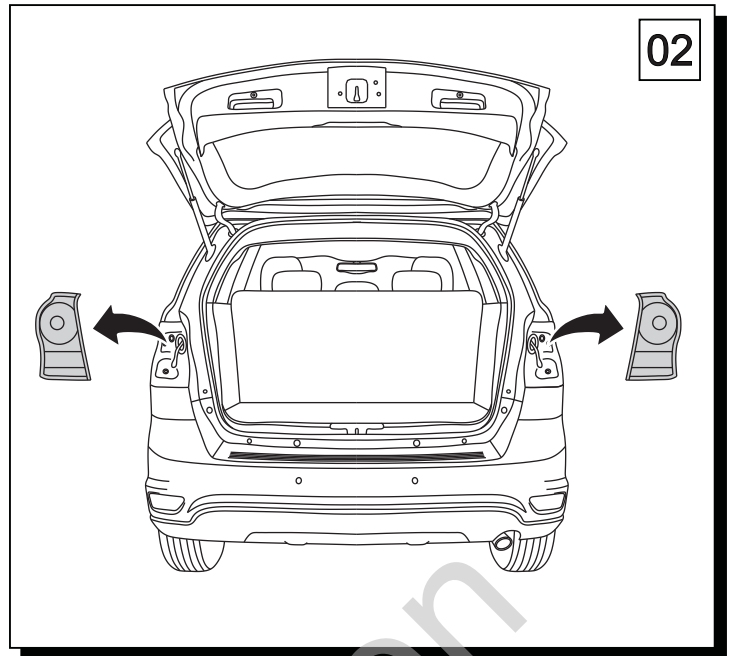
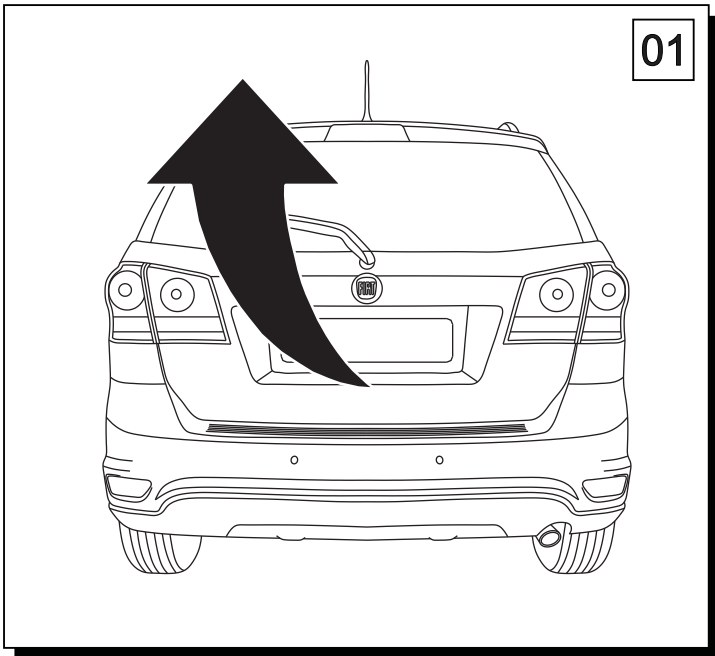
M6 - 11 Nm
M10 - 50 Nm
M14 - 138 Nm

M8 - 25 Nm
M12 - 87 Nm
M16 - 210 Nm

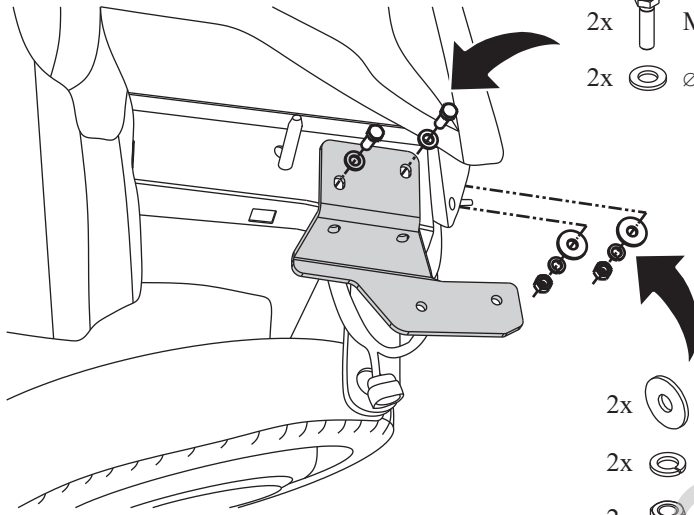
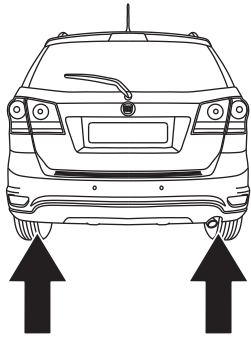
0 km → 1000 km








1		x1		7	M12x35	x12
2		x1		8	∅ 37x∅13x3 13 (DIN 9021)	x4
3		x1		9	∅ 13	x12
4		x1		10	∅ 12.2	x12
5		x1		11	M12	x6
6		x2		12		x1



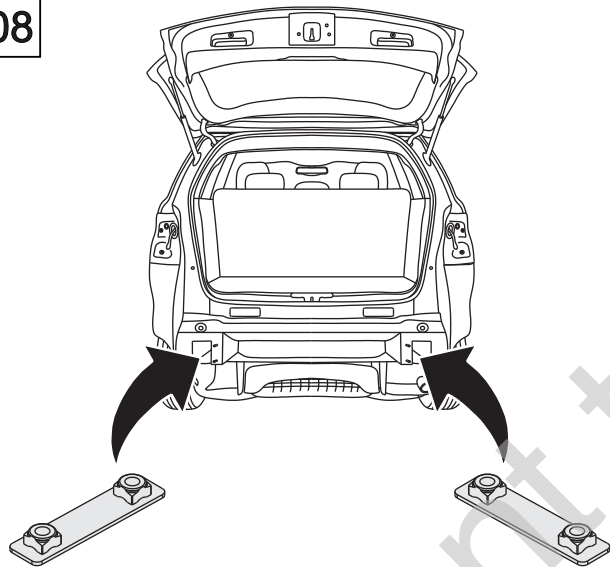
07



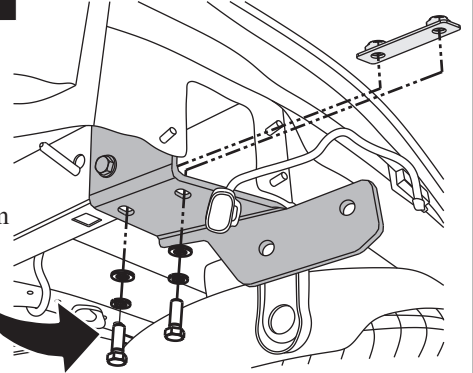
- 2x  M12x35mm
- 2x  $\varnothing 13\text{mm}$


- 2x  $\varnothing 37 \times \varnothing 13 \times 3\text{mm}$
- 2x  $\varnothing 12,2\text{mm}$
- 2x  M12

08

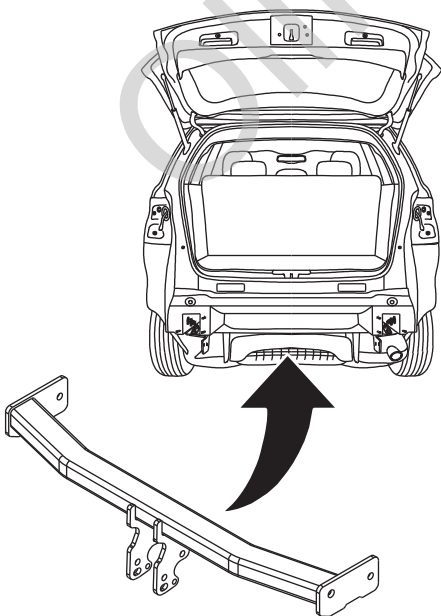


09

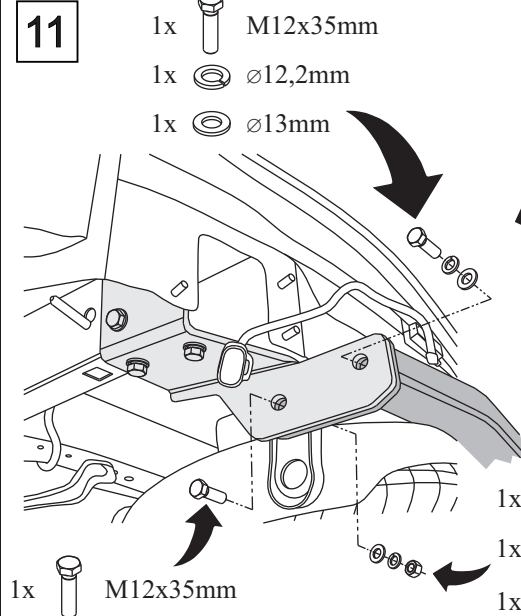





- 2x  M12x35mm
- 2x  $\varnothing 12,2\text{mm}$
- 2x  $\varnothing 13\text{mm}$

10

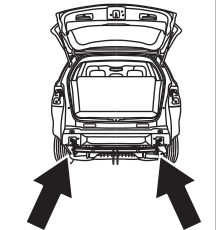





11



- 1x  M12x35mm
- 1x  $\varnothing 12,2\text{mm}$
- 1x  $\varnothing 13\text{mm}$

- 1x  M12x35mm



- 1x  $\varnothing 13\text{mm}$
- 1x  $\varnothing 12,2\text{mm}$
- 1x  M12

