

AUTO-HAK Sp. z o.o.

ul. Słoneczna 16K 76-200 SŁUPSK
POLAND











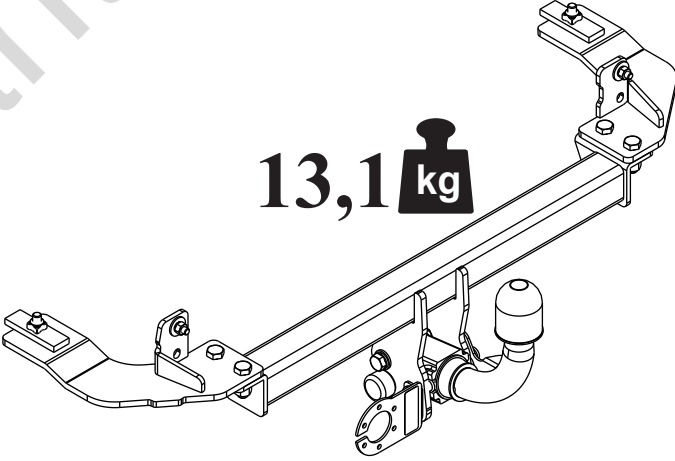



tel/fax +48 59 8 414 414; +48 59 8 414 413

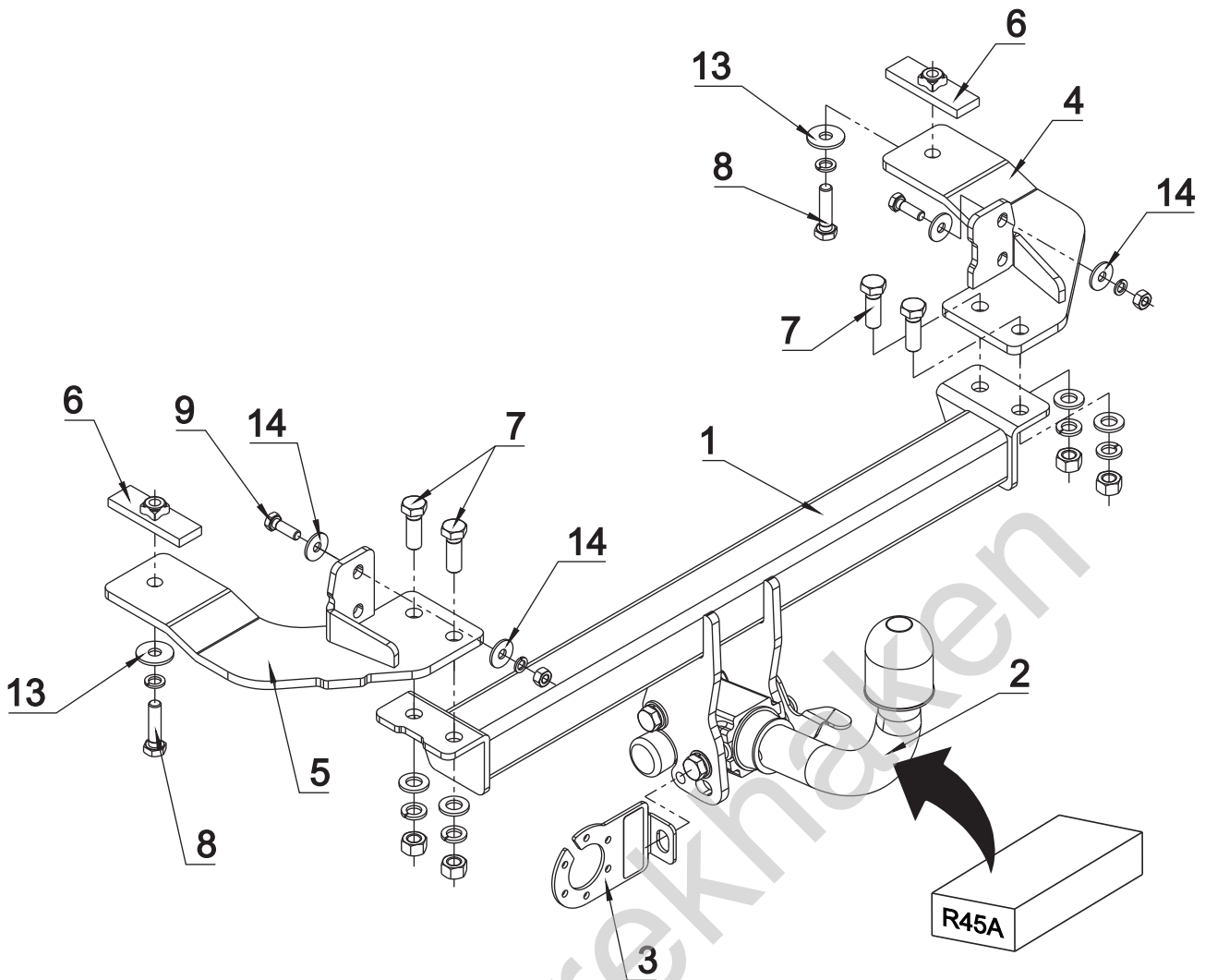
e-mail: office@autohak.com.pl

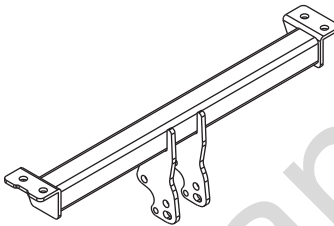

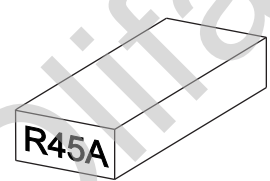
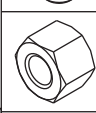
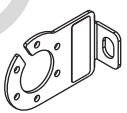



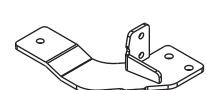

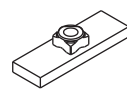

www.autohak.com.pl

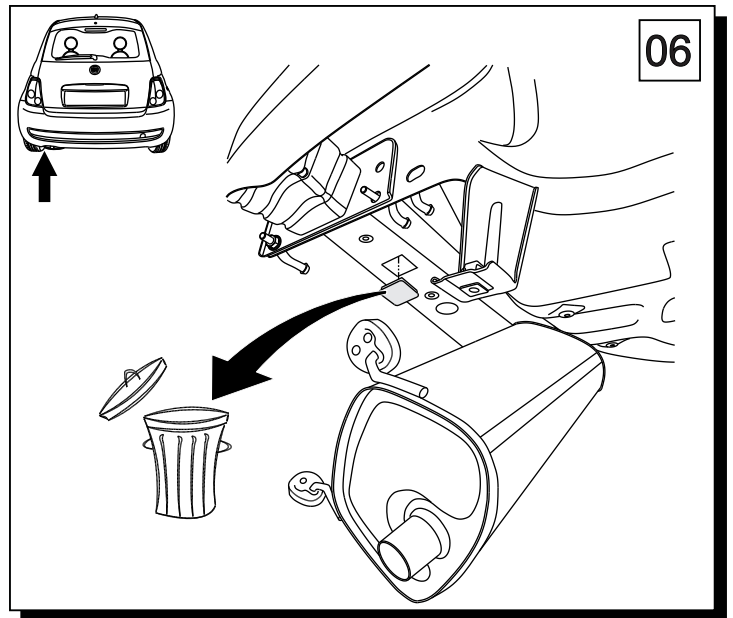
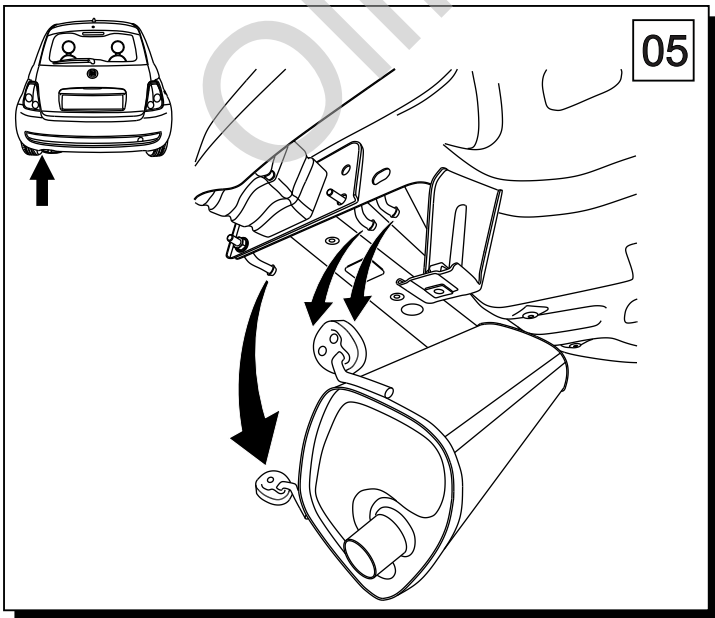
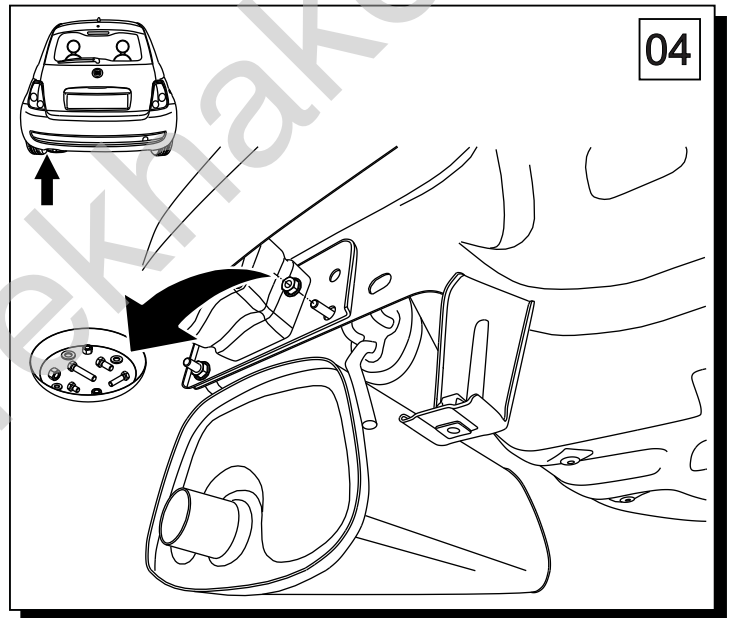
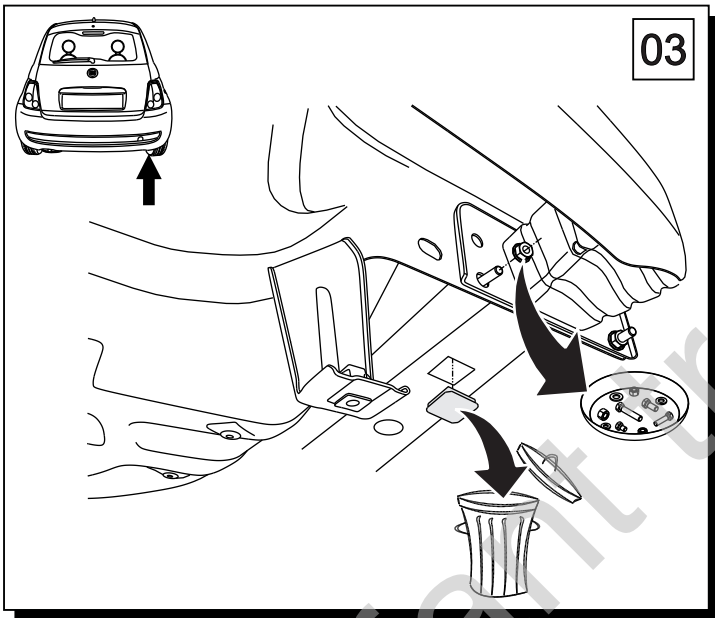
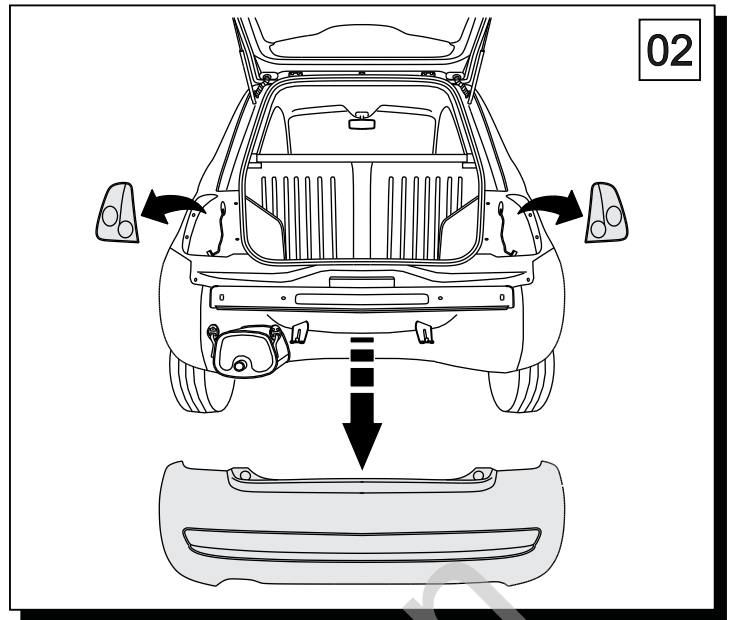
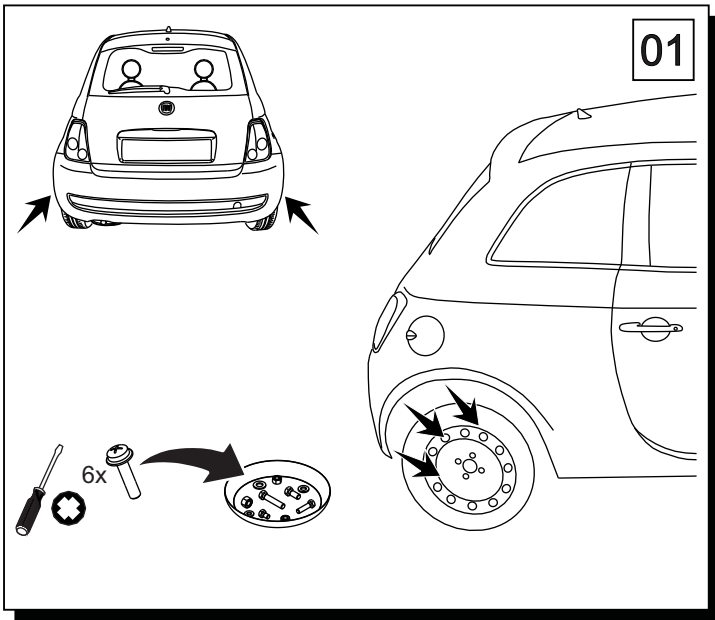


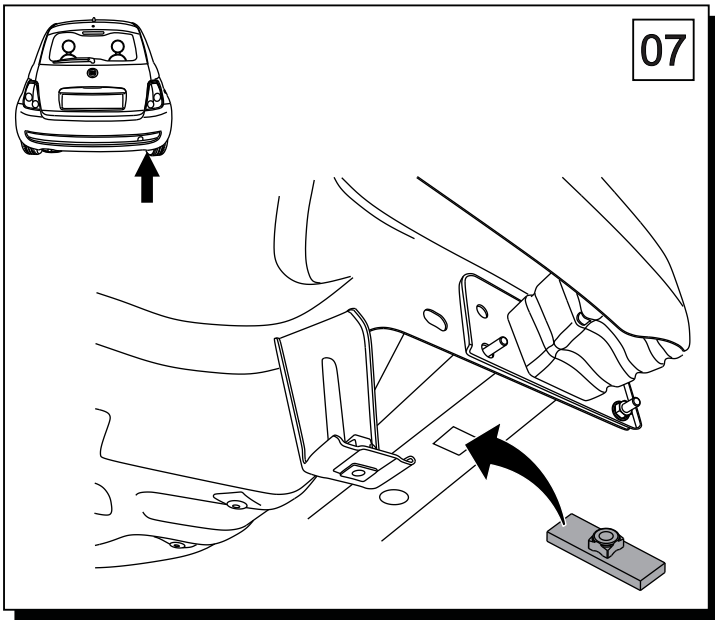
AUTO-HAK

| | | |
|---|---|--|
|  | FIAT 500 3D, Abarth, S Sport | Cat. no: R45A |
|  | 07.2007 → 06.2015 07.2015 → | |
| e20 | e20*94/20*0428*00 |  2h |
| D | 5,1 kN | |
|  | R=800 kg |  07.2007-06.2015 |
|  | S=40 kg |  07.2015 → |
| | |  <input checked="" type="checkbox"/> |
| | |  <input checked="" type="checkbox"/> |
| | |  <input type="checkbox"/> |
| | | <input checked="" type="checkbox"/> |
| | 13,1 kg | |
| |  | |
|  | M6 - 11 Nm | M8 - 25 Nm |
| | M10 - 50 Nm | M12 - 87 Nm |
| | M14 - 138 Nm | M16 - 210 Nm |
| |  0 km →  1000 km | |

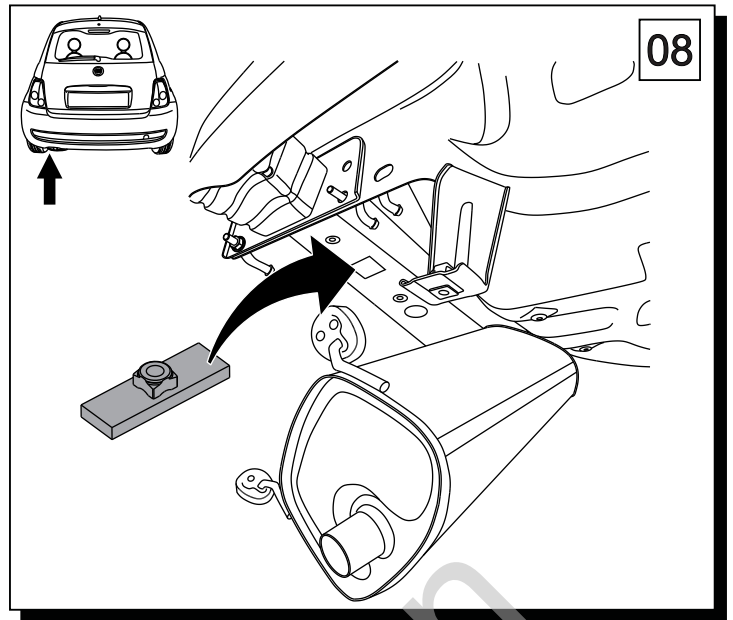


| | | | | | | |
|---|---|----|---|----|---------------------------------|----|
| 1 |  | x1 |  | 7 | M12x35 | x4 |
| | | | | 8 | M10x40 | x2 |
| 2 |  | x1 |  | 9 | M8x25 | x2 |
| | | | | 10 | M12 | x4 |
| 3 |  | x1 |  | 11 | M8 | x2 |
| | | | | 12 | ø 13 | x4 |
| 4 |  | x1 |  | 13 | ø 30xø10.5x2.5 10 – DIN 9021 | x2 |
| | | | | 14 | ø 24xø8.4x2 8 – DIN 9021 | x4 |
| 5 |  | x1 |  | 15 | ø 12.2 | x4 |
| | | | | 16 | ø 10.2 | x2 |
| 6 |  | x2 |  | 17 | ø 8.2 | x2 |
| | | | | | | |

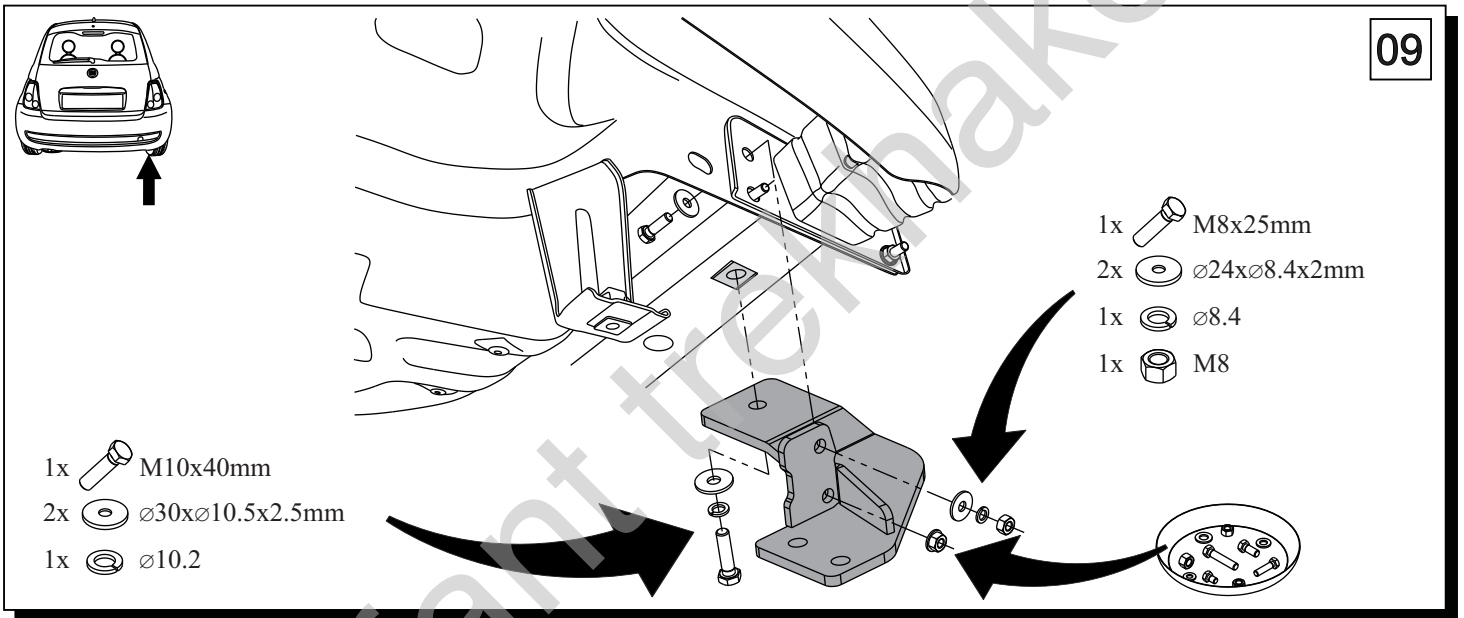




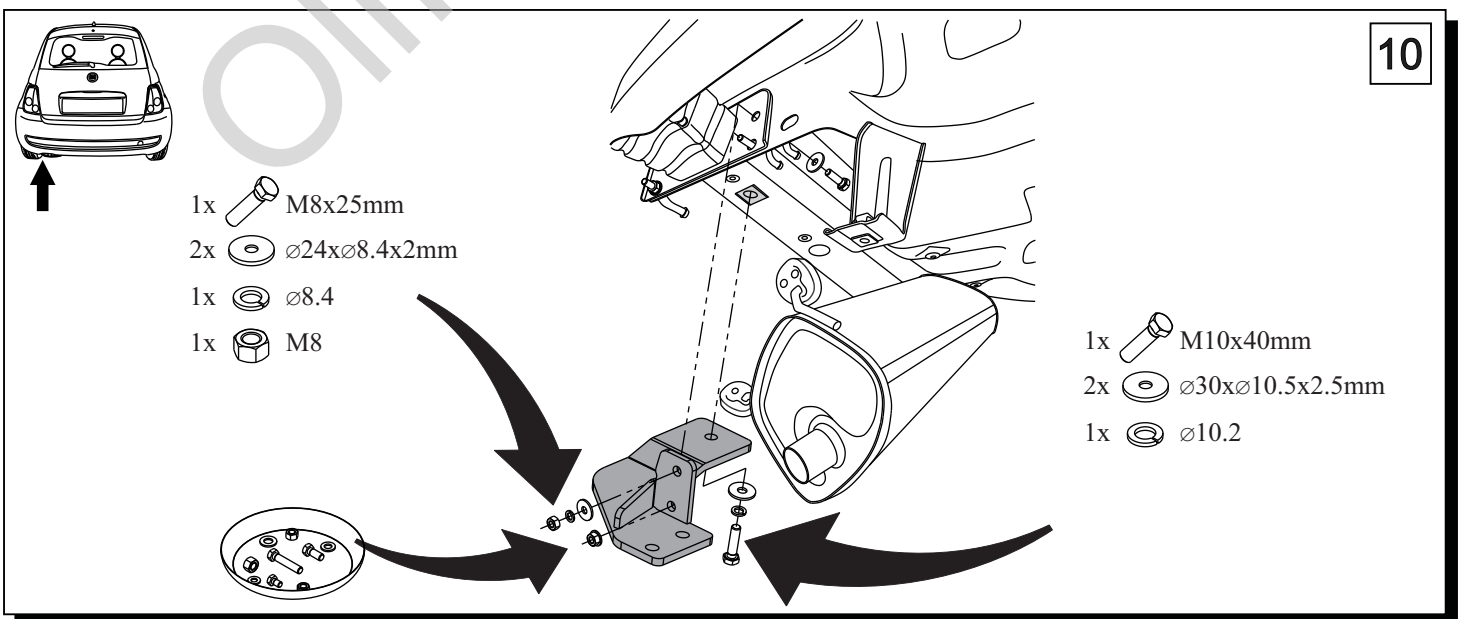
07



08



09



10

