

AUTO-HAK Sp. z o.o.

ul. Słoneczna 16K 76-200 SŁUPSK
POLAND

tel/fax +48 59 8 414 414; +48 59 8 414 413

e-mail: office@autohak.com.pl

www.autohak.com.pl



AUTO-HAK



FIAT BRAVO 5D

Cat. no:

R44A



04.2007 →

e20

e20*94/20*0400*00

D

7,9 kN



1,5h



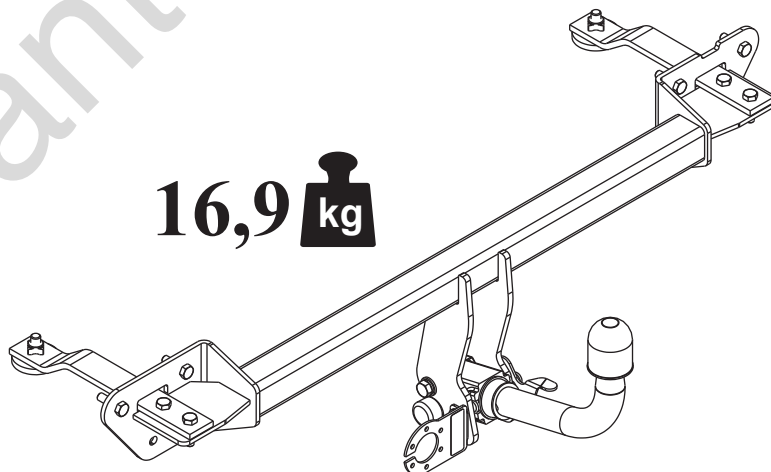
R=1400 kg



S=75 kg



16,9 kg



M6 - 11 Nm
M10 - 50 Nm
M14 - 138 Nm

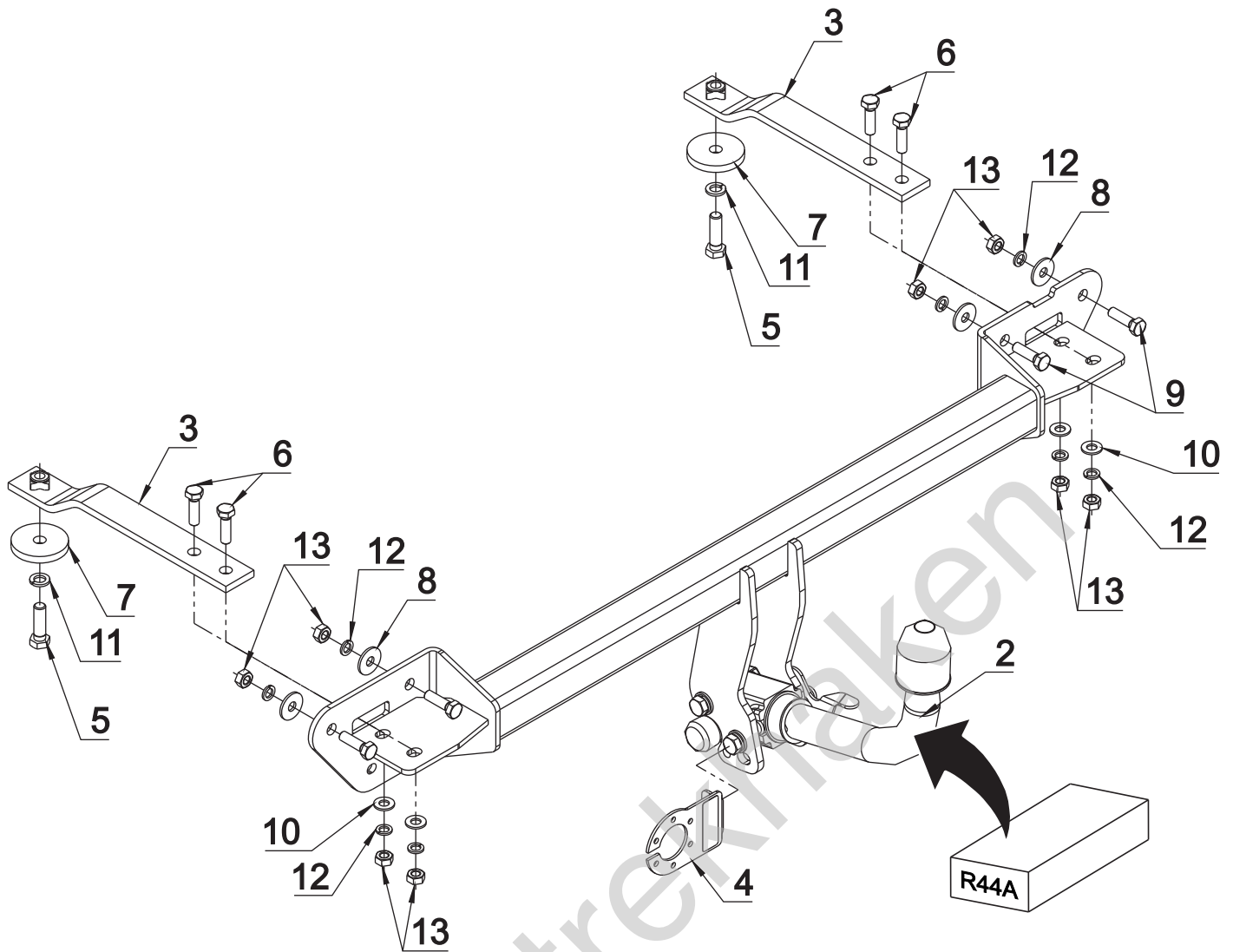
M8 - 25 Nm
M12 - 87 Nm
M16 - 210 Nm

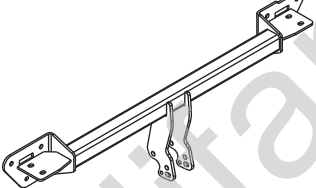

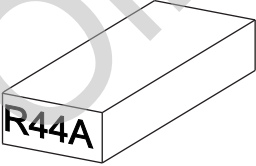


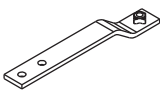
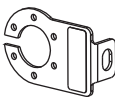

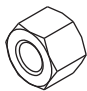


0 km →



1000 km



1		x1		5	M12x40	x2
				6	M10x35	x8
2		x1		7	ϕ 58x ϕ 13x6	x2
					8	ϕ 30x10.5x2.5 10 (DIN 9021)
3		x2	9		ϕ 13	x2
			10	ϕ 10.5	x4	
4		x1		11	ϕ 12.2	x2
				12	ϕ 10.2	x8
				13	M10	x8

Art.nr-KL1R44A

Art.nr-BL1R44A

