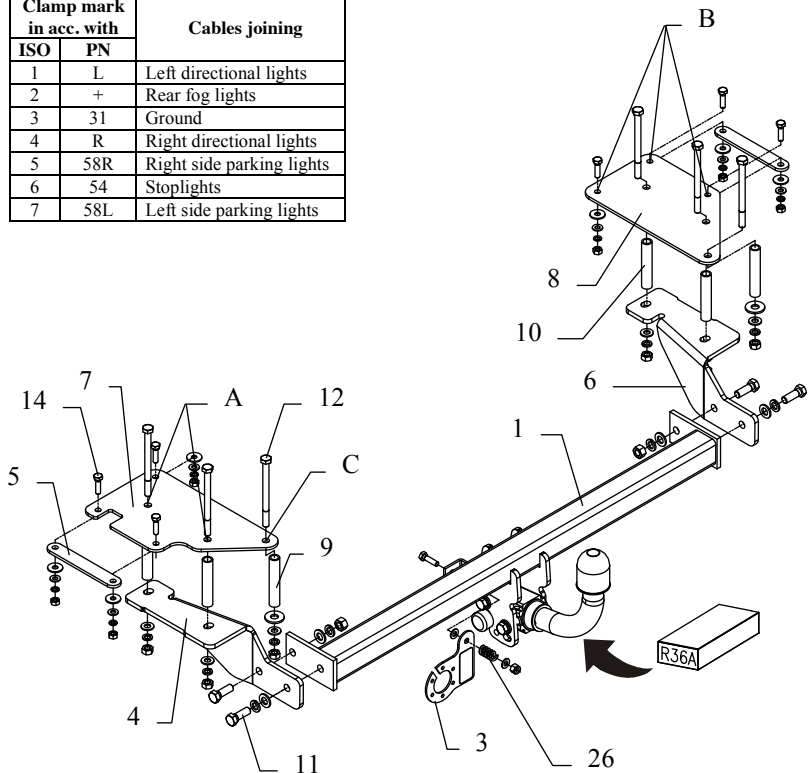


FITTING INSTRUCTION

Clamp mark in acc. with		Cables joining
ISO	PN	
1	L	Left directional lights
2	+	Rear fog lights
3	31	Ground
4	R	Right directional lights
5	58R	Right side parking lights
6	54	Stoplights
7	58L	Left side parking lights



This towbar is designed to assembly in following cars:

FIAT MULTIPLA II, VAN, produced since 09.2004, catalogue no. **R36A** and is prepared to tow trailers max total weight **1300 kg** and max vertical load **70 kg**.

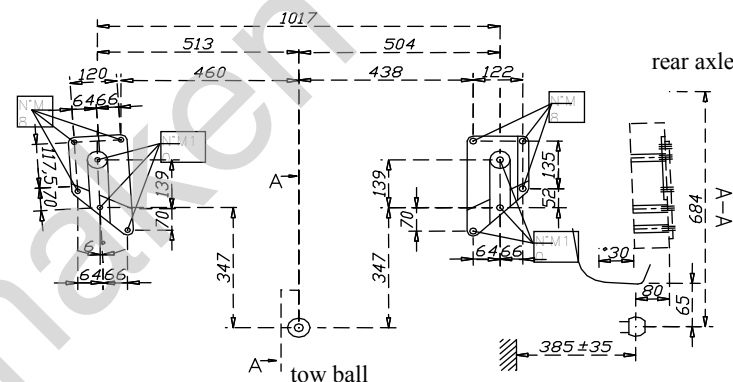
From manufacturer

Thank you for buying our product. Their reliability has been confirmed in many tests. Reliability of towbar depends also on correct assembly and correct exploitation. For this reasons we kindly ask to read carefully this instruction and apply to hints.

The towbar should be install in points described by a car producer.

The instruction of the assembly

1. Remove fitted carpet and anti-noise mat from the boot
2. Take out a spare wheel. Get lower the muffler, take him out from last handle. Disassemble a rear bumper.
3. Inside boot find four original marked points (two per each side). Drill it using bit $\phi 10,5\text{mm}$.



4. On drilled holes put fish-plates (pos. 7 and 8). Holes pos. A on drilled holes.
5. Mark rest holes of the fish-plates and drill it:
 - holes B using bit $\phi 9\text{mm}$
 - holes C using bit $\phi 10,5\text{mm}$
6. Holes A and C drill again using bit $\phi 17,5\text{mm}$ only from inside of boot. To this holes put distance sleeves as shown in figure 2.
7. On in this way prepared places put elements 7 and 8, by holes A and C put bolts M10x130mm (pos. 13).
8. Underneath the car, on protruding bolts put elements 4 and 6 and fix it loosely.
9. Between element 4 and 6 put main bar of the towbar (pos. 1) and fix it using bolts M12x35mm (pos. 12).
10. By holes B in elements 7 and 8 put bolts M8x30mm (pos. 14) and fix with plate (pos. 5), use washers pos. 19.
11. Fix body of the automat according to supplied instruction.
12. Fix the socket plate (pos. 3) as shown on the drawing.
13. Tighten all bolts according to the torque shown in the table.
14. Connect electric wires of 7-poles socket according to the instruction of the car. (Recommend to make at authorized service station)
15. Complete paint layer damaged during installation.

Torque settings for nuts and bolts (8,8):

M 8	25 Nm	M 10	55 Nm
M 12	85 Nm	M 14	135 Nm

Towbar accessories:

Pos. 1 Name: Main bar Quantity: 1	Pos. 6 Name: Right bracket Quantity: 1	Pos. 10 Name: Distance sleeve Quantity: 4	Pos. 17 Name: Washer Quantity: 2 Dim.: $\varnothing 32 \times \varnothing 12 \times 3 \text{ mm}$	Pos. 24 Name: Spring washer Quantity: 6 Dim.: $\varnothing 8,2 \text{ mm}$
Pos. 2 Name: Tow ball Quantity: 1	Pos. 7 Name: Plate bracket Quantity: 1	Pos. 11 Name: Bolt 8,8 B Quantity: 4 Dim.: M12x35mm	Pos. 18 Name: Washer Quantity: 6 Dim.: $\varnothing 25 \times \varnothing 9 \times 2 \text{ mm}$	Pos. 25 Name: Spring Quantity: 1
Pos. 3 Name: Socket plate Quantity: 1	Pos. 8 Name: Plate bracket Quantity: 1	Pos. 12 Name: Bolt 8,8 B Quantity: 6 Dim.: M10x130mm	Pos. 19 Name: Plain washer Quantity: 4 Dim.: $\varnothing 13 \text{ mm}$	
Pos. 4 Name: Left bracket Quantity: 1	Pos. 9 Name: Distance sleeve Quantity: 2	Pos. 13 Name: Bolt 8,8 B Quantity: 7 Dim.: M8x30	Pos. 20 Name: Plain washer Quantity: 6 Dim.: $\varnothing 10,5 \text{ mm}$	
Pos. 5 Name: Plate Quantity: 2	Pos. 14 Name: Nut 8 B Quantity: 2 Dim.: M12	Pos. 15 Name: Nut 8 B Quantity: 6 Dim.: M10	Pos. 21 Name: Plain washer Quantity: 8 Dim.: $\varnothing 8,5 \text{ mm}$	
	Pos. 16 Name: Nut 8 B Quantity: 7 Dim.: M8	Pos. 22 Name: Spring washer Quantity: 4 Dim.: $\varnothing 12,2 \text{ mm}$	Pos. 23 Name: Spring washer Quantity: 6 Dim.: $\varnothing 10,2 \text{ mm}$	

NOTE

After install the towbar you should get adequate note in registration book (at authorised service station). The car should be equipped with:

- Indicators
- Tow mirrors

After 1000km check all bolts and nuts. The ball of towbar must be always kept clear and conserve with a grease.



PPUH AUTO-HAK S.J.

Produkcja Haków Holowniczych
Henryk i Zbigniew Nejman
76-200 SŁUPSK ul. Słoneczna 16K
tel/fax (059) 8-414-414; 8-414-413
E-mail: office@autohak.com.pl
www. autohak.com.pl

Towing hitch (without electrical set)

Class: **A50-X** Cat. no. **R36A**

Designed for:

Manufacturer: **FIAT**

Model: **MULTIPLA II**

Type: **VAN**

produced since 09.2004

Technical data:

D-value: 7,8 kN

maximum trailer weight: **1300 kg**

maximum vertical cup load: **70 kg**

Approval number acc. to regulations EKG/ONZ 55.01: **E20-55R-01 1768**

Foreword

This towbar is designed according to rules of safety traffic regulations. The towing hitch is a safety component and can be install only by qualified personnel. Any alteration or conversion of the towing hitch is prohibited and would lead to cancellation of design certification. Remove insulating compound and underseal from vehicle (if present) in the area of the matting surfaces of the towing hitch.

The vehicle manufacturer's specifications regarding trailer load and max. vertical cup load are decisive for driving, and values for the towing hitch cannot be exceeded.

D-value formula:

$$\frac{\text{Max trailer weight [kg]} \times \text{Max vehicle weight [kg]}}{\text{Max trailer weight [kg]} + \text{Max vehicle weight [kg]}} \times \frac{9,81}{1000} = D \text{ [kN]}$$