

AUTO-HAK Sp. z o.o.

ul. Słoneczna 16K 76-200 SŁUPSK
POLAND

tel/fax +48 59 8 414 414; +48 59 8 414 413

e-mail: office@autohak.com.pl

www.autohak.com.pl



AUTO-HAK



**FIAT PANDA II
2WD (5D)**

Cat. no:

R34A



09.2003 → 02.2012



E20-55R-01 4707



6,9 kN



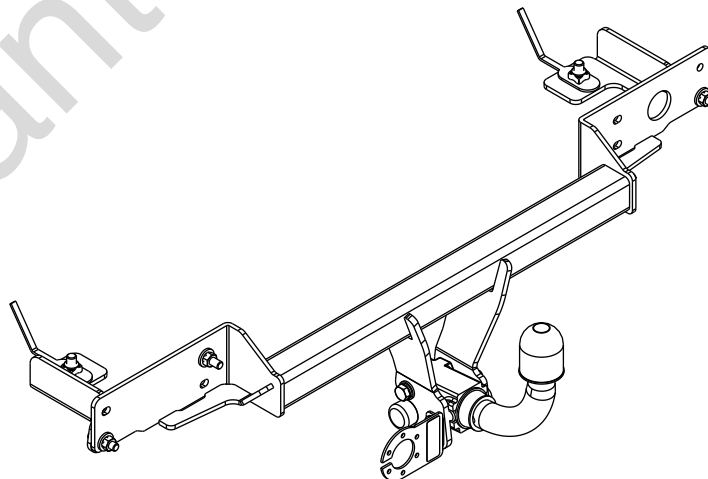
R=1300 kg



S=75 kg



2h



**M6 - 11 Nm
M10 - 50 Nm
M14 - 138 Nm**

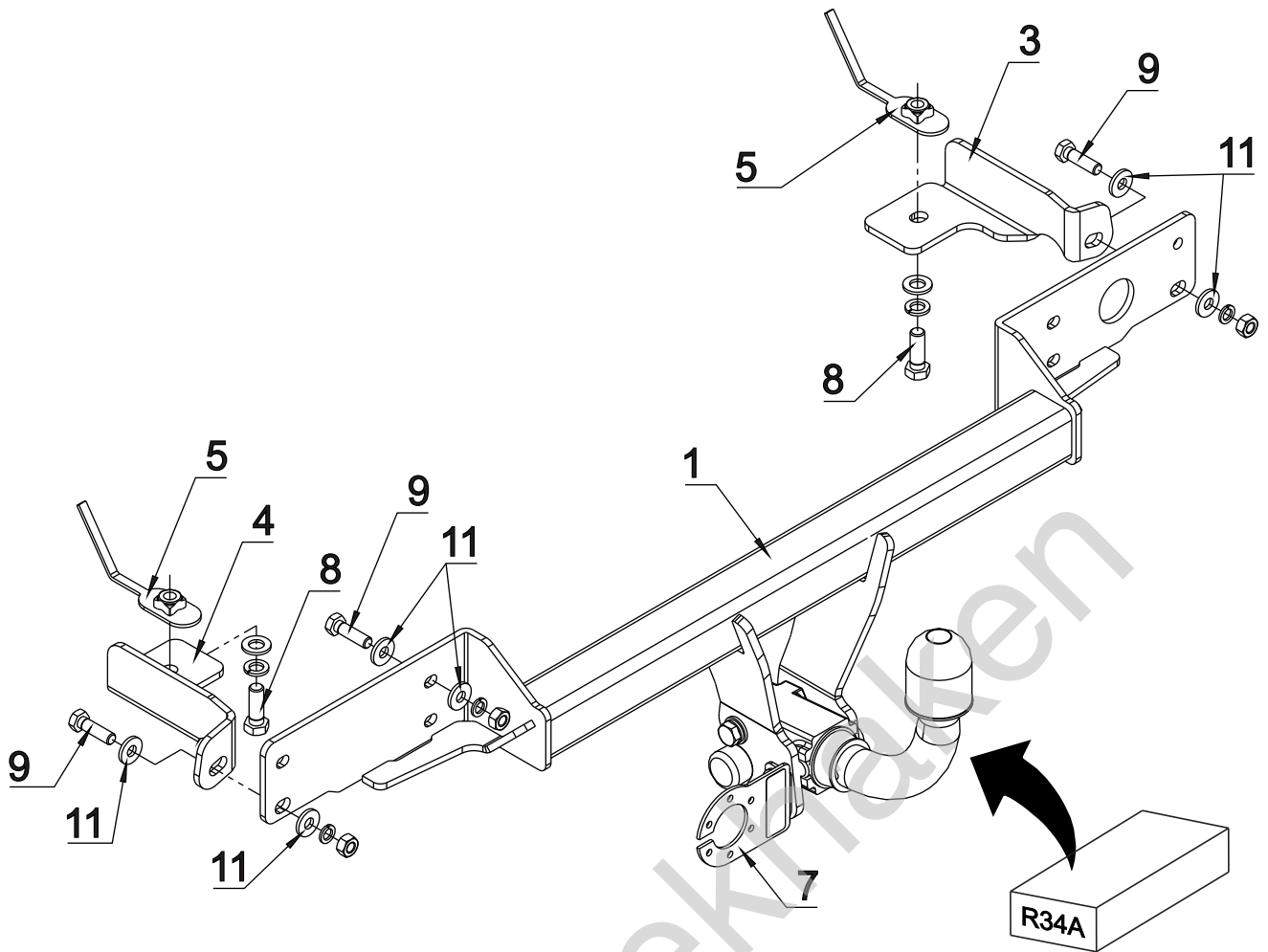
**M8 - 25 Nm
M12 - 87 Nm
M16 - 210 Nm**

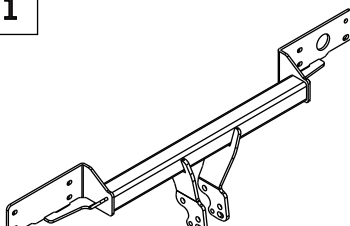

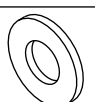
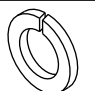
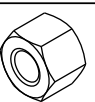
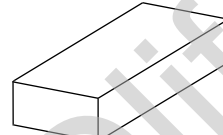
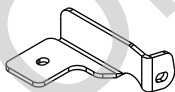
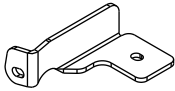


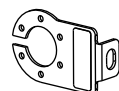


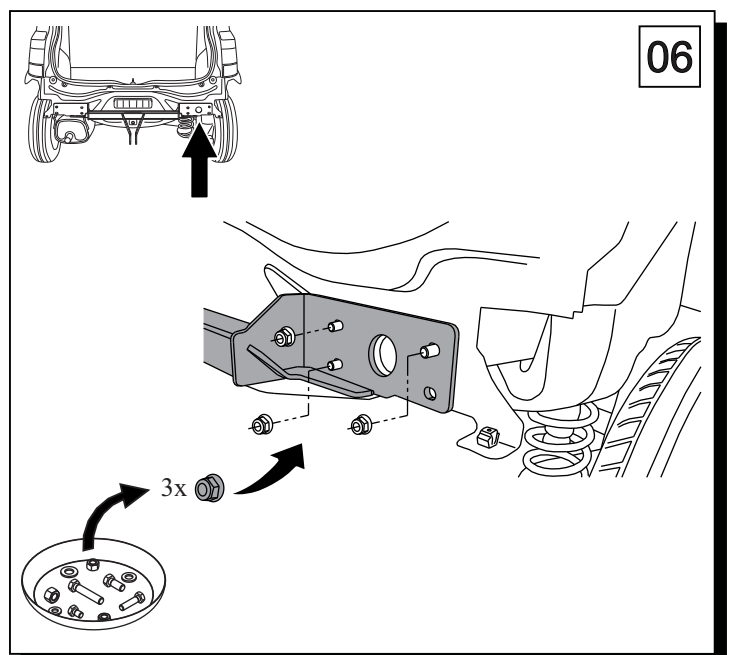
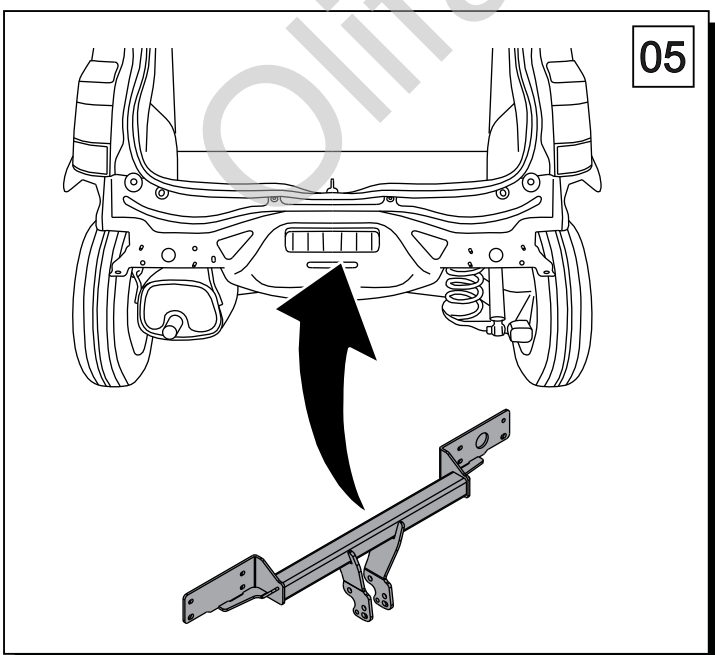
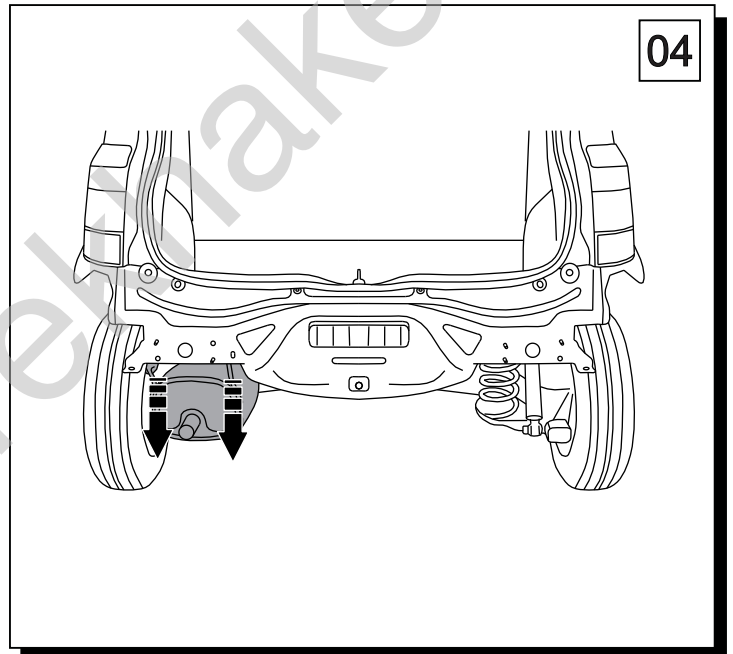
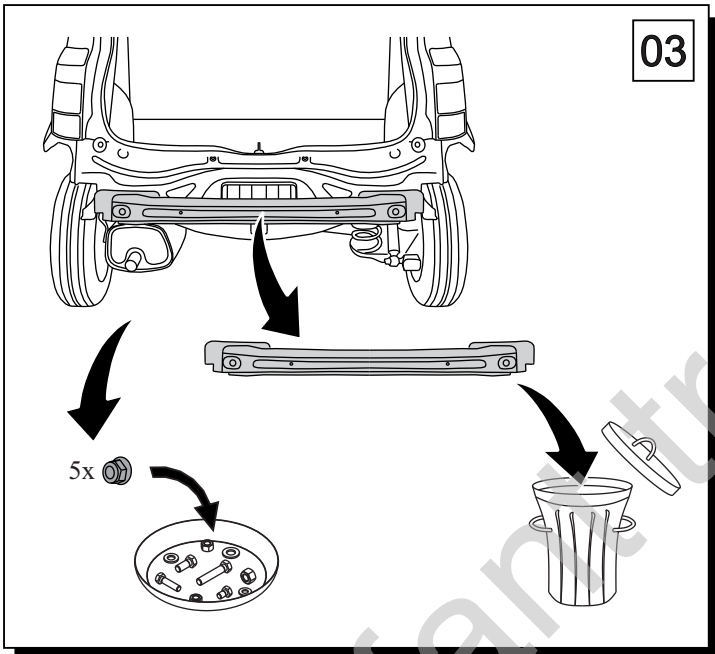
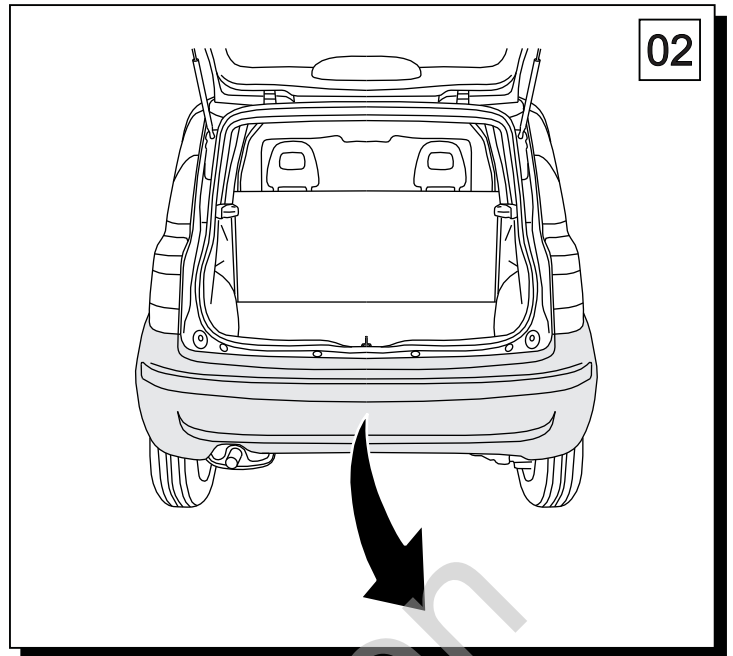
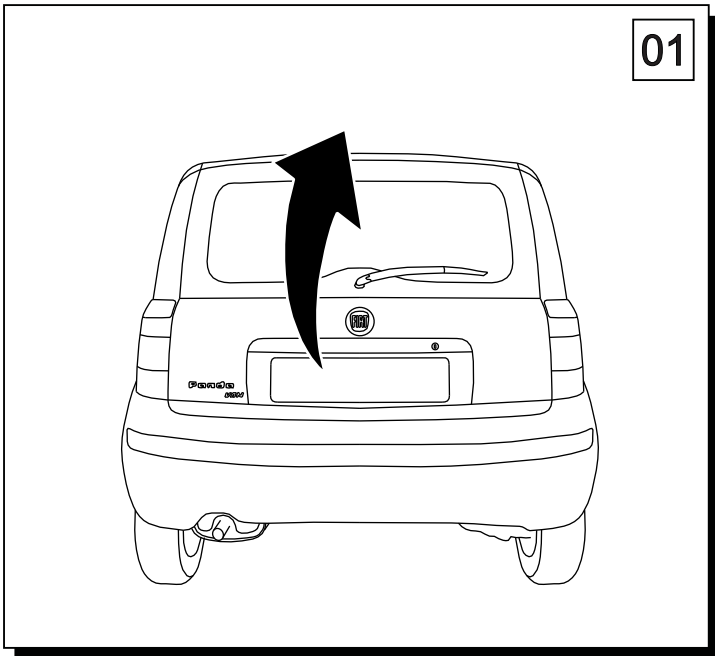
0 km →

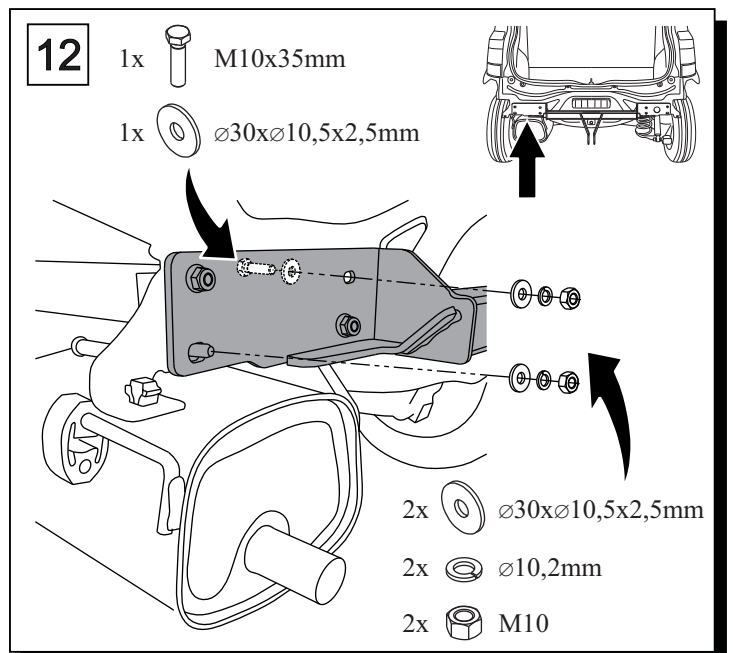
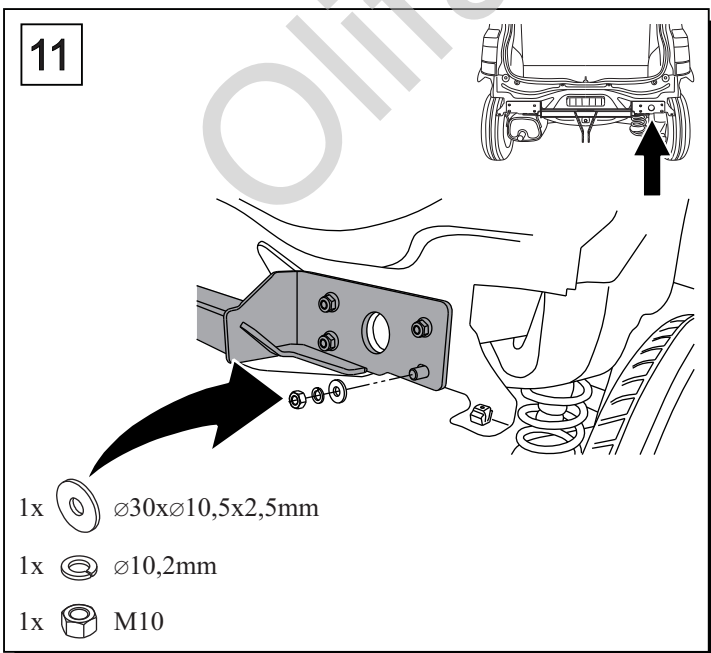
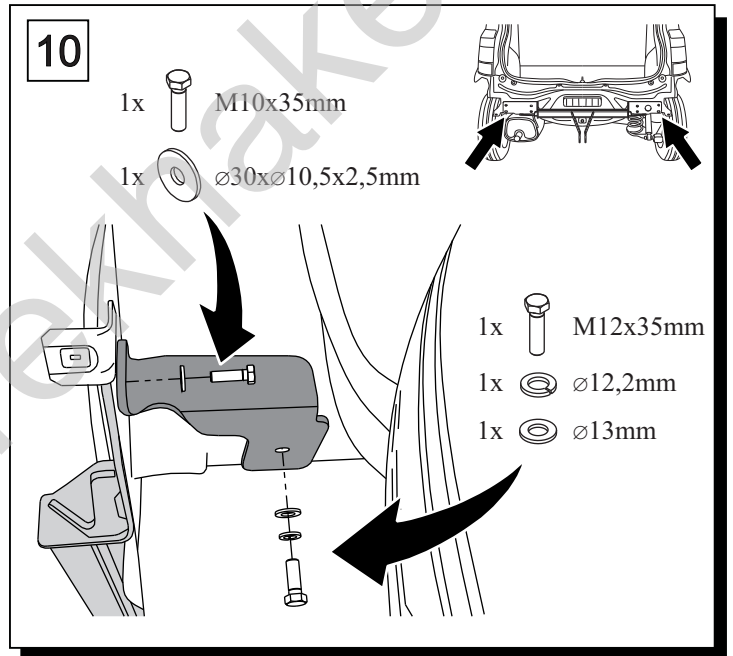
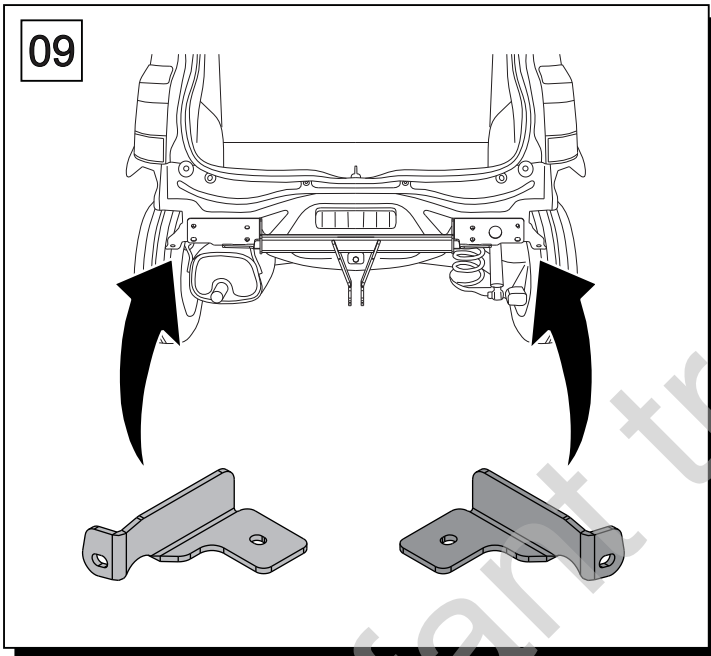
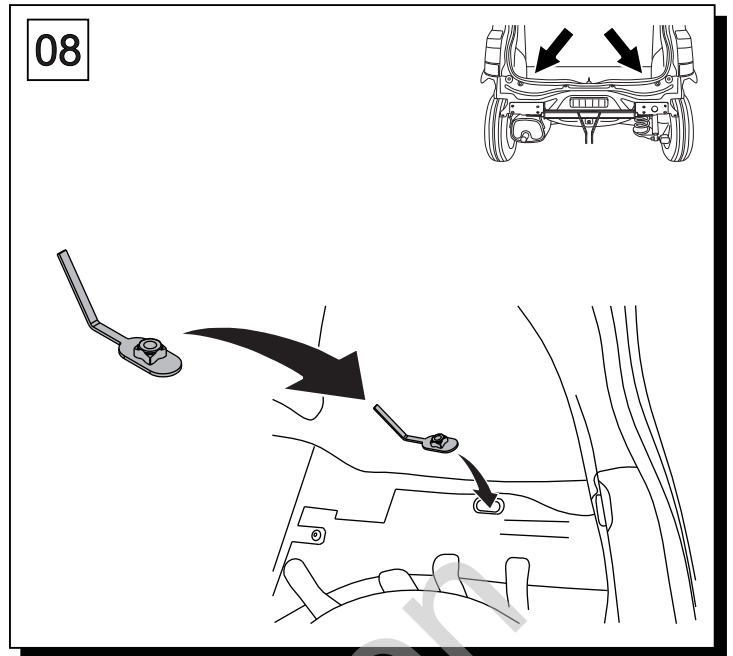
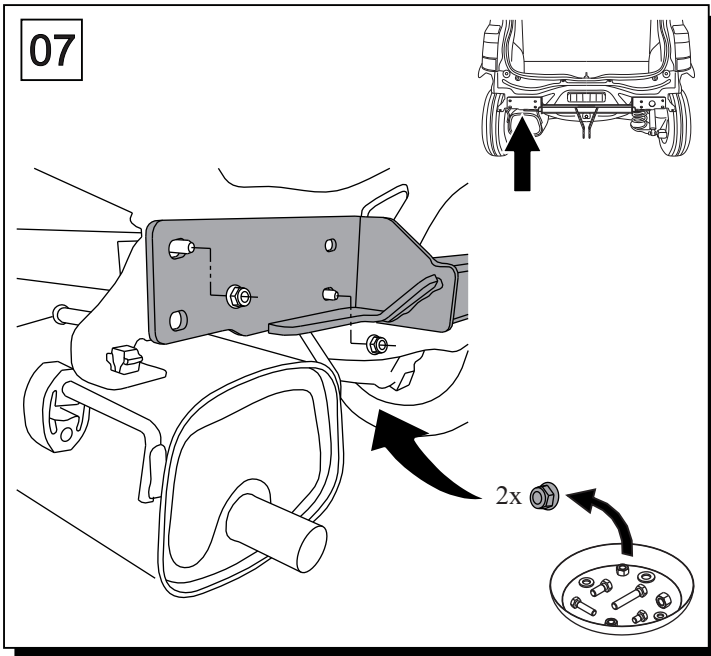


1000 km

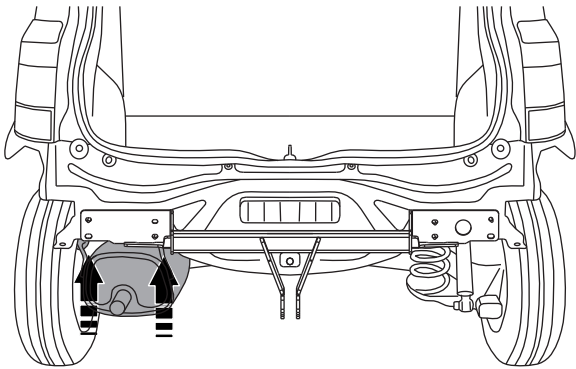


1		x1		8 M12x35	x2
				9 M10x35	x3
				10 \varnothing 13	x2
				11 \varnothing 30x \varnothing 10.5x2.5 10 (DIN 9021)	x6
				12 \varnothing 12.2	x2
				13 \varnothing 10.2	x3
				14 M10	x3
2	 Art.nr-KL1R34A	x1			
3		x1			
4		x1			
5		x2			
6	 \varnothing 4x12mm	x4			
7	 Art.nr-BL1R34A	x1			

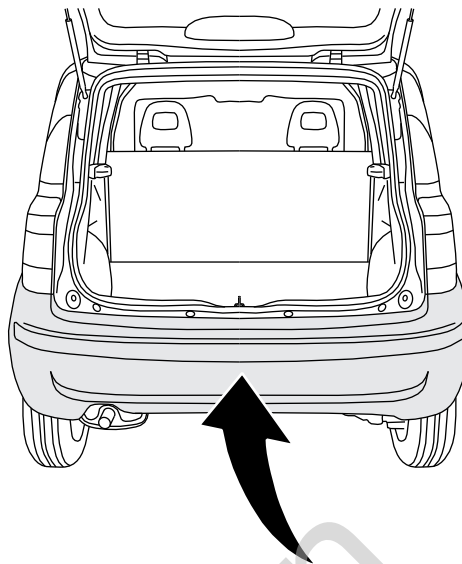




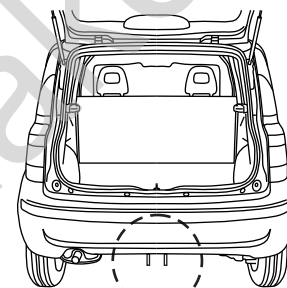
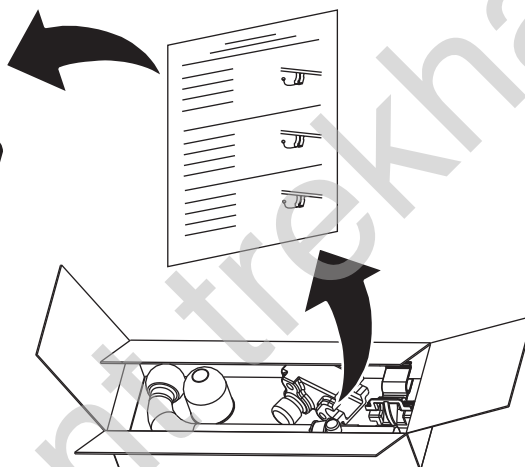
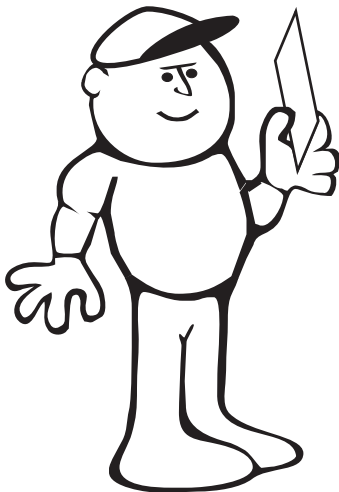
13



14



15



+

