

AUTO-HAK Sp. z o.o.

ul. Słoneczna 16K 76-200 SŁUPSK
POLAND

tel/fax +48 59 8 414 414; +48 59 8 414 413

e-mail: office@autohak.com.pl

www.autohak.com.pl



AUTO-HAK



CITROEN DS5, 5D

~~HYBRID~~

Cat. no:

P43A



02.2012 →



E20-55R-01 4521



2h



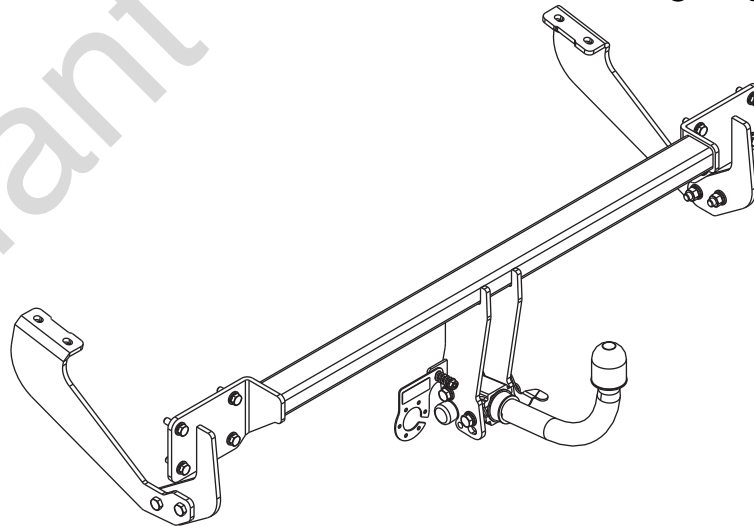
8,65 kN



R=1500 kg



S=75 kg



M6 - 11 Nm
M10 - 50 Nm
M14 - 138 Nm

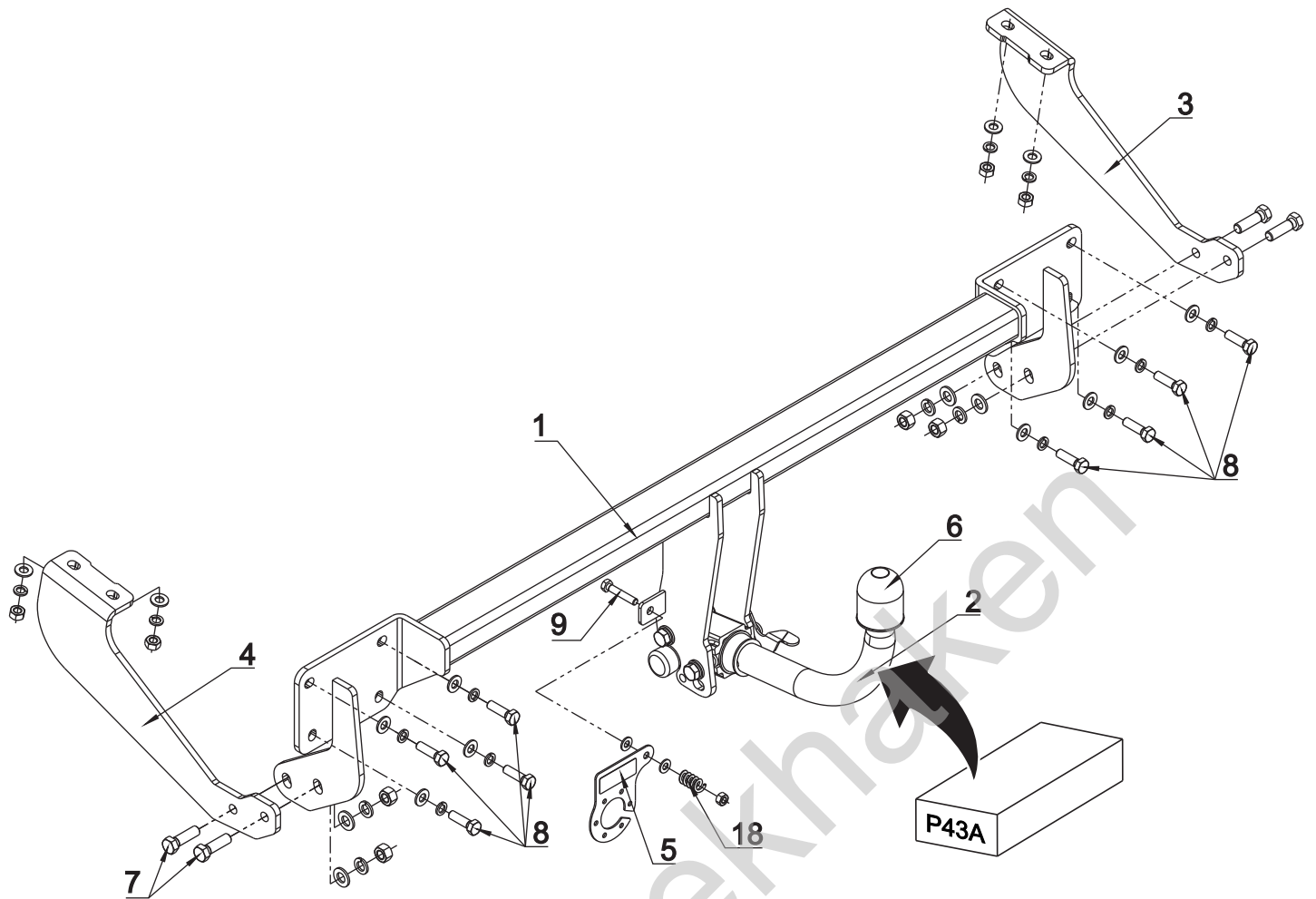
M8 - 25 Nm
M12 - 87 Nm
M16 - 210 Nm

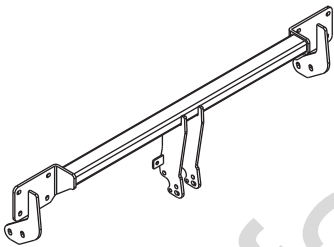

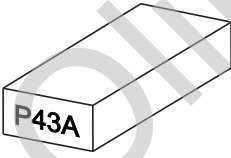





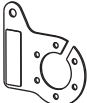






0 km →

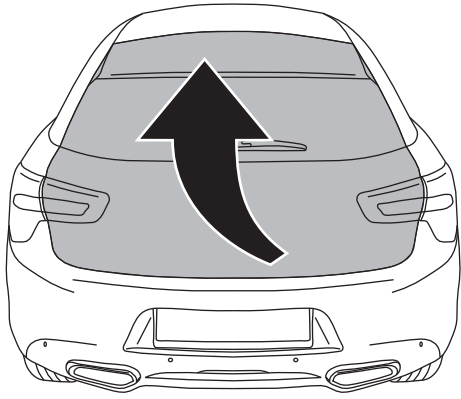


1000 km

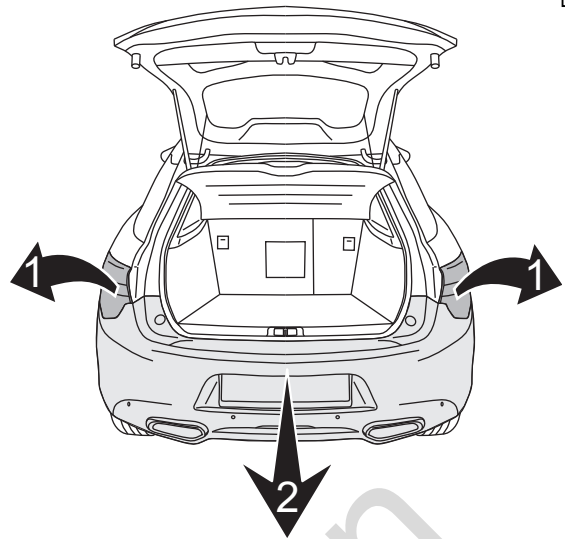


1		x1		7	M12x40	x4
				8	M10x35	x8
2		x1		9	M8x45	x1
				10	∅ 13	x4
3		x1		11	∅ 10.5	x12
				12	∅ 8.3	x2
4		x1		13	∅ 12.2	x4
				14	∅ 10.2	x12
5		x1		15	M12	x4
				16	M10	x4
6		x1		17	M8	x1
				18		x1
Art.nr-KL1P43A						
Art.nr-BL1P43A						

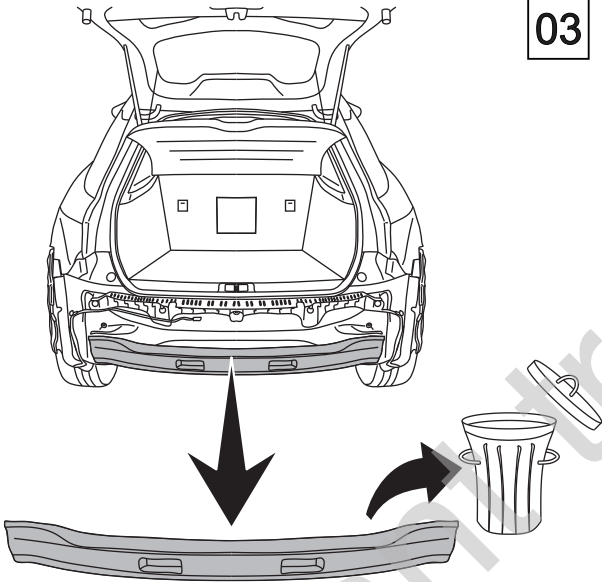
01



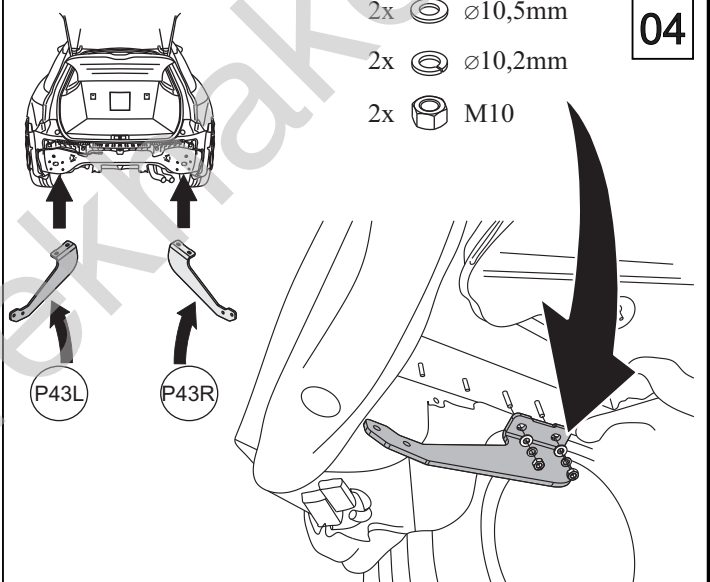
02



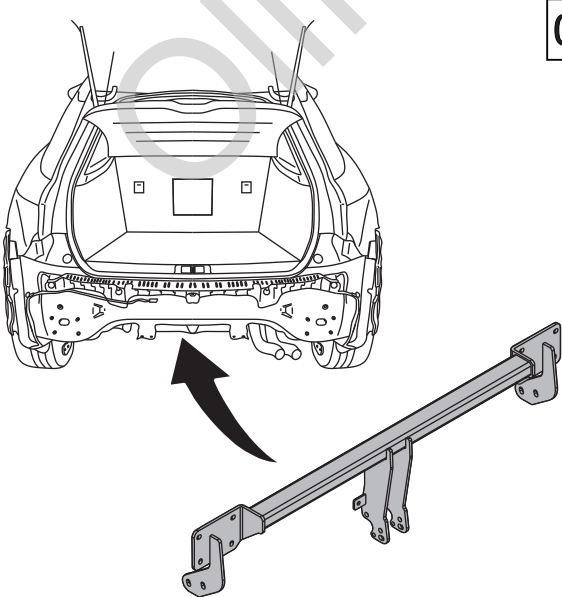
03



04



05



06

