

# AUTO-HAK Sp. z o.o.

ul. Słoneczna 16K 76-200 SŁUPSK  
POLAND

tel/fax +48 59 8 414 414; +48 59 8 414 413

e-mail: [office@autohak.com.pl](mailto:office@autohak.com.pl)

[www.autohak.com.pl](http://www.autohak.com.pl)



# AUTO-HAK



## CITROEN C2 3D

Cat. no:

**P42A**



10.2003 → 08.2005

09.2005 → 2010



E20-55R-01 4352



1h

**D**

4,2 kN



R=600 kg



-

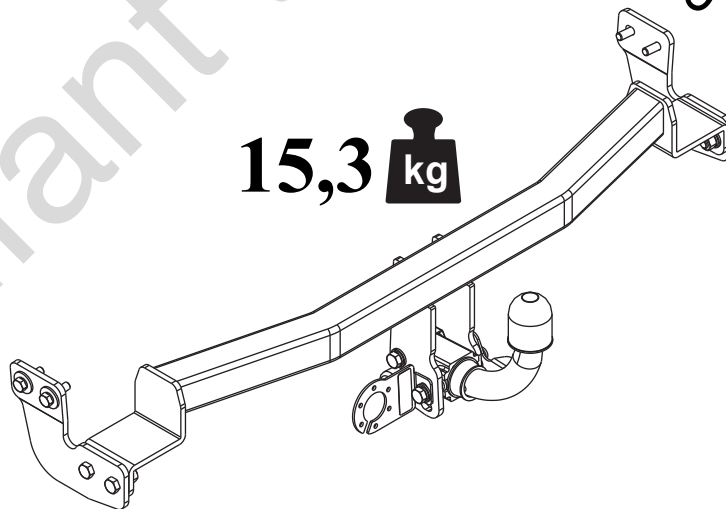


S=27 kg



-

15,3 kg



M6 - 11 Nm  
M10 - 50 Nm  
M14 - 138 Nm

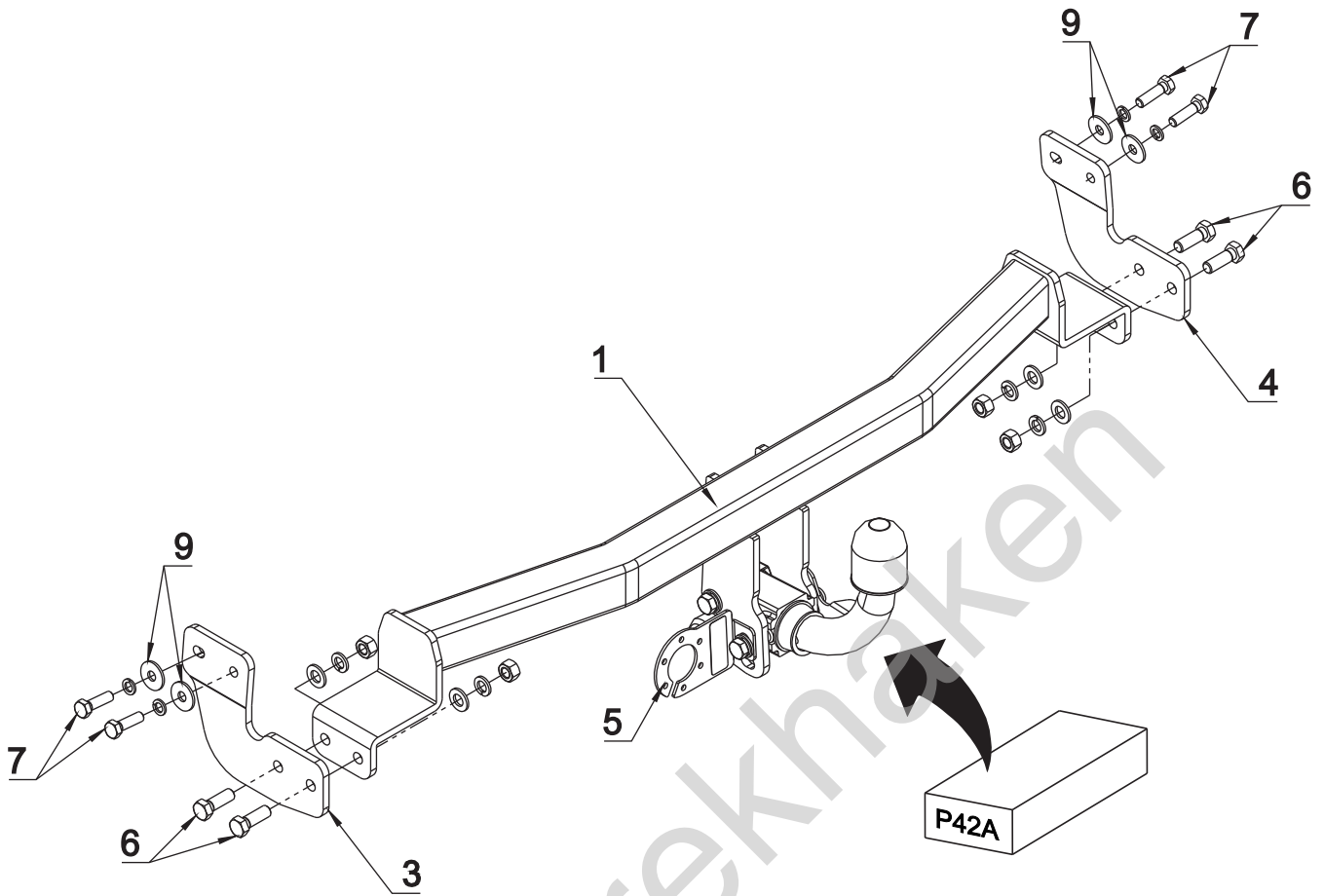
M8 - 25 Nm  
M12 - 87 Nm  
M16 - 210 Nm

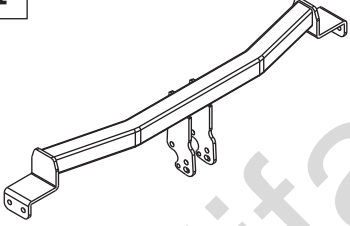

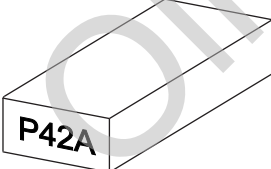

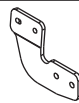
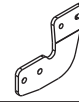
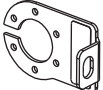


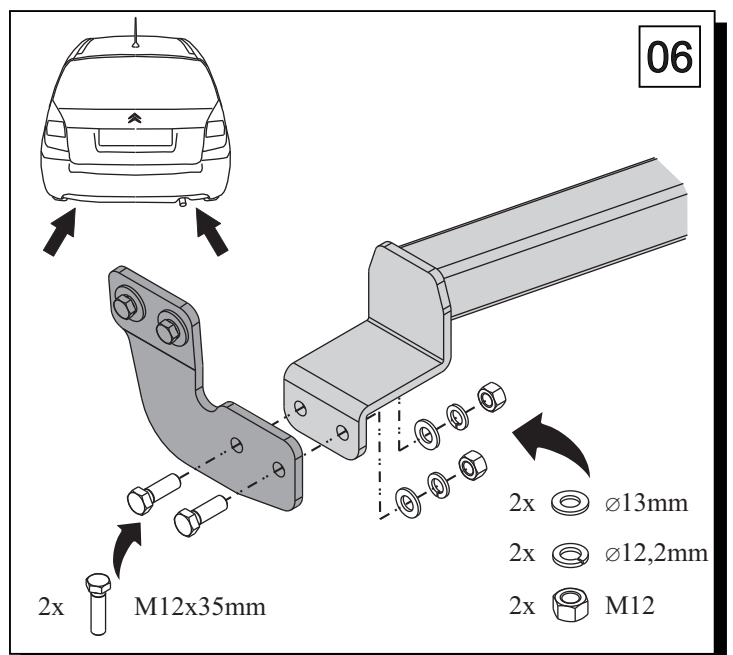
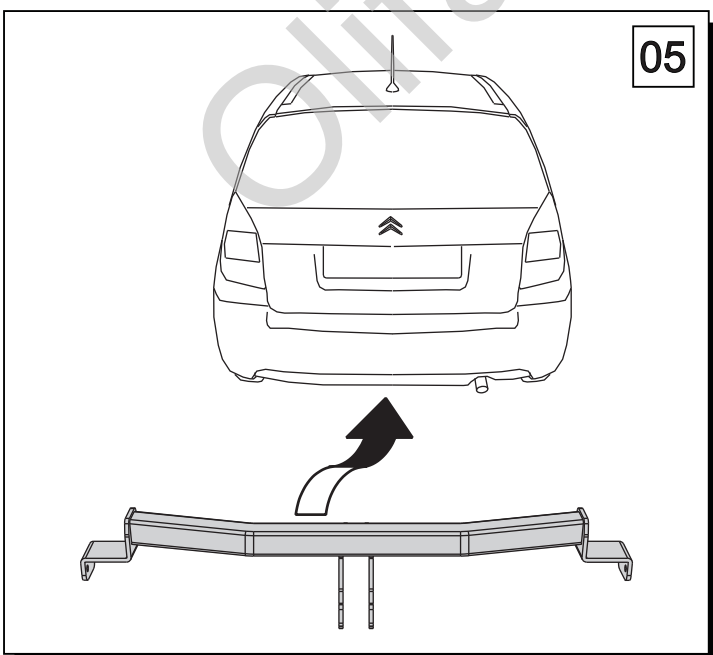
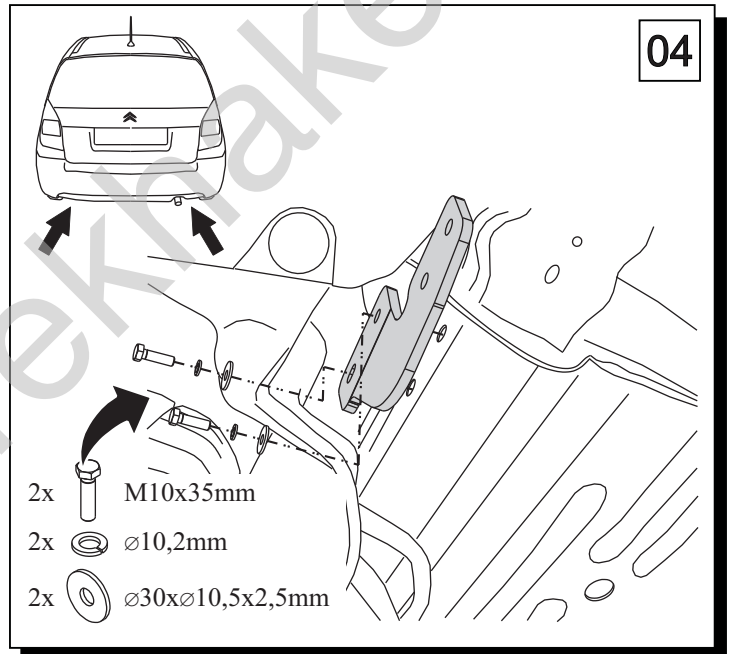
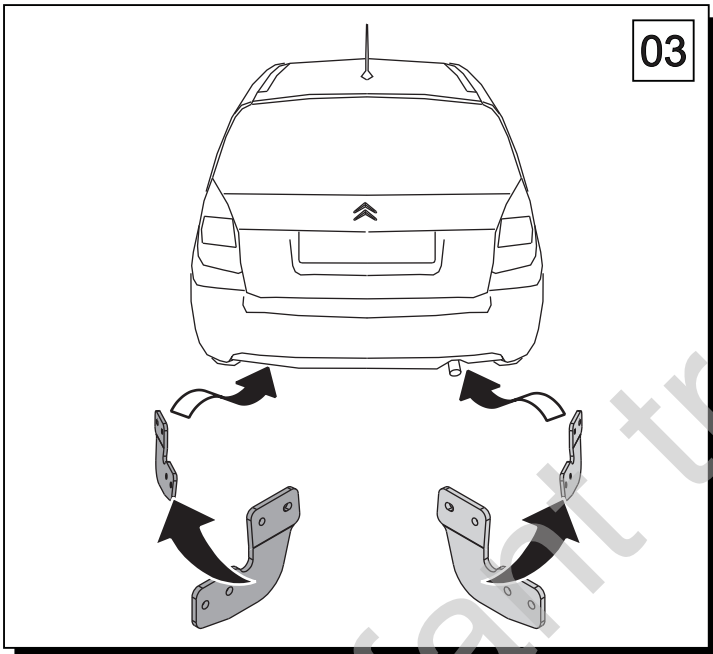
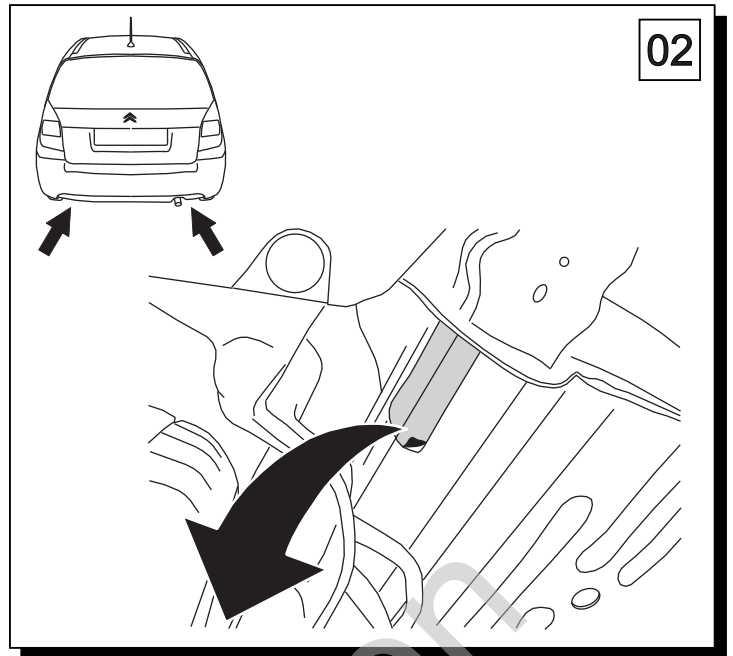
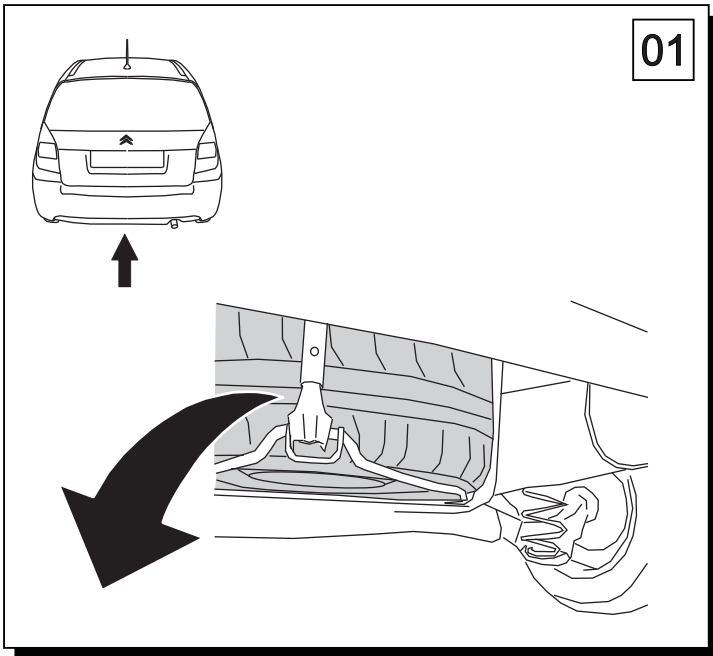
0 km →



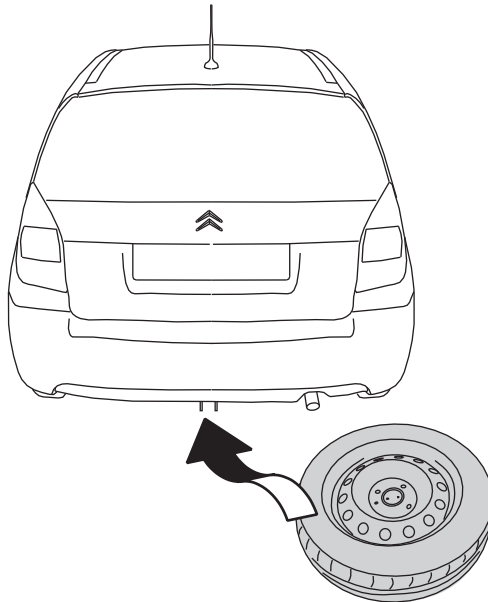
1000 km



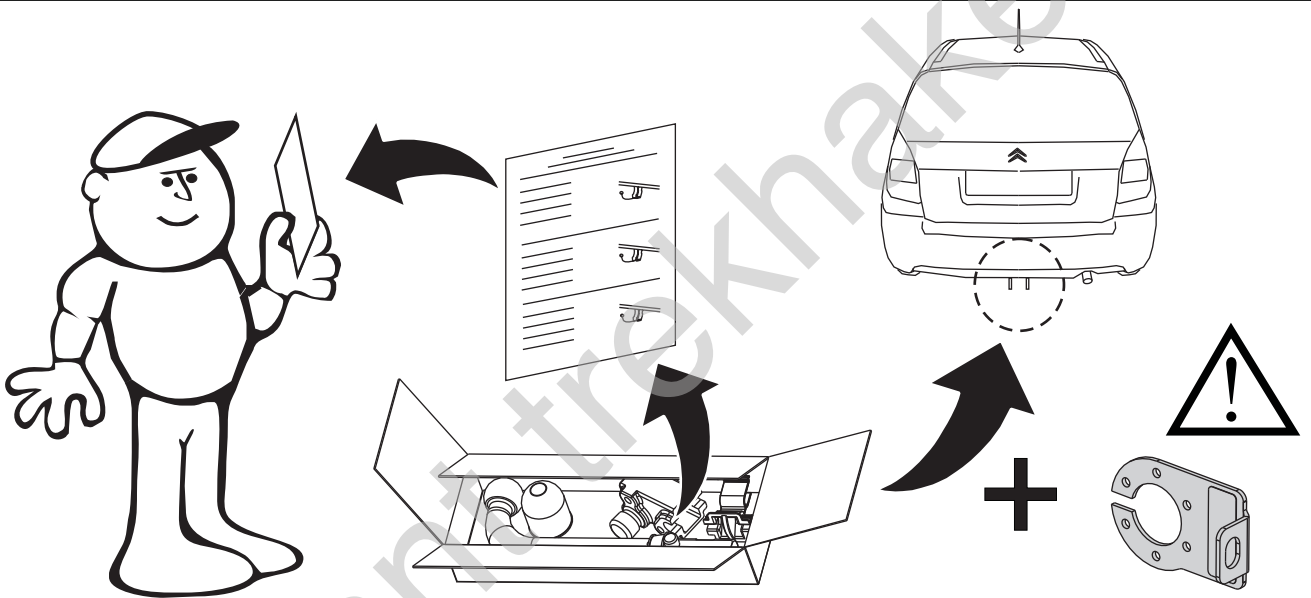
<b>1</b> 	<b>x1</b>		<b>6</b> M12x35	<b>x4</b>
			<b>7</b> M10x35	<b>x4</b>
			<b>8</b> $\varnothing$ 13	<b>x4</b>
			<b>9</b> $\varnothing$ 30x $\varnothing$ 10.5x2.5 10 (DIN 9021)	<b>x4</b>
<b>2</b> 	<b>x1</b>		<b>10</b> $\varnothing$ 12.2	<b>x4</b>
			<b>11</b> $\varnothing$ 10.2	<b>x4</b>
			<b>12</b> M12	<b>x4</b>
<b>3</b>		<b>x1</b>		
<b>4</b>		<b>x1</b>		
<b>5</b>		<b>x1</b>		Art.nr-BL1P42A



07



08



M6 - 11 Nm  
M10 - 50 Nm  
M14 - 138 Nm

M8 - 25 Nm  
M12 - 87 Nm  
M16 - 210 Nm

0 km → 1000 km