

AUTO-HAK Sp. z o.o.

ul. Słoneczna 16K 76-200 SŁUPSK
POLAND

tel/fax +48 59 8 414 414; +48 59 8 414 413

e-mail: office@autohak.com.pl

www.autohak.com.pl



AUTO-HAK



CITROEN DS3
3D, ~~Racing Model~~

Cat. no:

P41A



02.2010 →



E20-55R-01 4041



7,0 kN



1,5h



R=1225 kg



S=80 kg



15 kg



M6 - 11 Nm
M10 - 50 Nm
M14 - 138 Nm

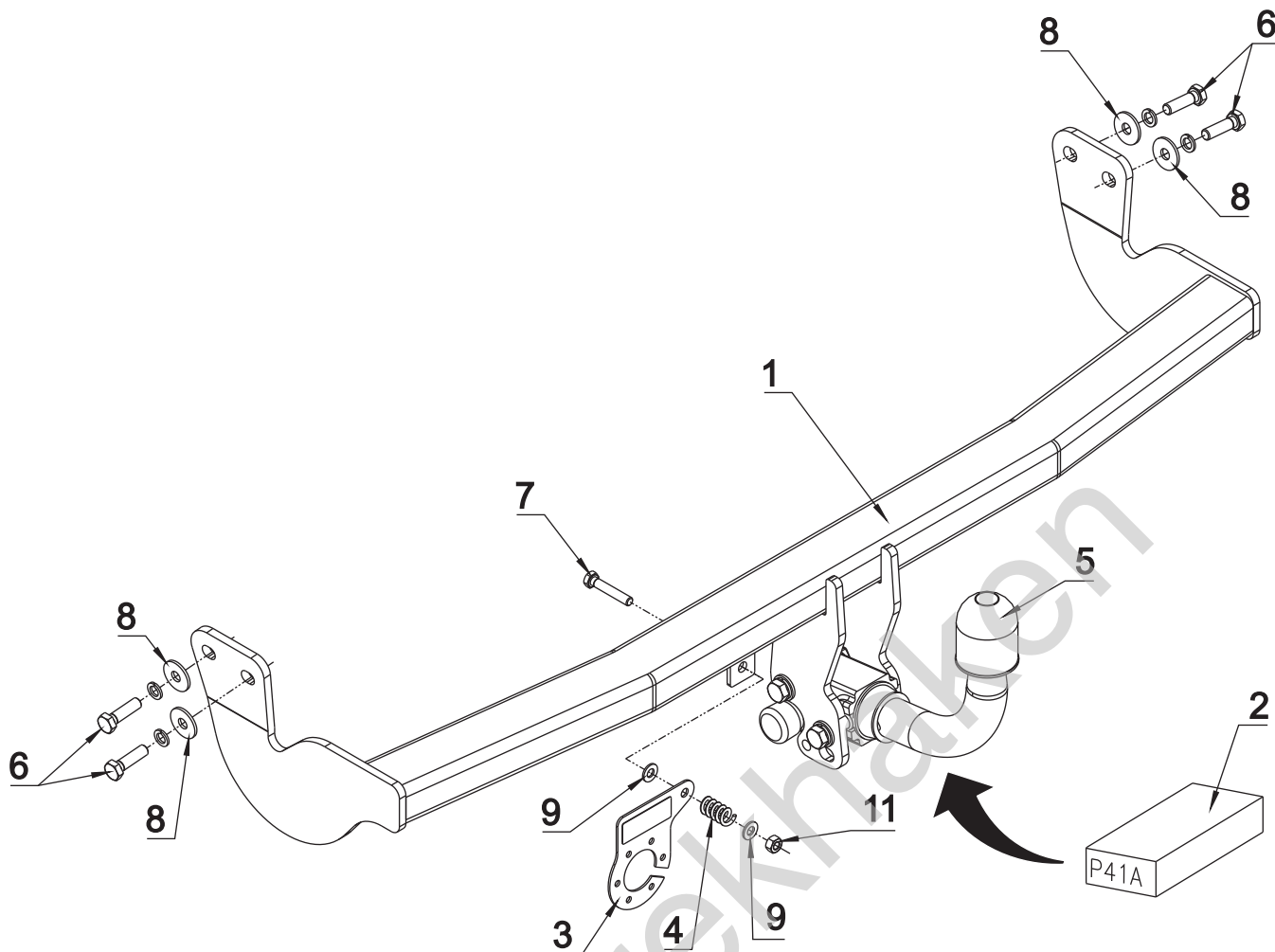
M8 - 25 Nm
M12 - 87 Nm
M16 - 210 Nm

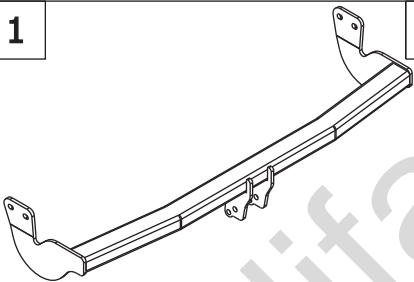



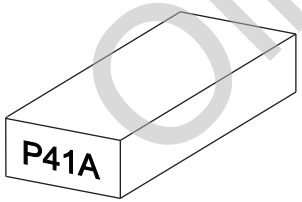

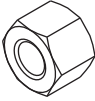
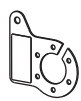
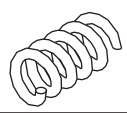



0 km →



1000 km



	x 1		6 M10x35	x 4		
				7 M8x45	x 1	
					8 ϕ 30x ϕ 10.5x2.5 10 (DIN 9021)	x 4
					9 ϕ 8.4	x 2
	x 1		10 ϕ 10.2	x 4		
				11 M8	x 1	
				Art.nr-KL1P41A		
	x 1	Art.nr-BL1P41A				
	x 1					
	x 1					

