

# AUTO-HAK Sp. z o.o.

ul. Słoneczna 16K 76-200 SŁUPSK  
POLAND

tel/fax +48 59 8 414 414; +48 59 8 414 413

e-mail: [office@autohak.com.pl](mailto:office@autohak.com.pl)

[www.autohak.com.pl](http://www.autohak.com.pl)



# AUTO-HAK



CITROEN DS4, 5D

Cat. no:

**P40A**



04.2011 →



E20-55R-01 4044

**D**

9,2 kN



2h



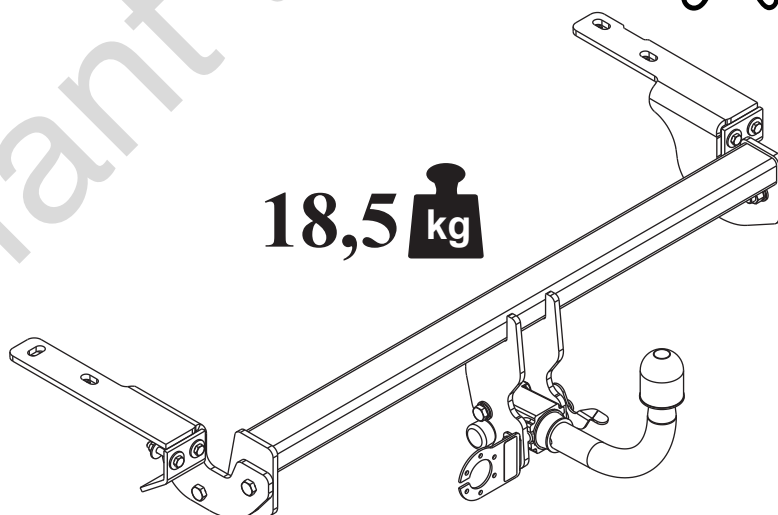
R=1800 kg



S=75 kg



18,5 kg



M6 - 11 Nm  
M10 - 50 Nm  
M14 - 138 Nm

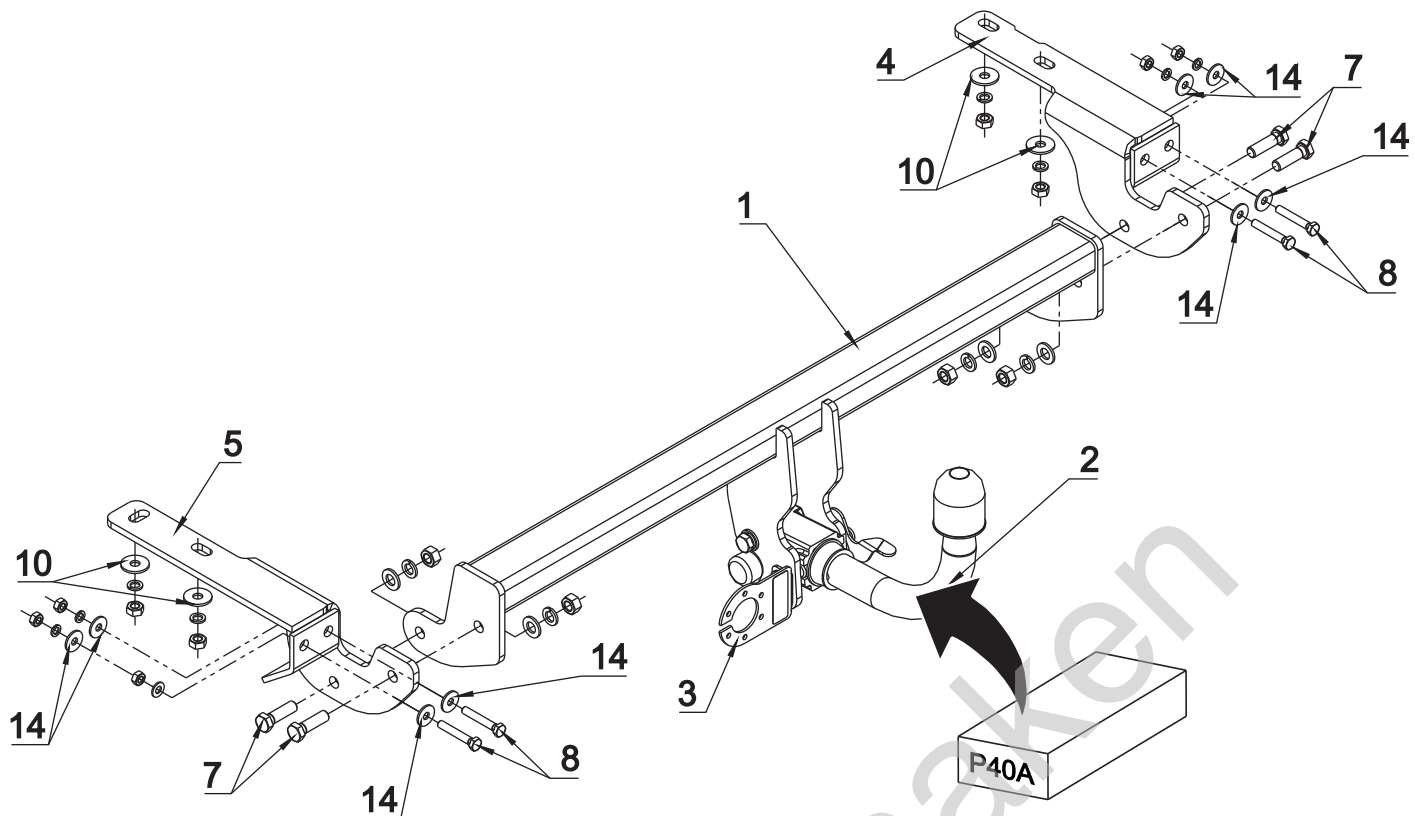
M8 - 25 Nm  
M12 - 87 Nm  
M16 - 210 Nm

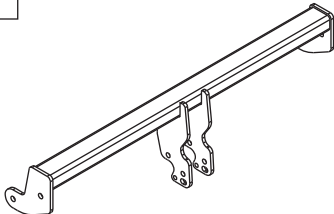

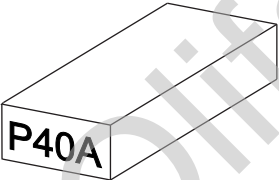

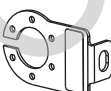

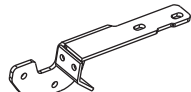

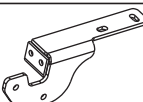





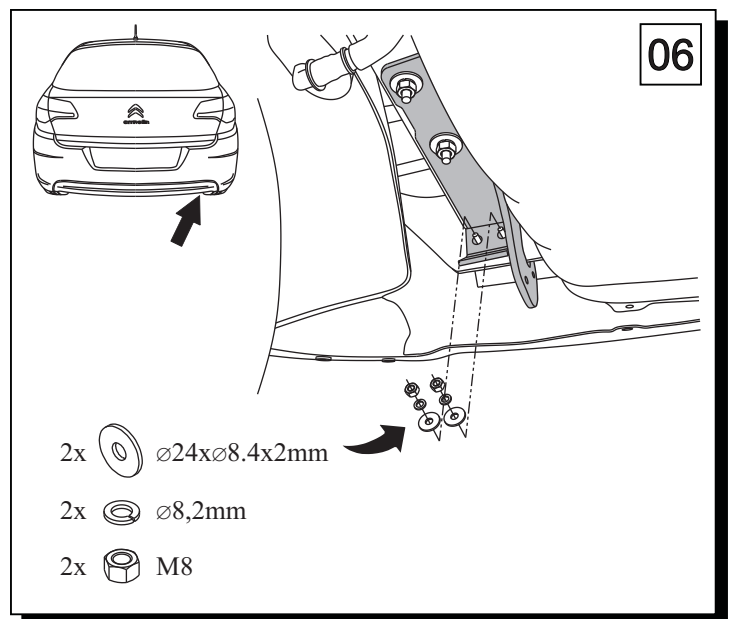
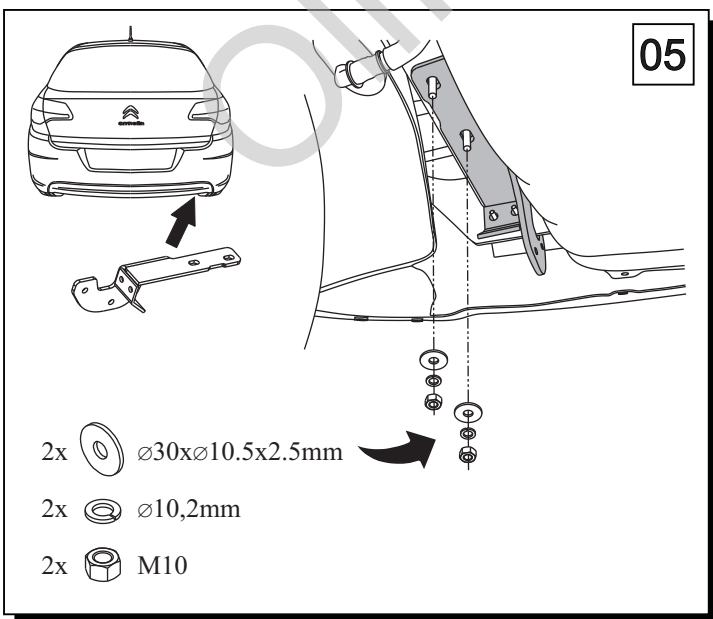
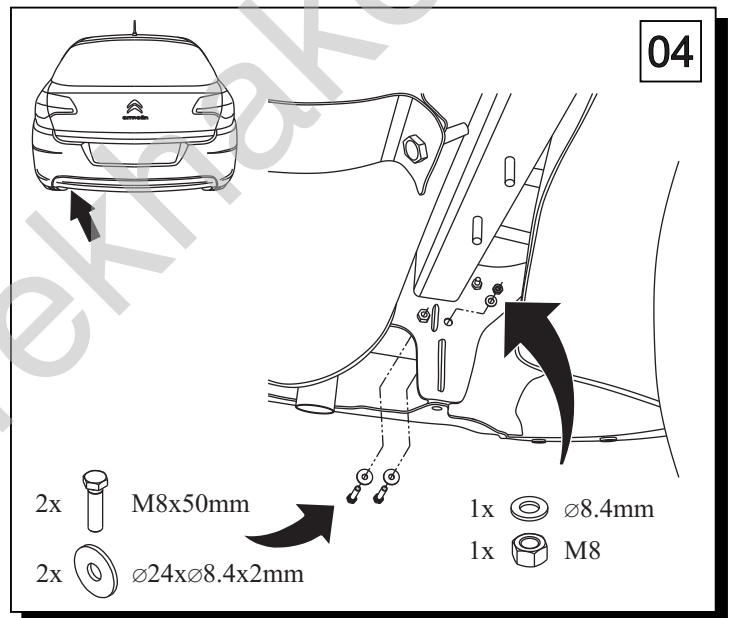
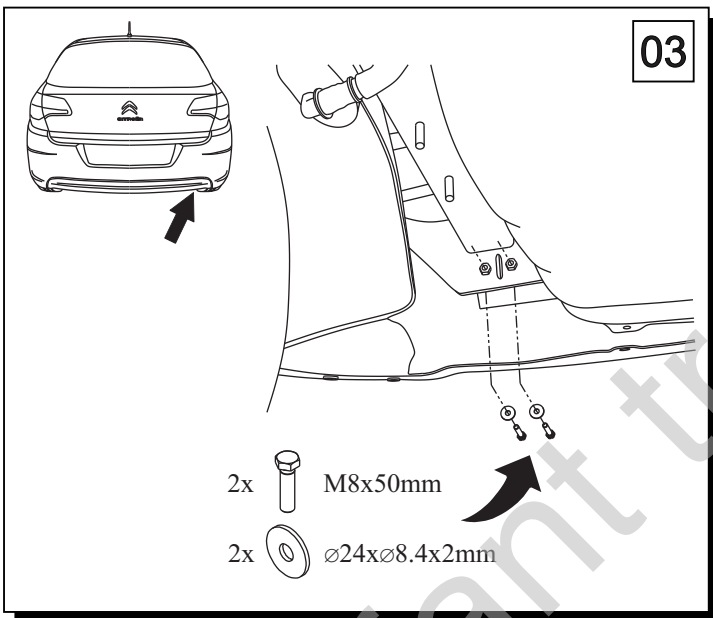
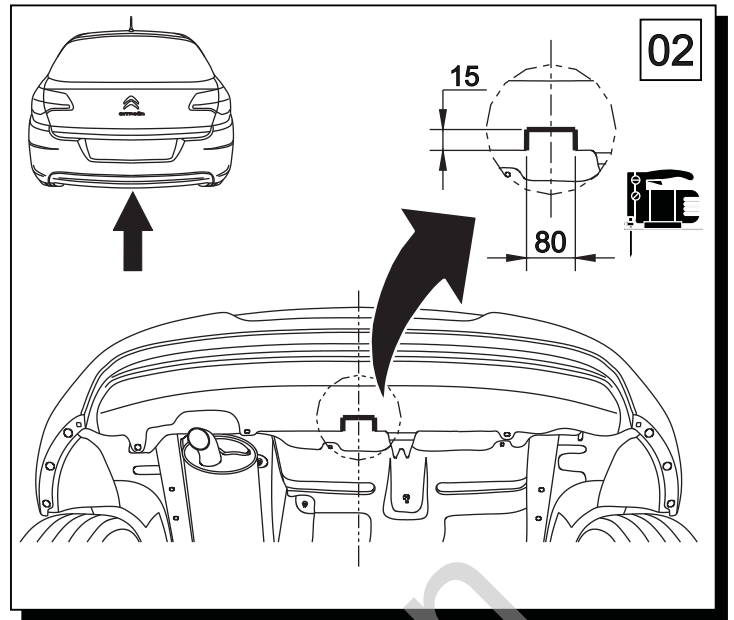
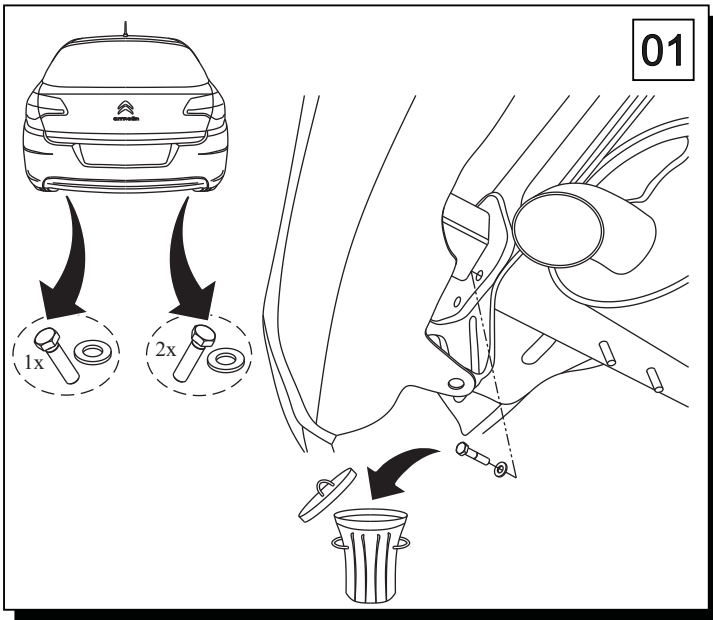
0 km →

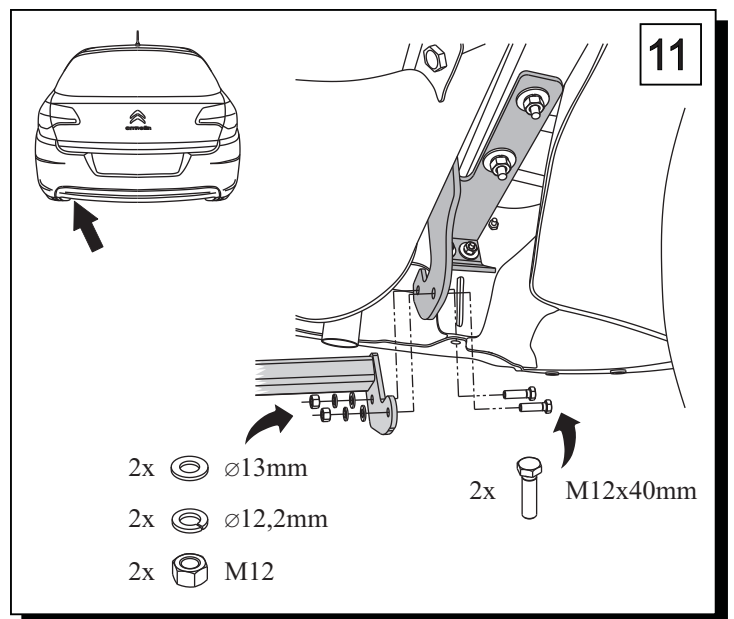
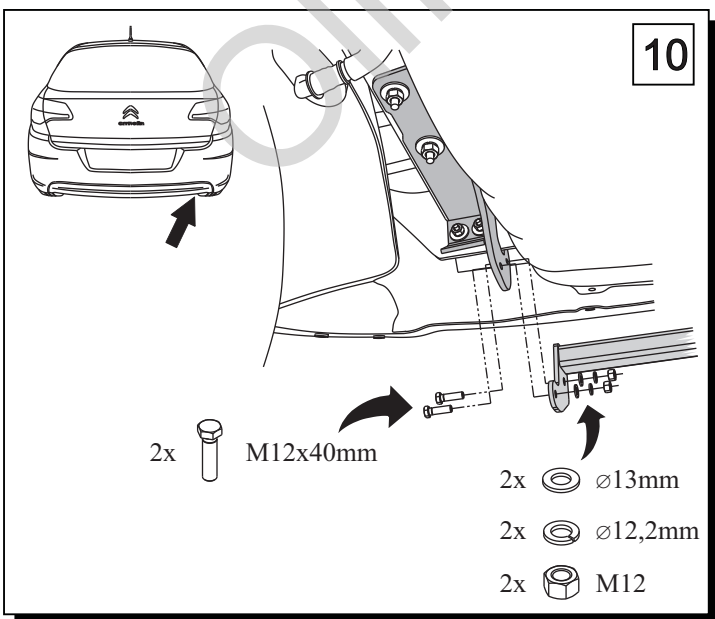
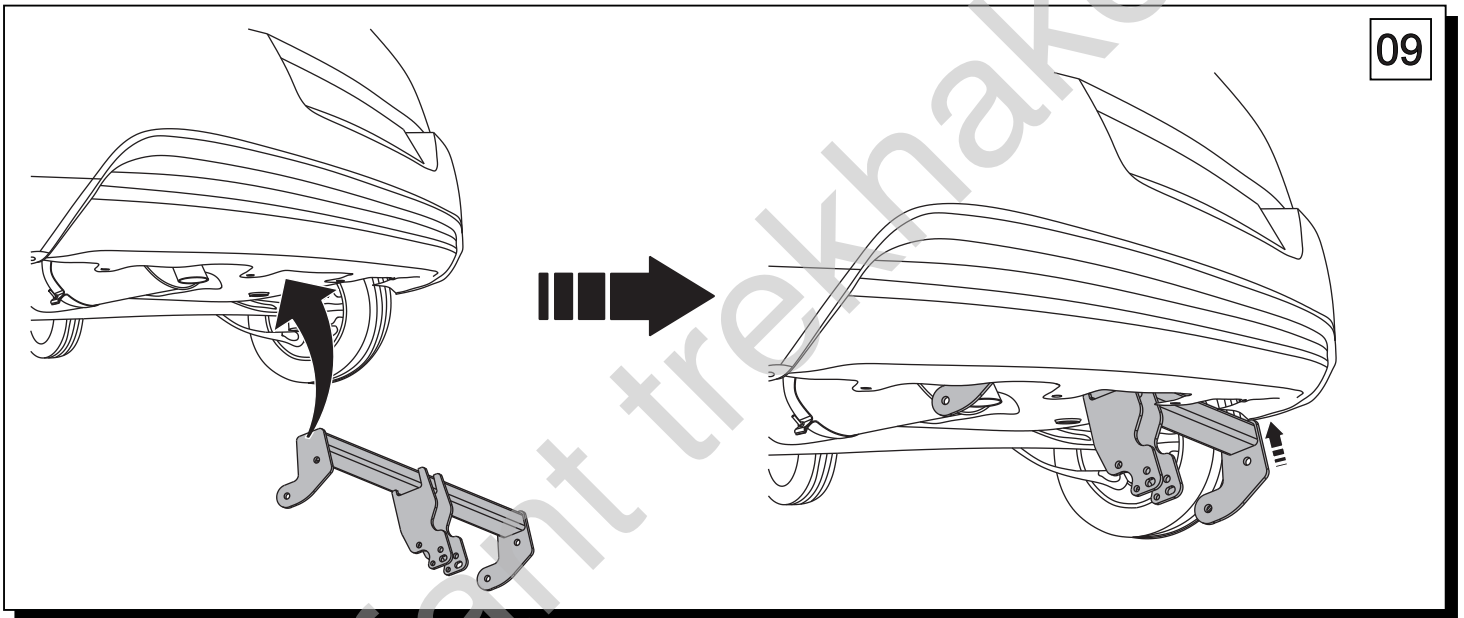
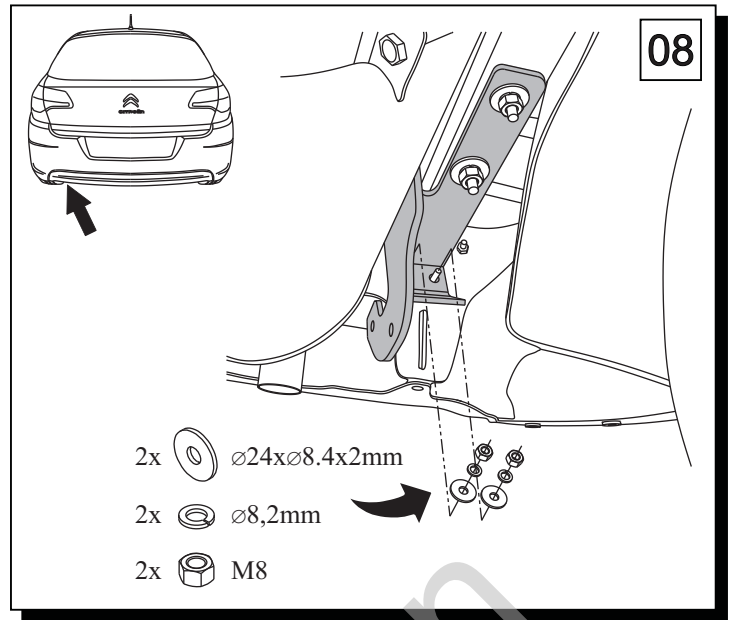
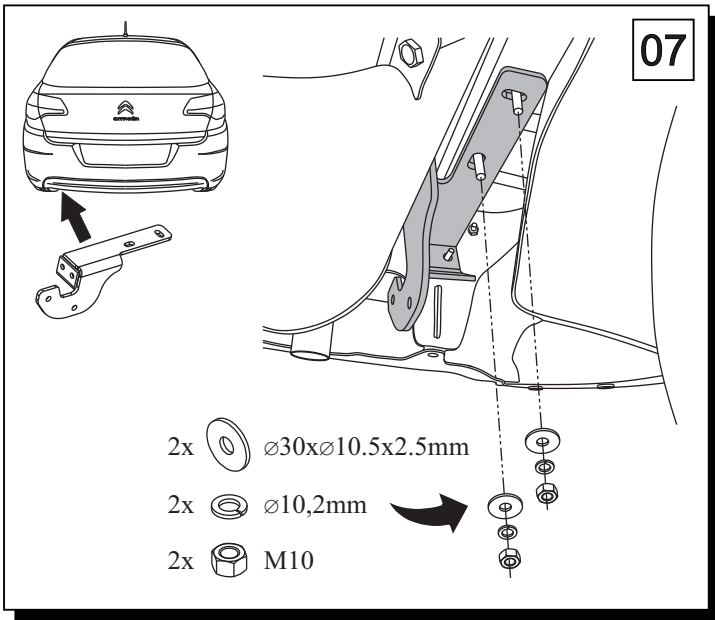


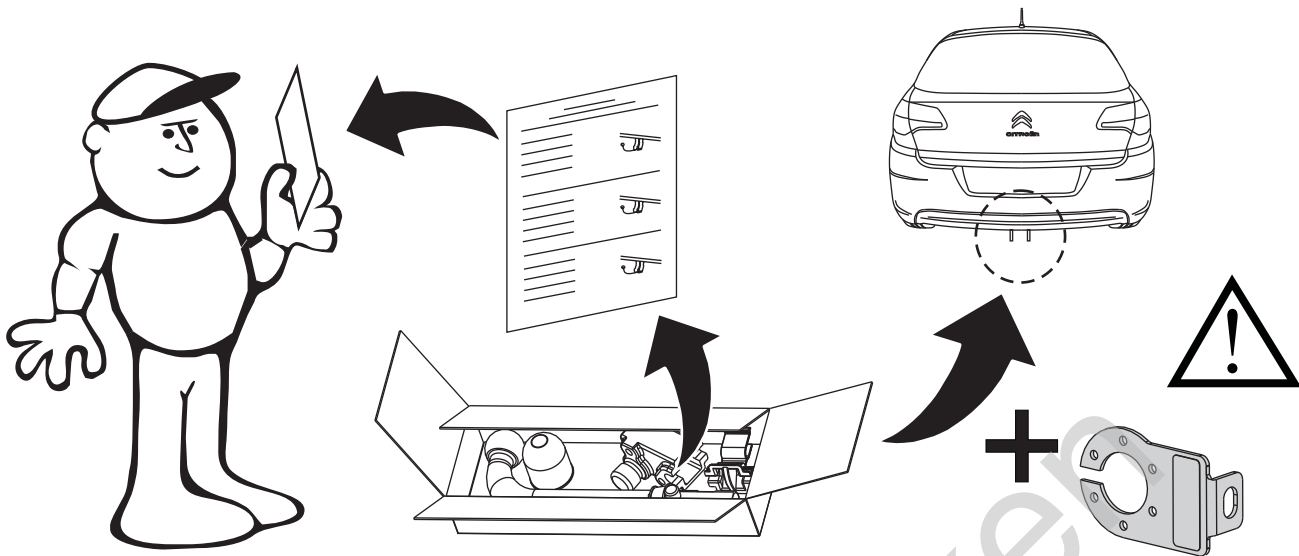
1000 km



1		x1		7	M12x40	4
				8	M8x50	4
2		x1		9	∅ 4	6
				10	∅ 30x∅10.5x2.5 10 DIN 9021	4
3		x1		11	∅ 8.5	1
				12	∅ 24x∅8.4x2 8 DIN 9021	8
4		x1		13	∅ 12.2	4
				14	∅ 10.2	4
5		x1		15	∅ 8.2	4
				16	M12	4
6		x1		17	M10	4
				18	M8	5







Olifant trekhake