

# AUTO-HAK Sp. z o.o.

ul. Słoneczna 16K 76-200 SŁUPSK  
POLAND

tel/fax +48 59 8 414 414; +48 59 8 414 413

e-mail: [office@autohak.com.pl](mailto:office@autohak.com.pl)

[www.autohak.com.pl](http://www.autohak.com.pl)



# AUTO-HAK

## CITROEN C4

CACTUS SUV

 09.2014 → 2018

CACTUS Facelift SUV


 2018 →

Nr kat.

**P39A**

 **E20** E20-55R-02 6812



**D** 6,01 kN

 **R=1000 kg**

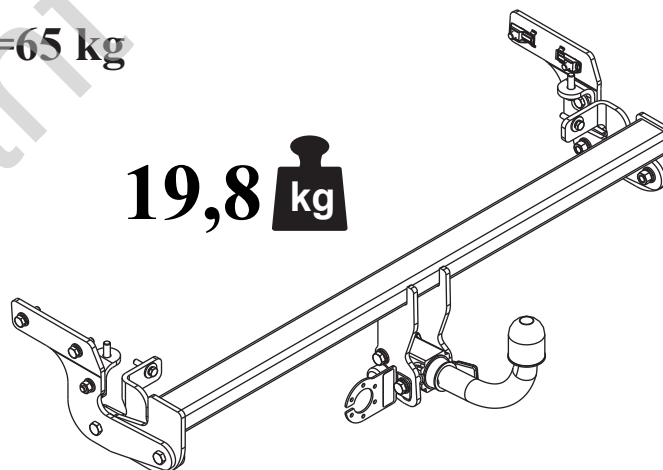
 **S=65 kg**

**19,8 kg**

  **2h**

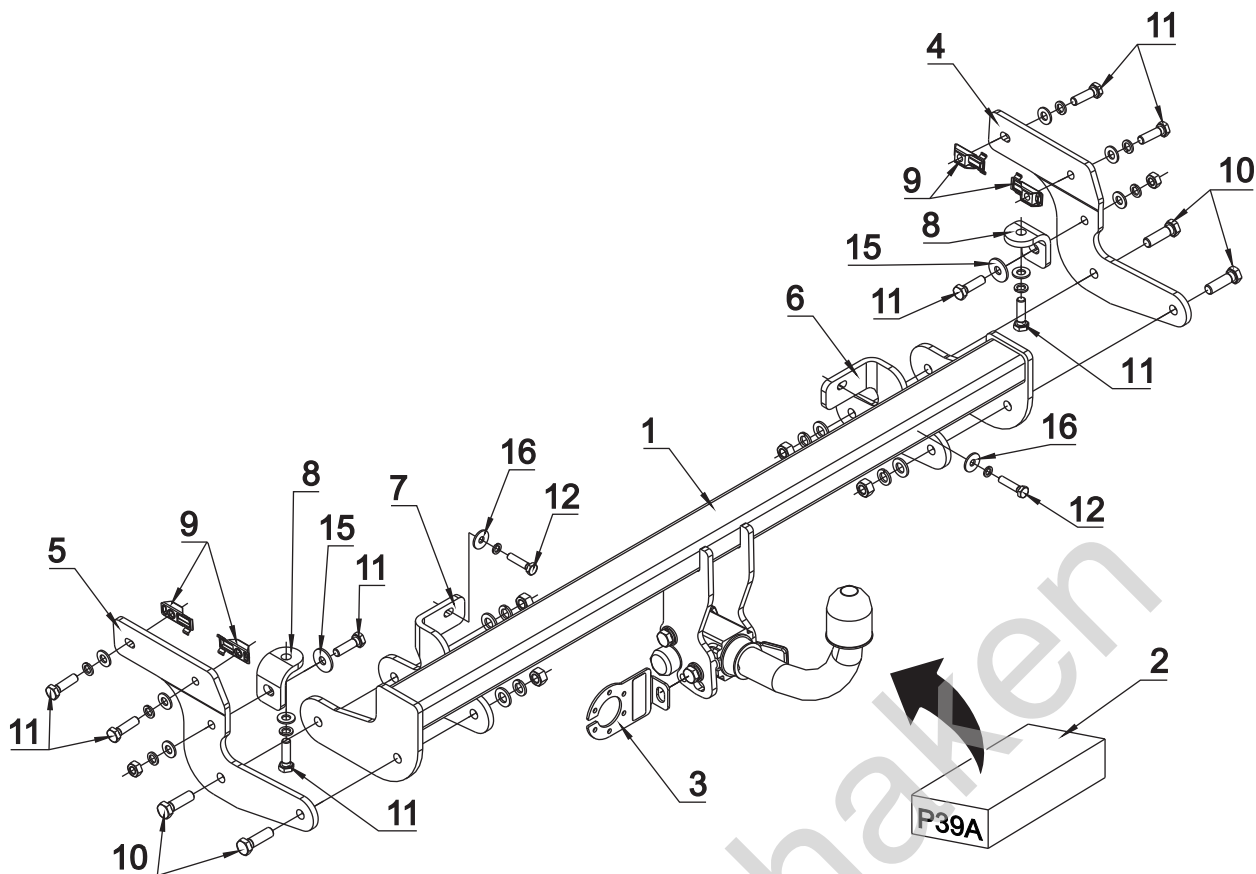
 

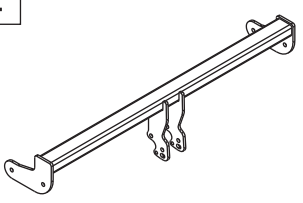


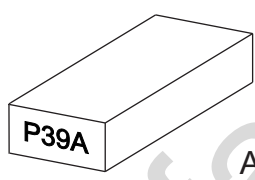
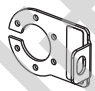



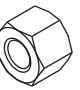


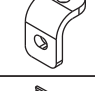

 



śruba Nm	M6	M8	M10	M12	M14	M16
klasa 8.8	9,9	24	48	83	132	200
klasa 10.9	14	34	67	117	185	285

 **0 km** →  **1000 km**



1		x 1		10	M 12x45	x 4
				11	M 10x35	x 8
				12	M 8x35	x 2
				13	∅ 13	x 4
				14	∅ 10.5	x 8
2	 Art.nr-KL1P39A	x 1		15	∅ 30x∅10.5x2.5 10 DIN 9021	2
				16	∅ 24x∅8.4x2 8 DIN 9021	2
3	 Art.nr-BL1P39A	x 1		17	∅ 12.2	x 4
				18	∅ 10.2	x 8
4		x 1		19	∅ 8.2	x 2
5		x 1		20	M 12	x 4
				21	M 10	x 2
6		x 1				
7		x 1				
8		x 2				
9		x 4				

