

AUTO-HAK Sp. z o.o.

ul. Słoneczna 16K 76-200 SŁUPSK

POLAND

tel/fax +48 59 8 414 414; +48 59 8 414 413

e-mail: office@autohak.com.pl

www.autohak.com.pl



AUTO-HAK

CITROEN C4

PICASSO, VAN, 5x 

 06.2013 → 02.2018

SPACETOURER, VAN, 5x 

 03.2018 →

GRAND PICASSO, VAN, 5-7x 

 09.2013 → 02.2018

GRAND SPACETOURER, VAN, 5-7x 

 03.2018 →

Nr kat.

P38A



2h

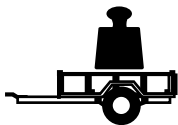


E20-55R-01 3681



D

9,56 kN

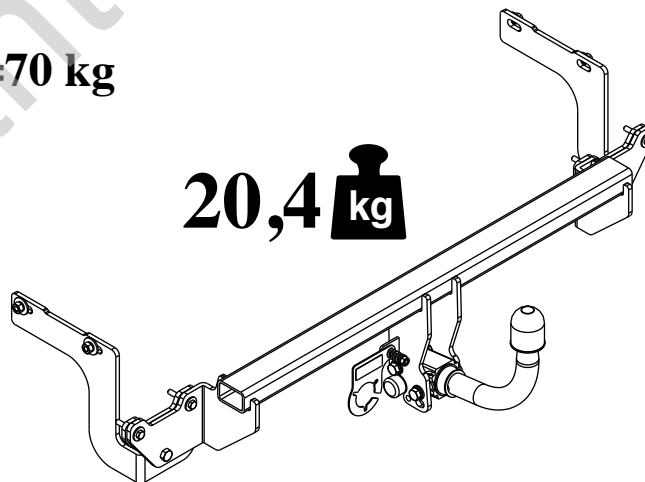


R=1750 kg



S=70 kg

20,4 kg 



M6 - 11 Nm
M10 - 50 Nm
M14 - 138 Nm

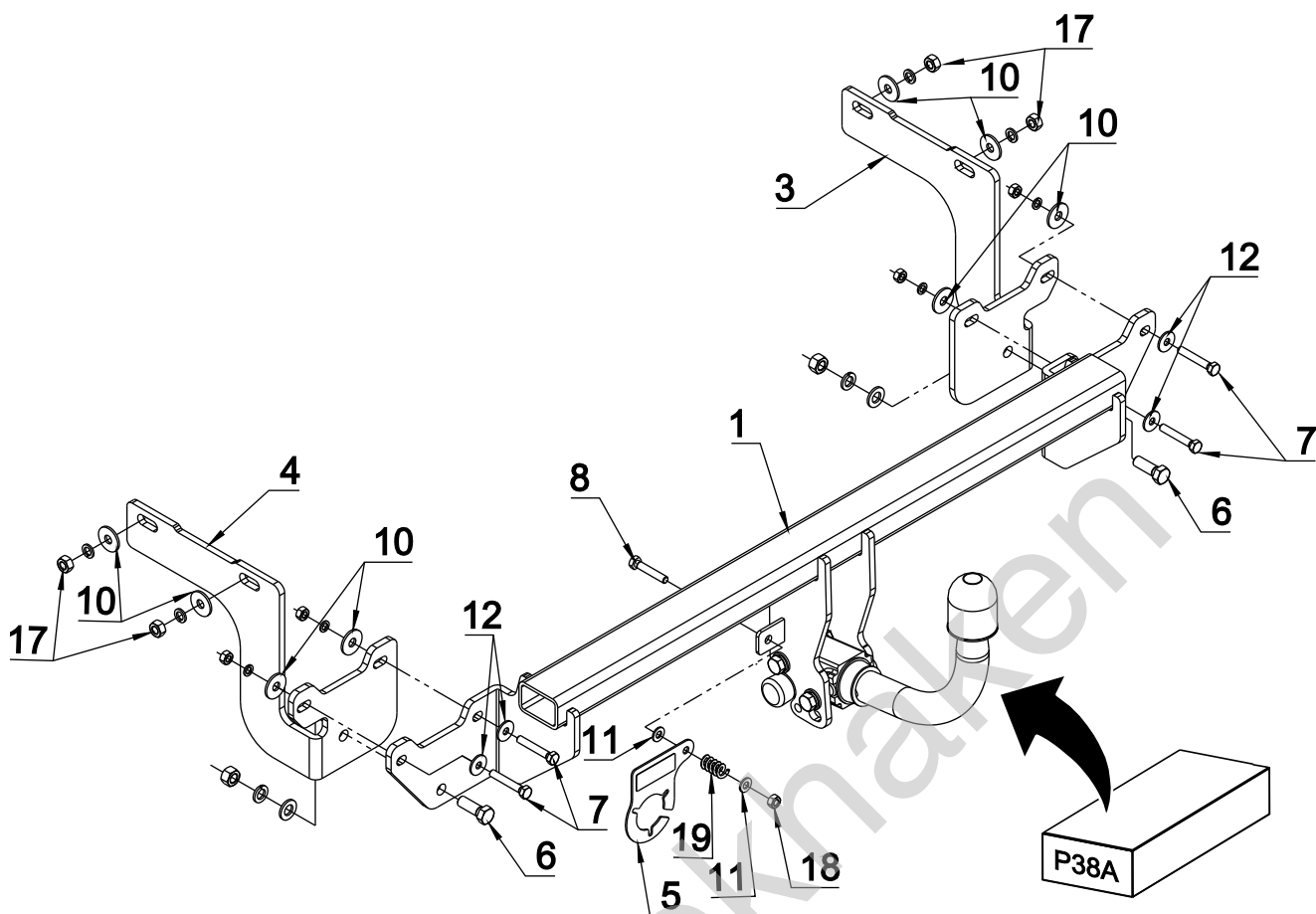
M8 - 25 Nm
M12 - 87 Nm
M16 - 210 Nm

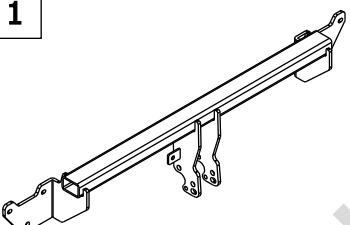


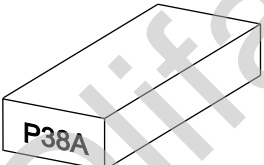

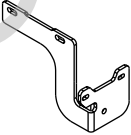

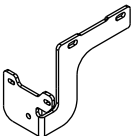










0 km →



1000 km

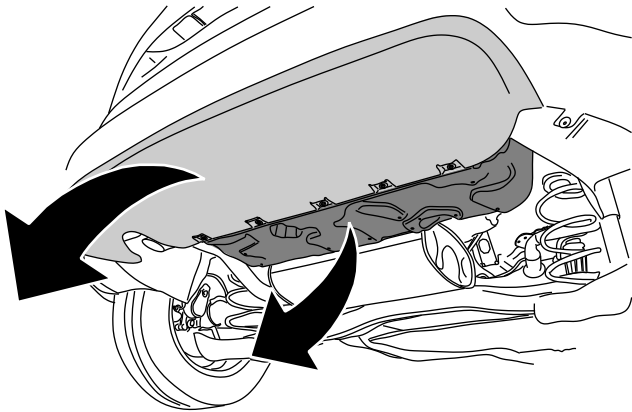
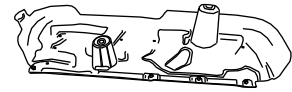
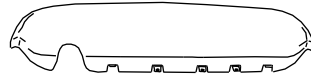


	x1		6 M12x35	x2
2	x1		9 \varnothing 13	x2
	x1		10 \varnothing 30x \varnothing 10.5x2.5 10 (DIN 9021)	x8
	x1		11 \varnothing 8.3	x2
	x1		12 \varnothing 24x \varnothing 8.5x2 8 (DIN 9021)	x4
	x1		13 \varnothing 12.2	x2
	Art.nr-KL1P38A		14 \varnothing 10.2	x4
			15 \varnothing 8.2	x4
			16 M12	x2
			17 M10	x4
			18 M8	x5
			19	x1
	Art.nr-BL1P38A			

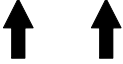
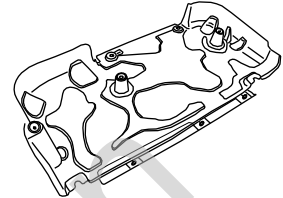
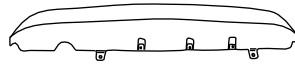


CITROËN C4 PICASSO

01



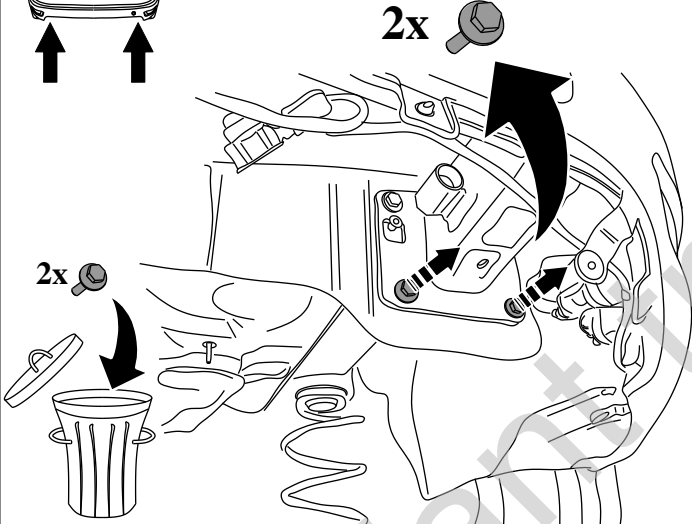
CITROËN C4 GRAND PICASSO



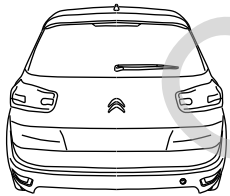
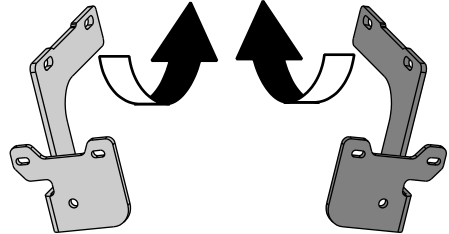
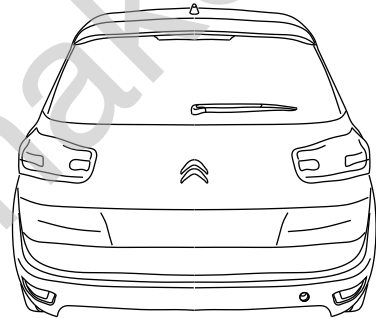
02

2x

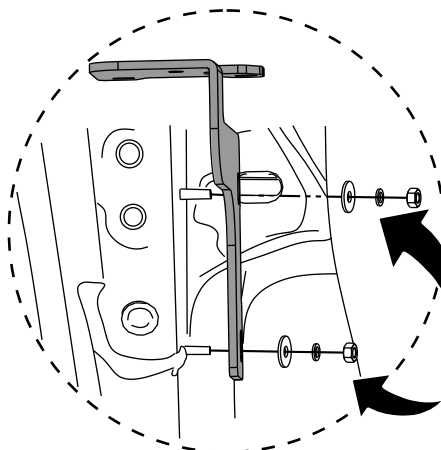
2x



03

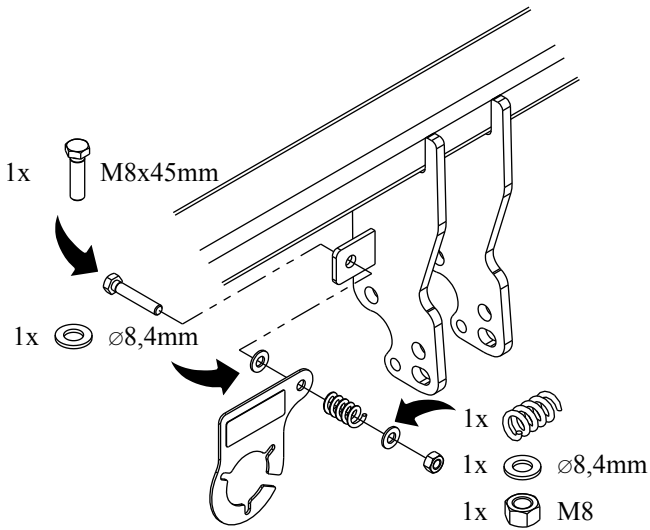


04

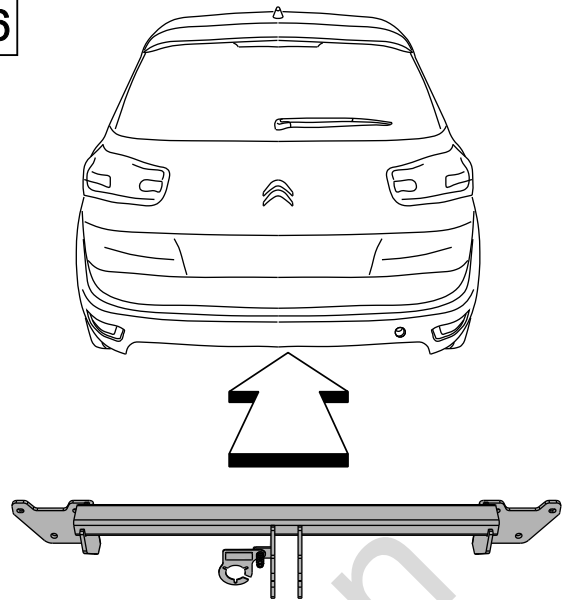


- 2x $\varnothing 30 \times 10,5 \times 2,5 \text{mm}$
- 2x $\varnothing 10,2 \text{mm}$
- 2x M10

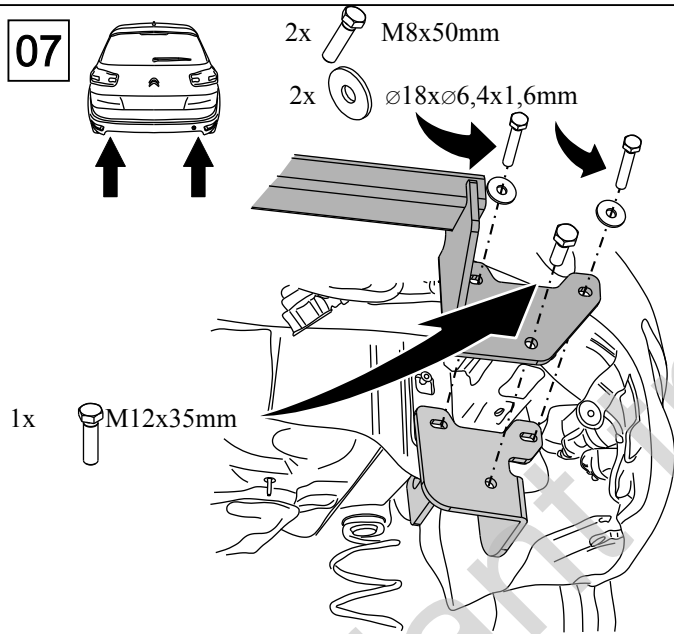
05



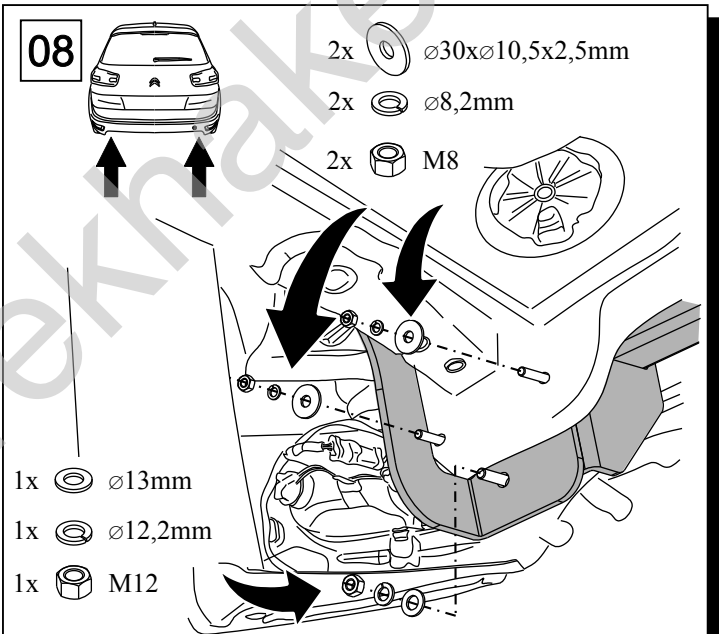
06



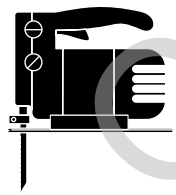
07



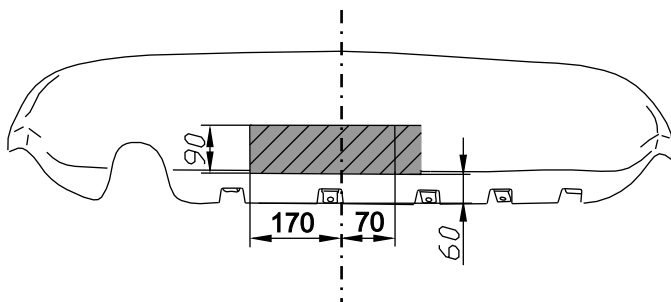
08



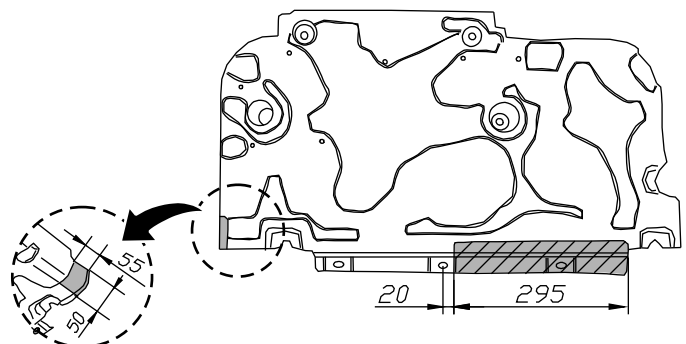
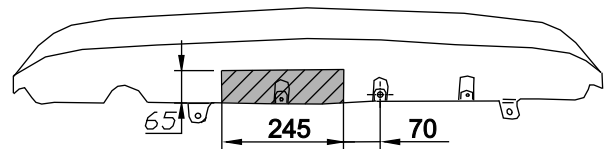
09



CITROËN C4 PICASSO

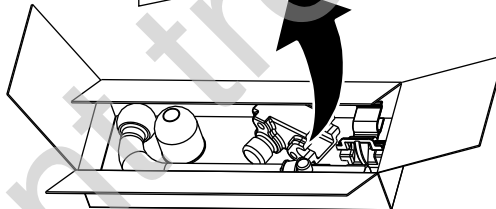
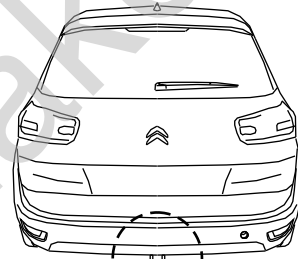
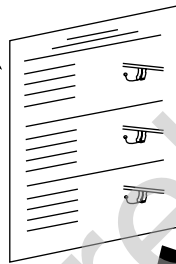
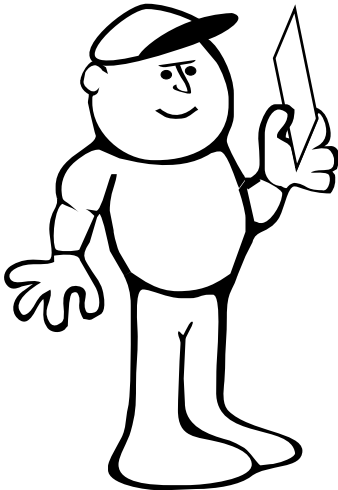
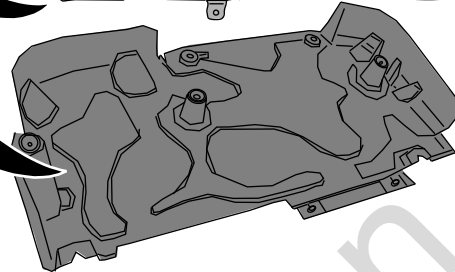
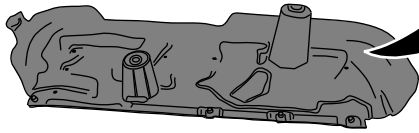
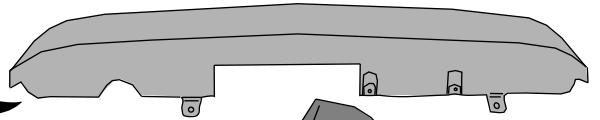
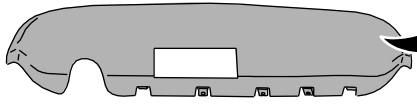
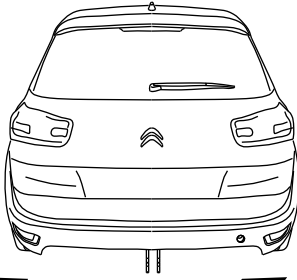



CITROËN C4 GRAND PICASSO





CITROEN C4 PICASSO

CITROEN C4 GRAND PICASSO



	M6 - 11 Nm	M8 - 25 Nm
	M10 - 50 Nm	M12 - 87 Nm
	M14 - 138 Nm	M16 - 210 Nm

 **0 km** →  **1000 km**