

# AUTO-HAK Sp. z o.o.

ul. Słoneczna 16K 76-200 SŁUPSK  
POLAND

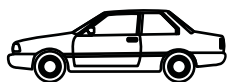
tel/fax +48 59 8 414 414; +48 59 8 414 413

e-mail: [office@autohak.com.pl](mailto:office@autohak.com.pl)

[www.autohak.com.pl](http://www.autohak.com.pl)



# AUTO-HAK



Citroen C - Elysse 4D

Peugeot 301 4D

Cat. no:

**P37A**



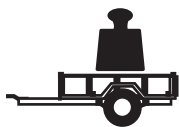
11.2012 →



E20-55R-01 3160



6,41 kN



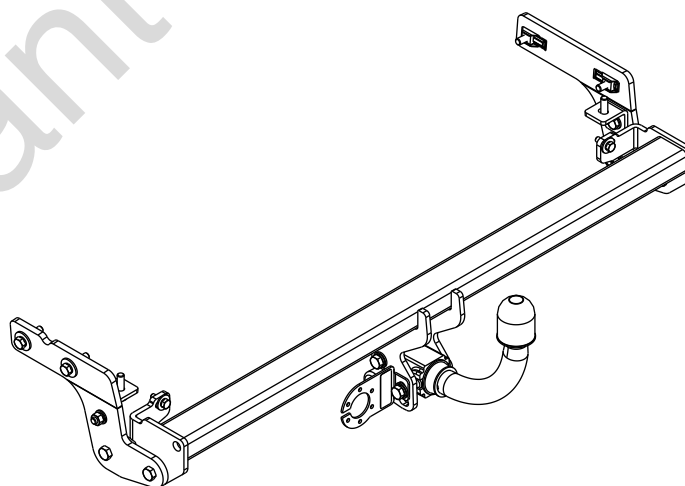
R=1010 kg



S=55 kg



2h



M6 - 11 Nm  
M10 - 50 Nm  
M14 - 138 Nm

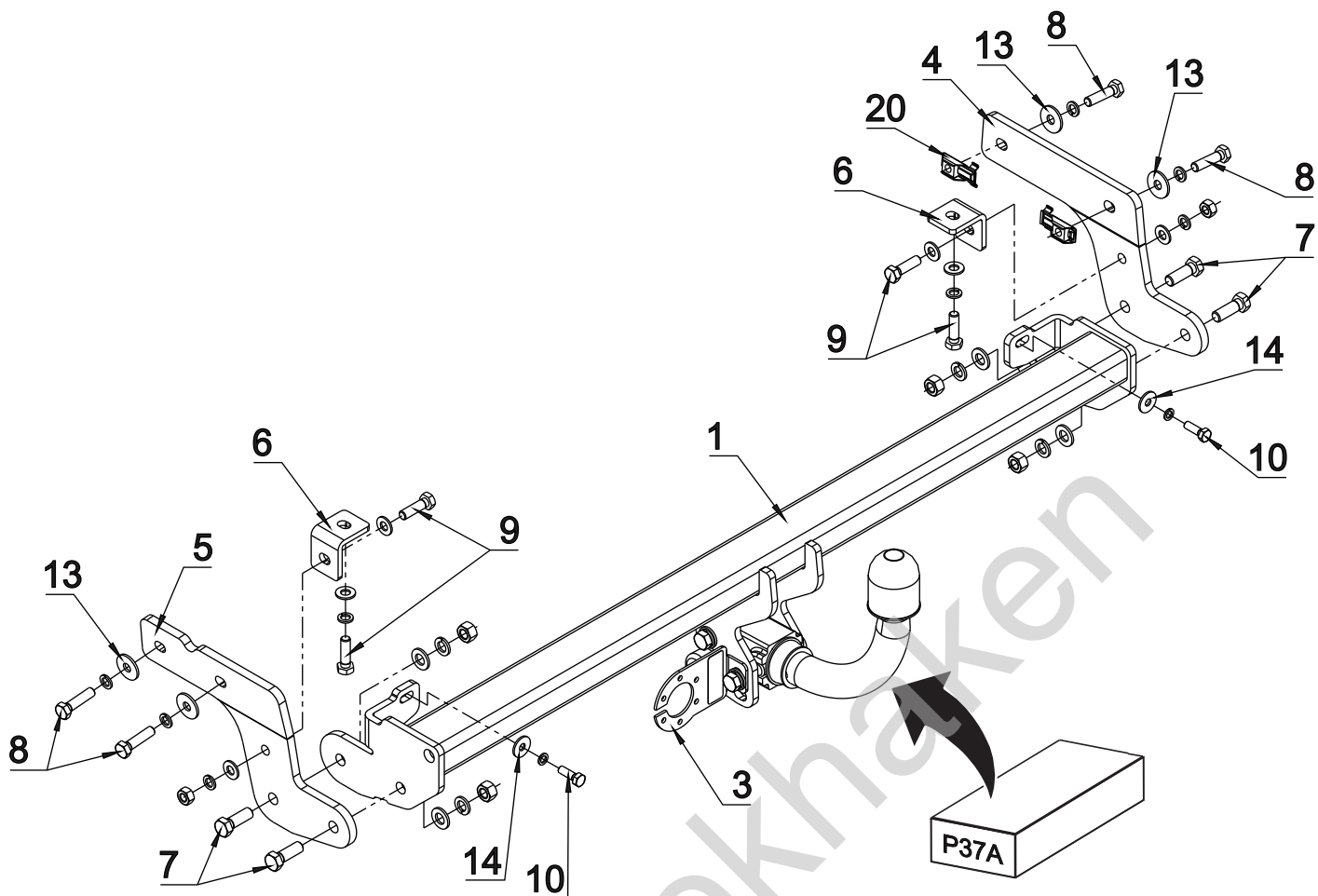
M8 - 25 Nm  
M12 - 87 Nm  
M16 - 210 Nm

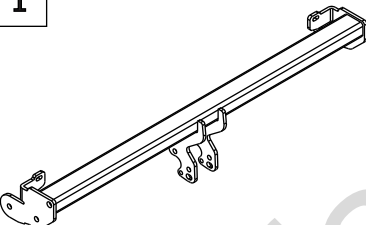

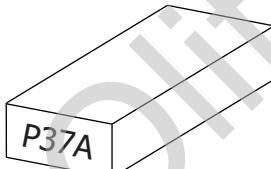

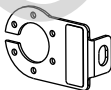



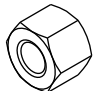
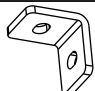
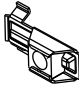


0 km →



1000 km



<b>1</b>		<b>x 1</b>		<b>7</b> M 12x35	<b>x 4</b>
<b>2</b>		<b>x 1</b>		<b>8</b> M 10x40	<b>x 4</b>
				<b>9</b> M 10x35	<b>x 4</b>
				<b>10</b> M 8x25	<b>x 2</b>
				<b>11</b> $\varnothing$ 13	<b>x 4</b>
				<b>12</b> $\varnothing$ 10,5	<b>x 6</b>
				<b>13</b> $\varnothing$ 30x $\varnothing$ 10.5x2.5 10 (DIN 9021)	<b>x 4</b>
<b>3</b>		<b>x 1</b>		<b>14</b> $\varnothing$ 24x $\varnothing$ 8.4x2 8 (DIN 9021)	<b>x 2</b>
				<b>15</b> $\varnothing$ 12.2	<b>x 4</b>
<b>4</b>		<b>x 1</b>		<b>16</b> $\varnothing$ 10.2	<b>x 8</b>
				<b>17</b> $\varnothing$ 8.2	<b>x 2</b>
<b>5</b>		<b>x 1</b>		<b>18</b> M 12	<b>x 4</b>
				<b>19</b> M 10	<b>x 2</b>
<b>6</b>		<b>x 2</b>		<b>20</b> M 10	<b>x 2</b>

