

AUTO-HAK Sp. z o.o.

ul. Słoneczna 16K 76-200 SŁUPSK
POLAND

tel/fax +48 59 8 414 414; +48 59 8 414 413

e-mail: office@autohak.com.pl

www.autohak.com.pl



AUTO-HAK



CITROEN C3 II 5D

Cat. no:

P34A



01.2010 → 06.2016

e20

e20*94/20*1253*00

D

7,0 kN



1,5h



R=1250 kg



-



S=54 kg



-

15 kg



M6 - 11 Nm
M10 - 50 Nm
M14 - 138 Nm

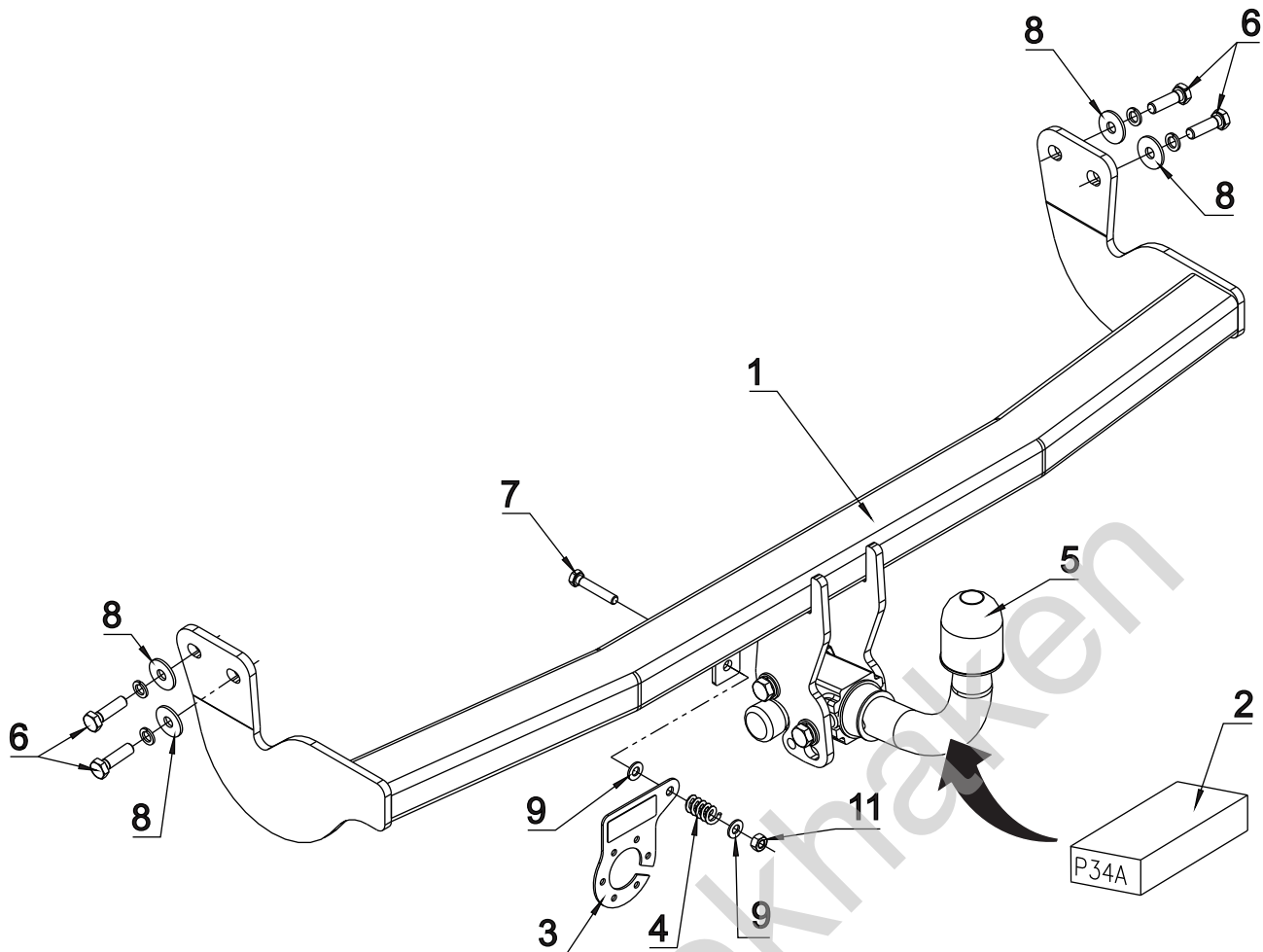
M8 - 25 Nm
M12 - 87 Nm
M16 - 210 Nm

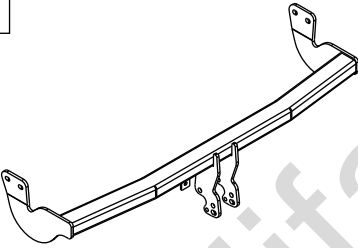

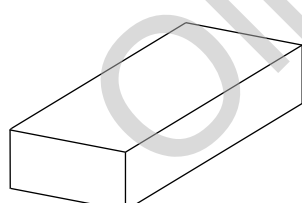

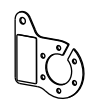
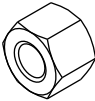
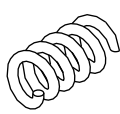
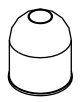


0 km →



1000 km



1		x 1		6	M 10x35	x 4
				7	M 8x45	x 1
2		x 1		8	\varnothing 30x \varnothing 10.5x2.5 10 -(DIN 9021)	x 4
				9	\varnothing 8.4	x 2
				10	\varnothing 10.2	x 4
3		x 1		11	M 8	x 1
		Art.nr-KL1P34A				
		Art.nr-BL1P34A				
4		x 1				
5		x 1				

