

PPUH AUTO-HAK Sp.J.

Henryk & Zbigniew Nejman
ul. Słoneczna 16K 76-200 SŁUPSK
POLAND

tel/fax +48 059 8-414-414; 8-414-413

e-mail: office@autohak.com.pl

www.autohak.com.pl



AUTO-HAK



**MINI COOPER
COUNTRYMAN S/SD
5D, (R60), SUV**

Cat. no:

MC03A



2010 →



E20-55R-01 4755



2h



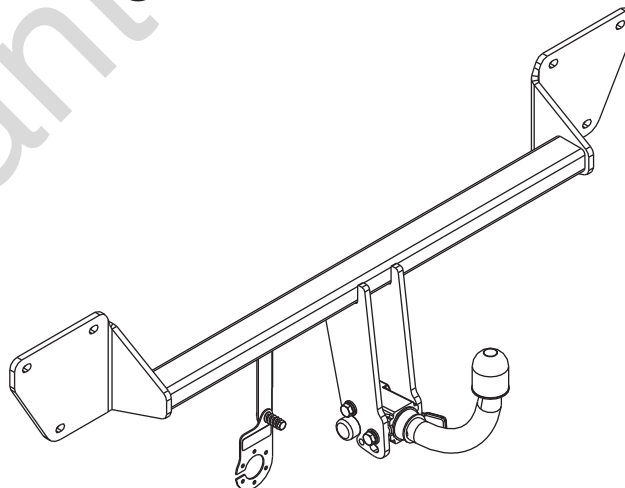
7,52 kN



R=1275 kg



S=75 kg



M6 - 8,5 Nm
M10 - 41 Nm
M14 - 112 Nm

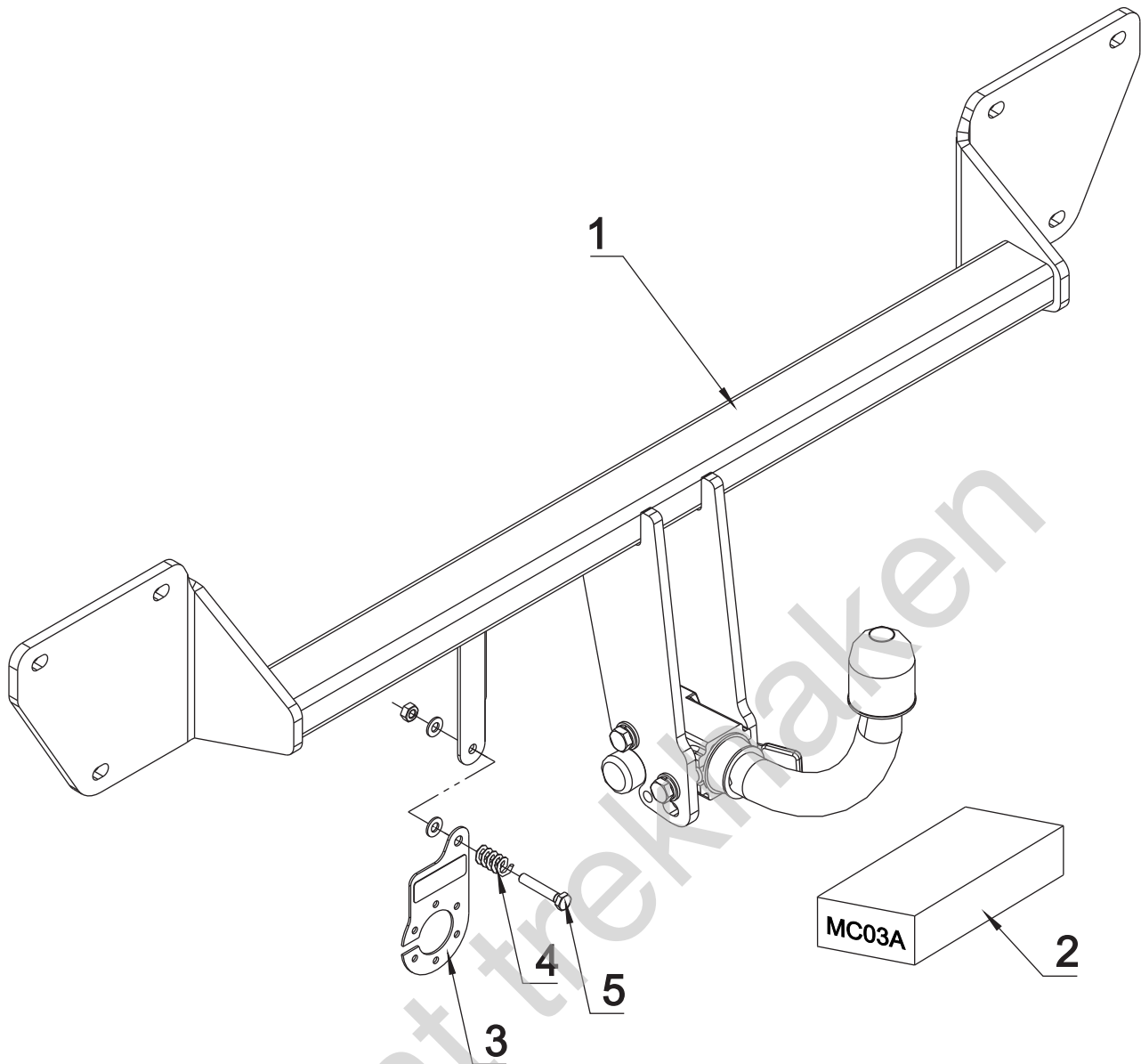
M8 - 20 Nm
M12 - 70 Nm
M16 - 170 Nm

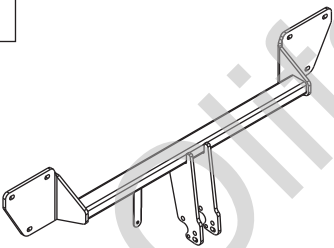


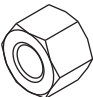
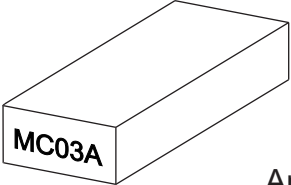




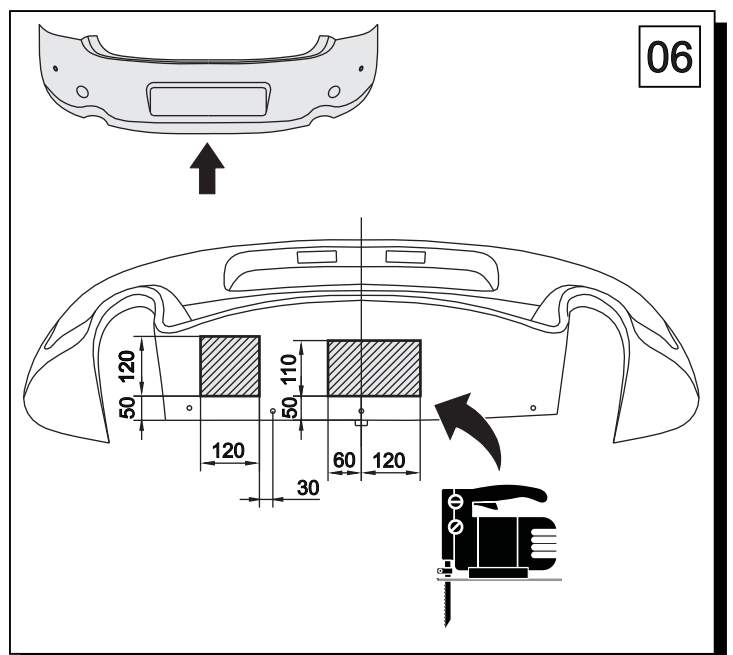
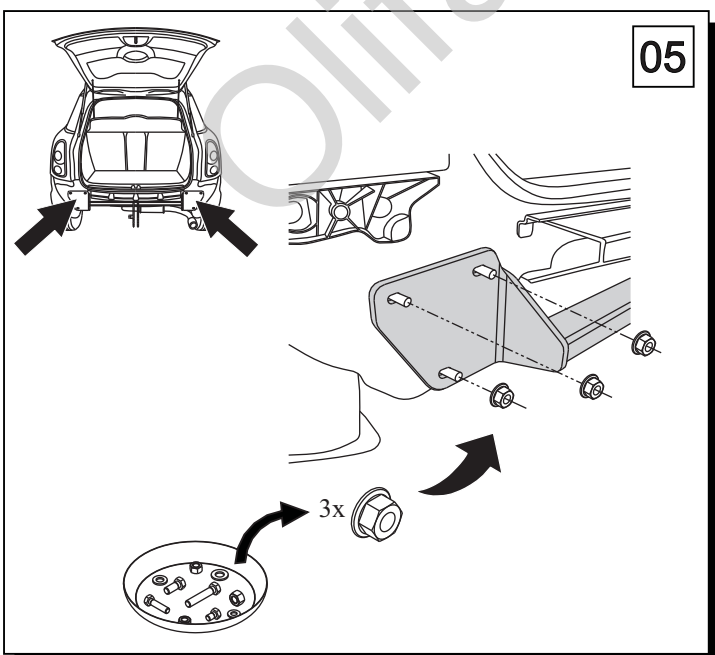
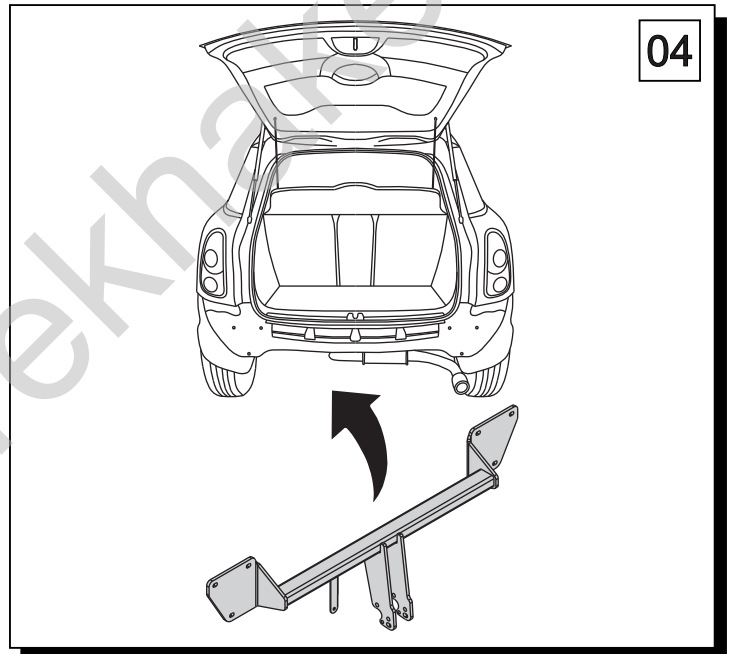
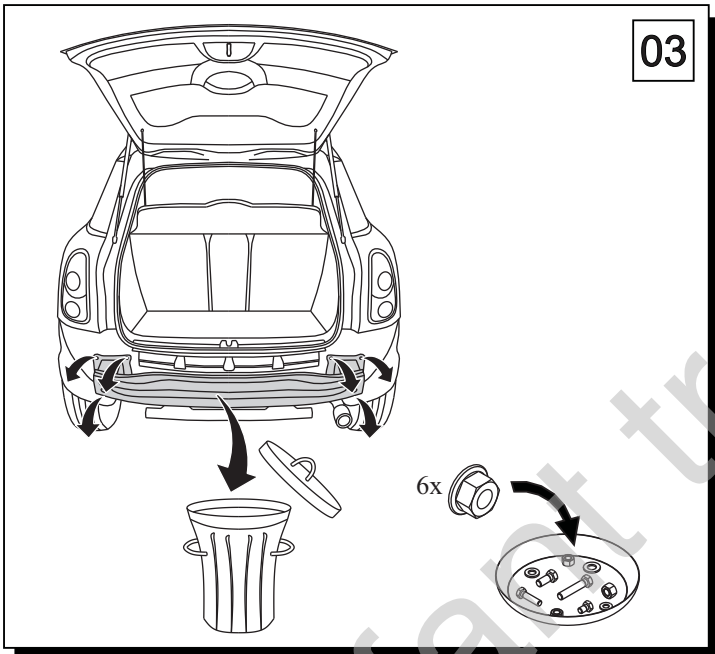
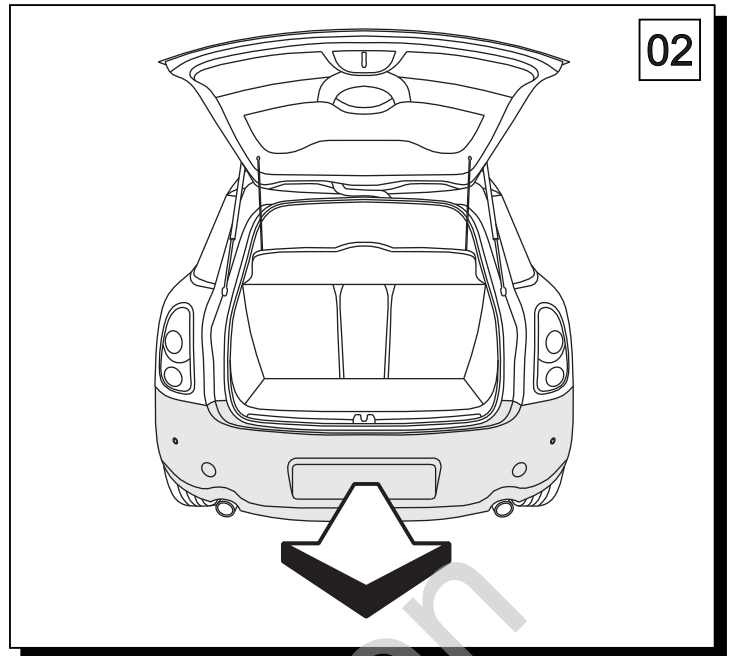
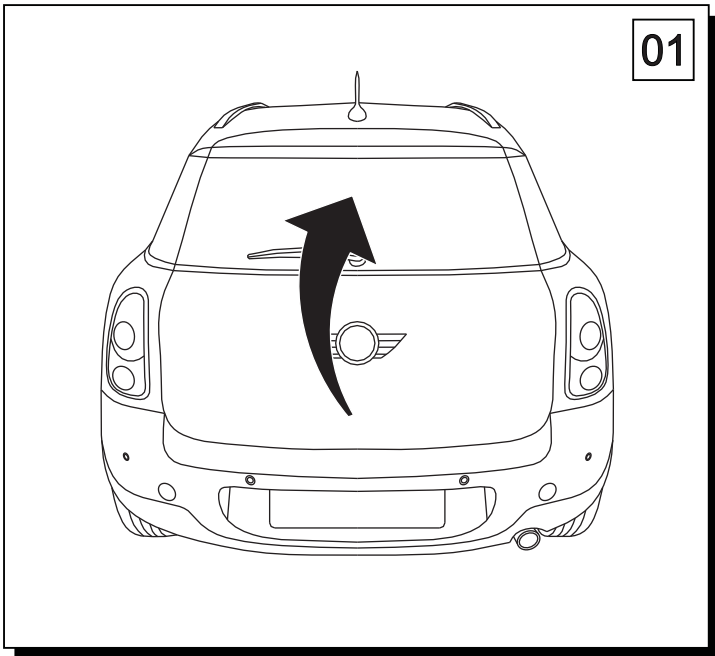
0 km →

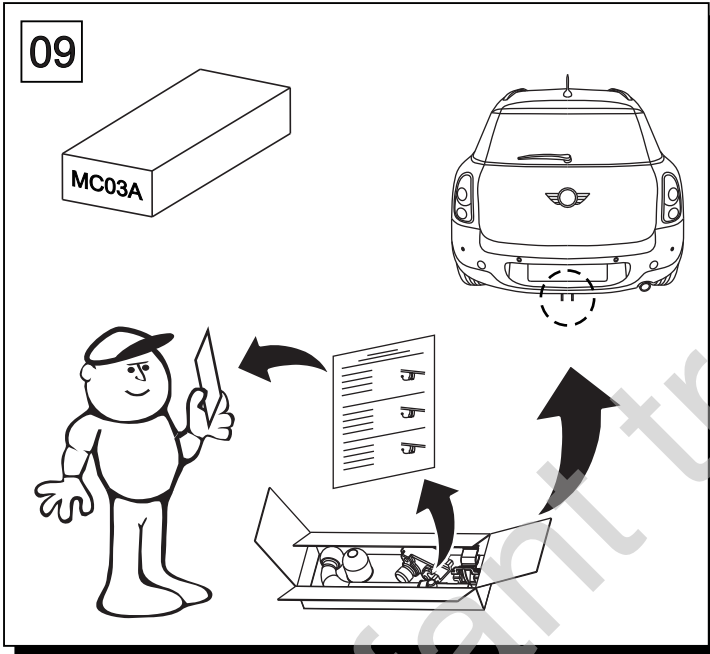
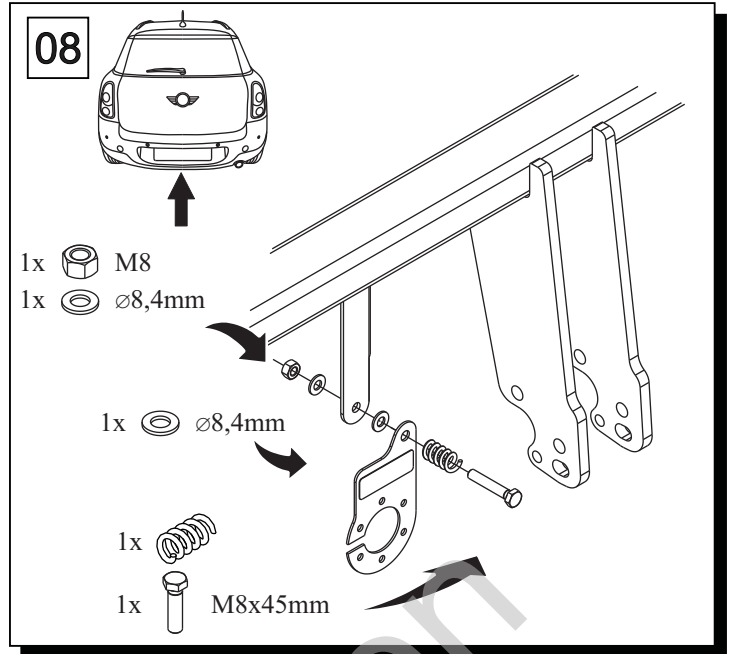
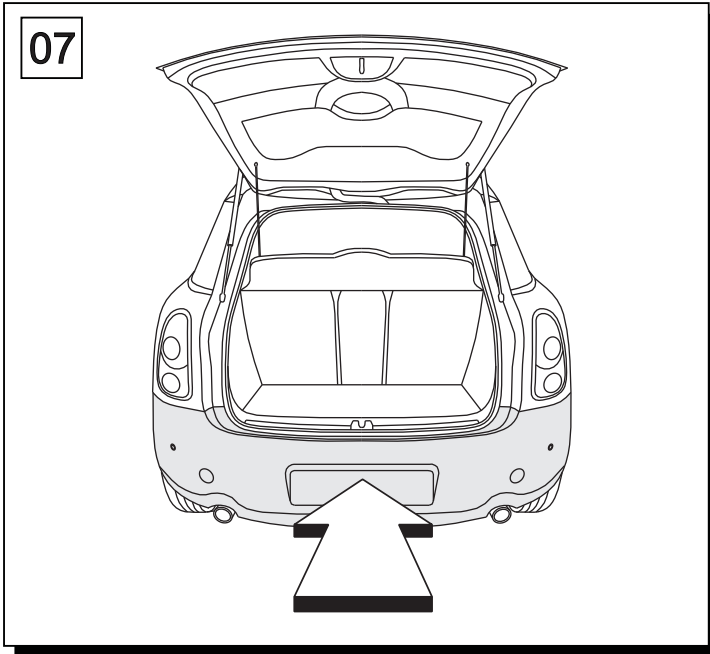


1000 km



1		x1		5 M 8x45	x1
				6 \varnothing 8.5	x2
				7 M 8	x1
2		x1			
				Art.nr-KL1MC03A	
3		x1		Art.nr-BL1MC03A	
4		x1			





Olitarru trekhaken