

PPUH AUTO-HAK Sp.J.

Henryk & Zbigniew Nejman
ul. Słoneczna 16K 76-200 SŁUPSK
POLAND

tel/fax +48 059 8-414-414; 8-414-413

e-mail: office@autohak.com.pl

www.autohak.com.pl



AUTO-HAK



**MINI COOPER
COUNTRYMAN
5D, (R60), SUV, 4WD**

Cat. no:

MC02A



06.2014 → 2016



E20-55R-01 4752



2h



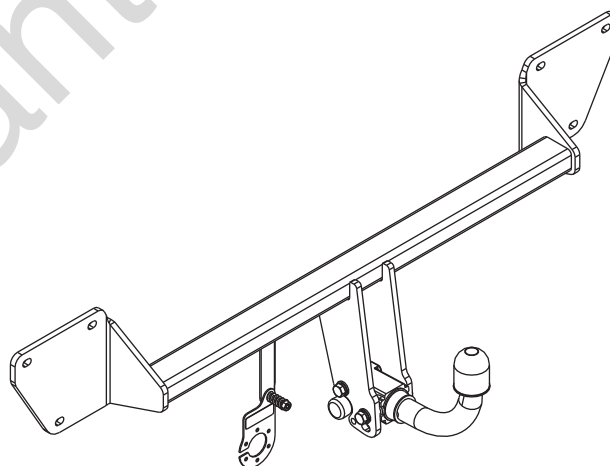
7,52 kN



R=1275 kg



S=75 kg



M6 - 8,5 Nm
M10 - 41 Nm
M14 - 112 Nm

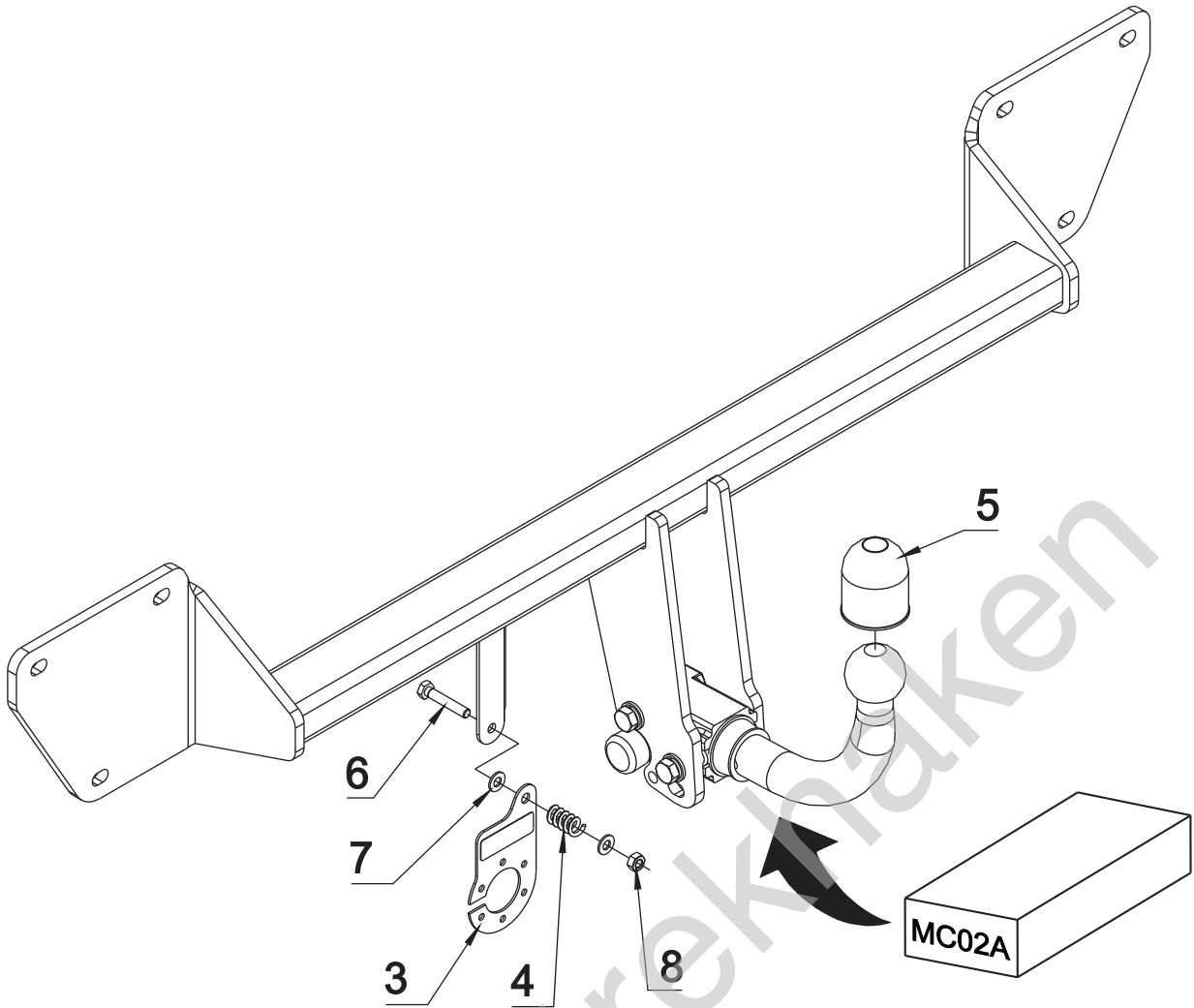
M8 - 20 Nm
M12 - 70 Nm
M16 - 170 Nm

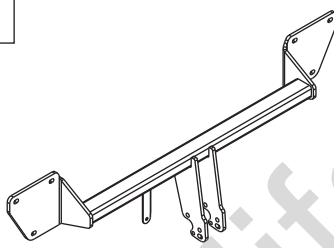

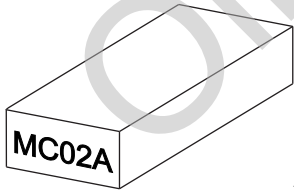







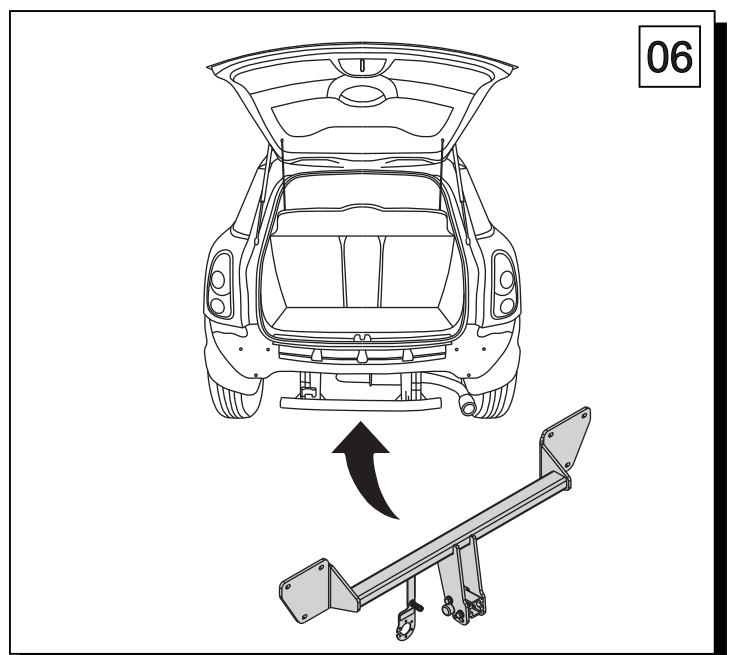
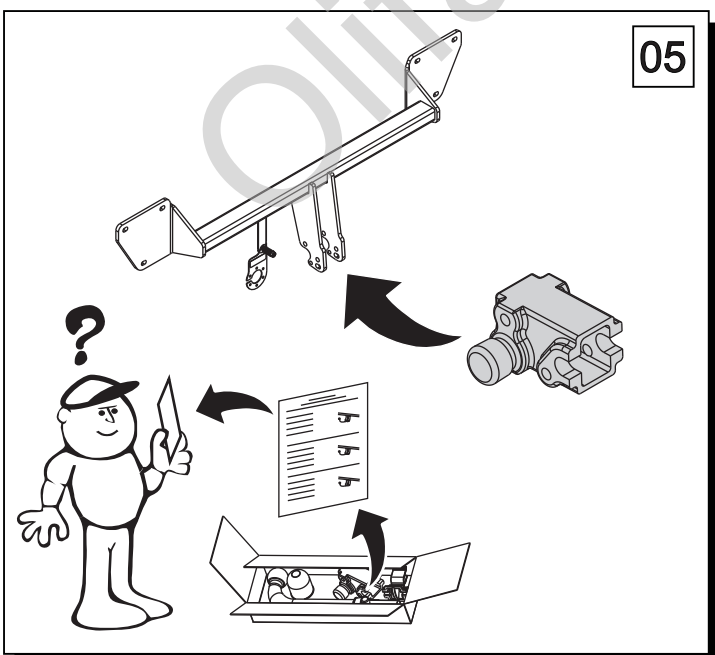
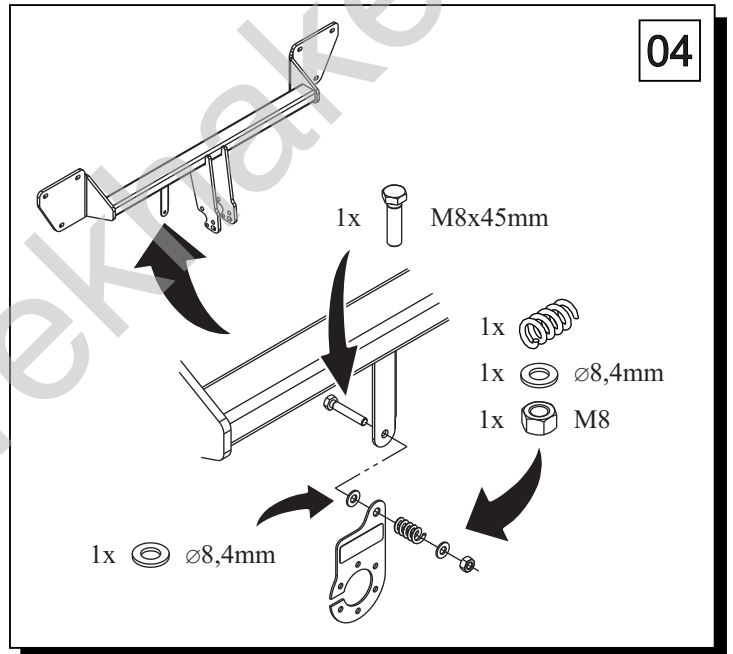
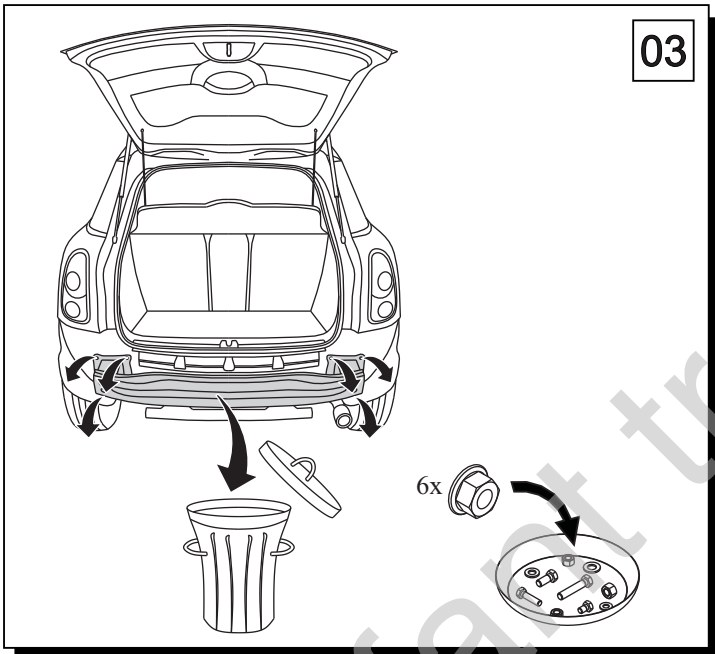
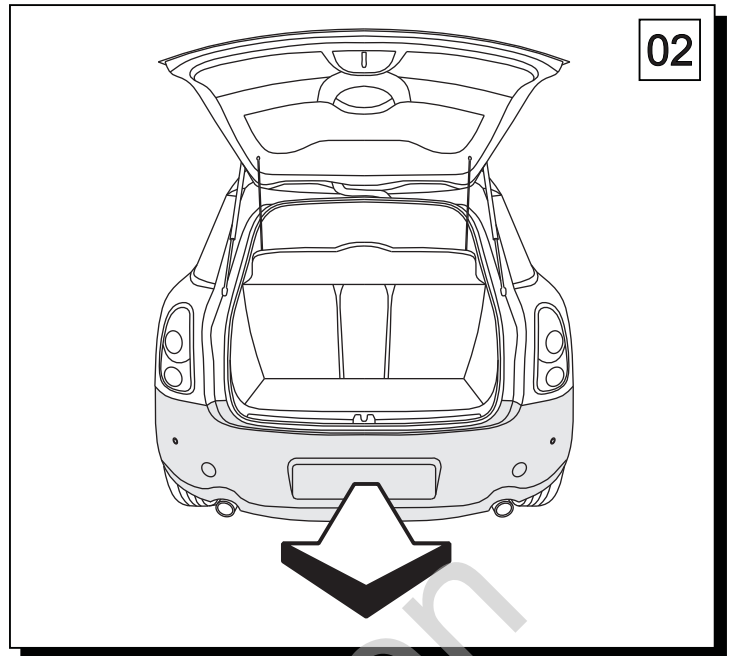
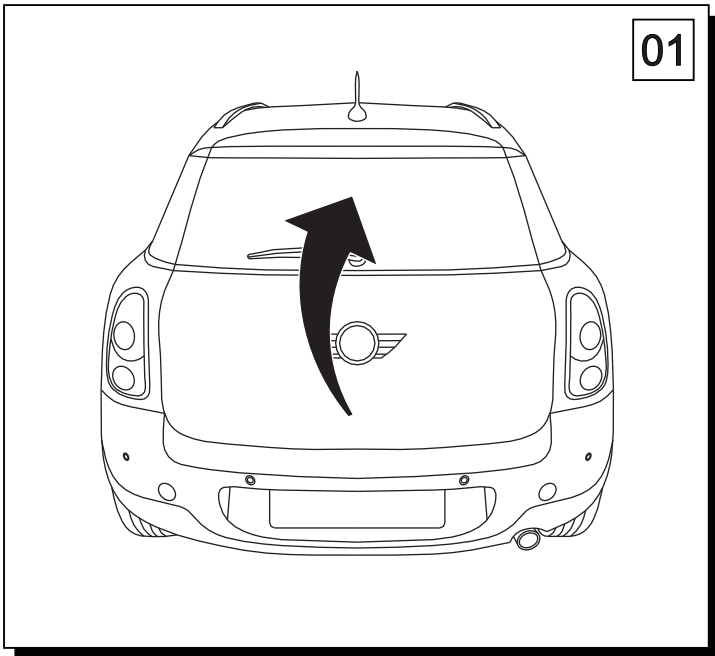
0 km →



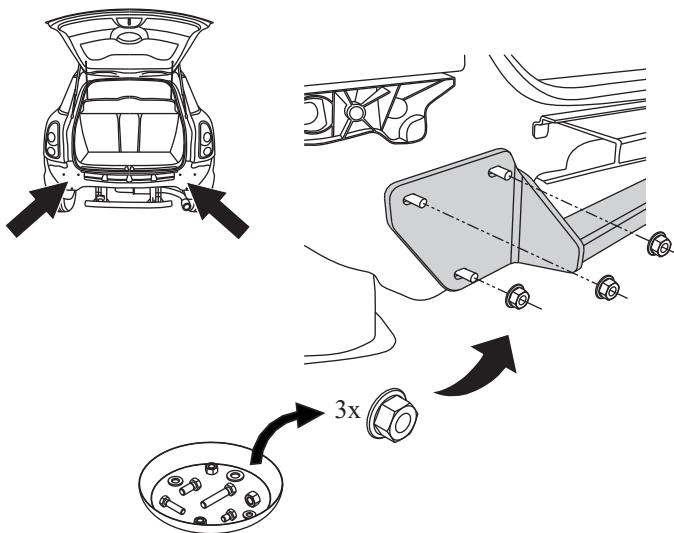
1000 km



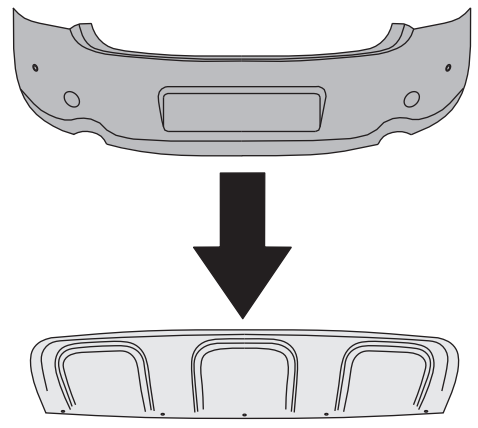
	x 1		6 M 8x45	x 1
	x 1		7 \varnothing 8.5	x 2
	x 1		8 M 8	x 1
	x 1			
	x 1			



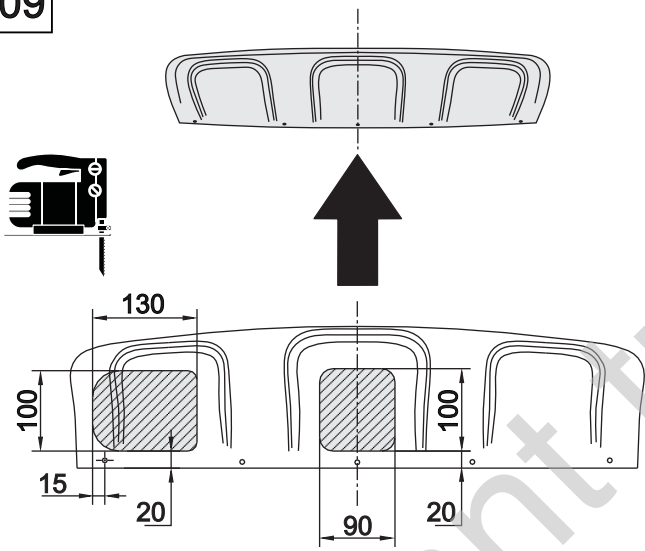
07



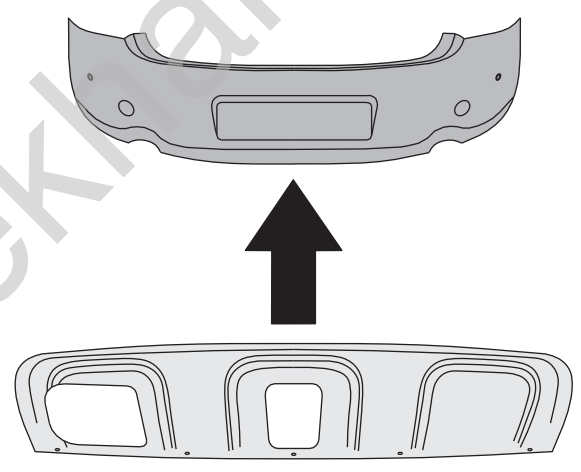
08



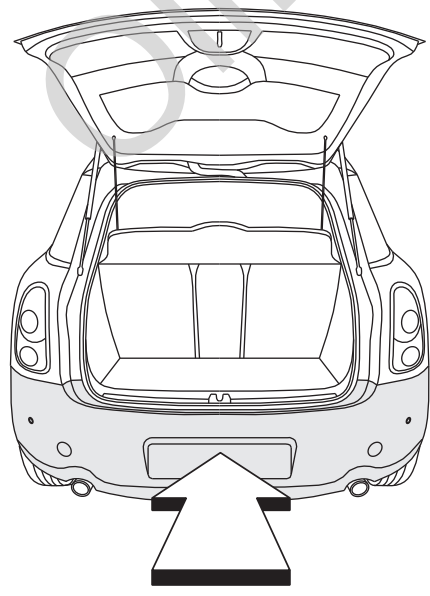
09



10



11



12

