

AUTO-HAK Sp. z o.o.

ul. Słoneczna 16K 76-200 SŁUPSK
POLAND

tel/fax +48 59 8 414 414; +48 59 8 414 413

e-mail: office@autohak.com.pl

www.autohak.com.pl




AUTO-HAK

MAZDA CX-30


Cat. no:


M72A

 2019 →

 E20-55R-01 5854

D 8,7 kN

 **R=1550 kg**

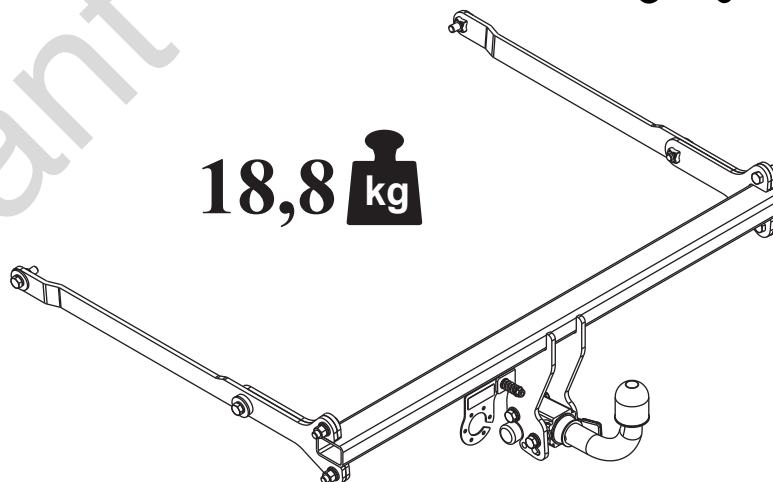
 **S=80 kg**

 **2h**



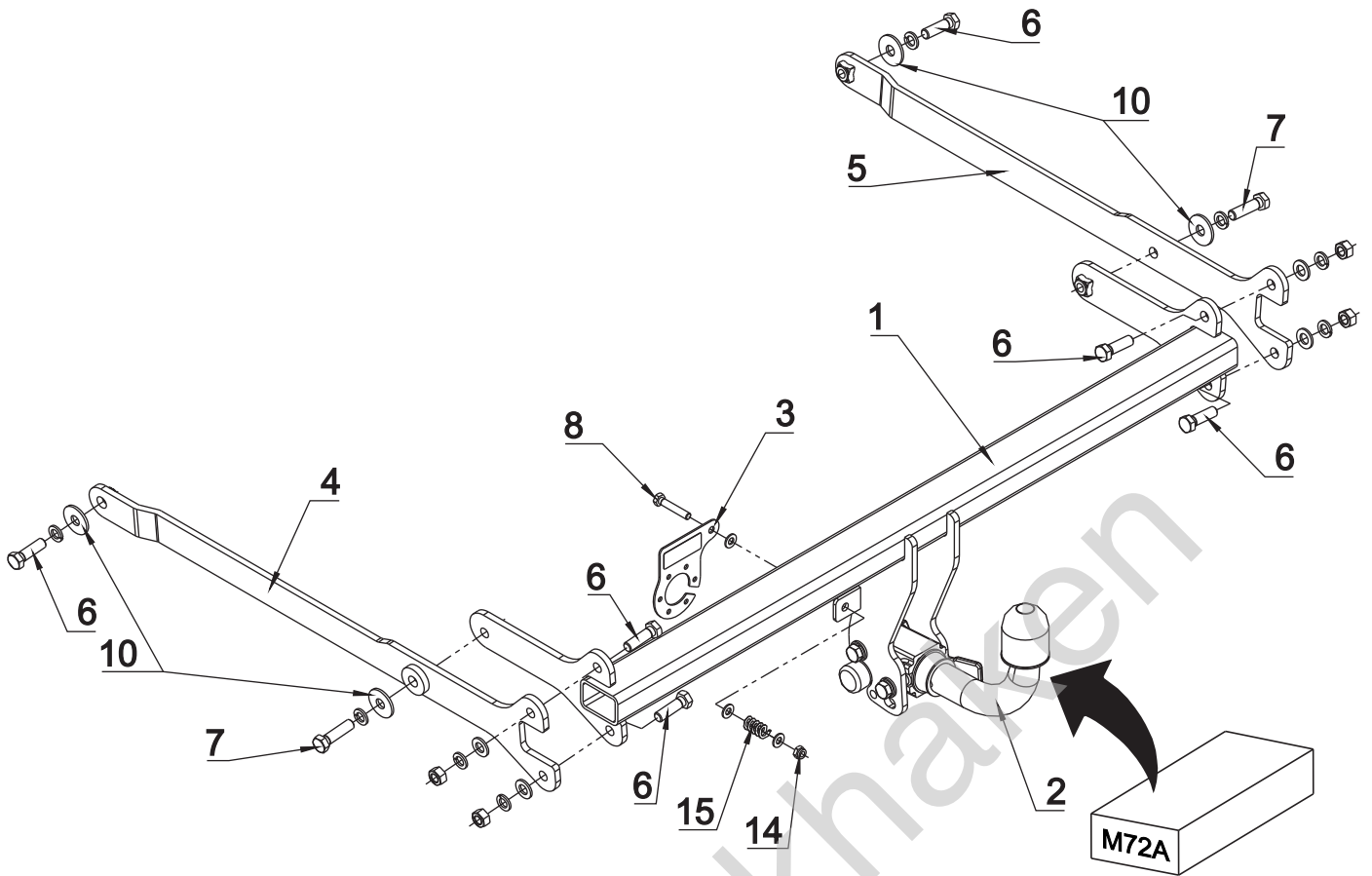


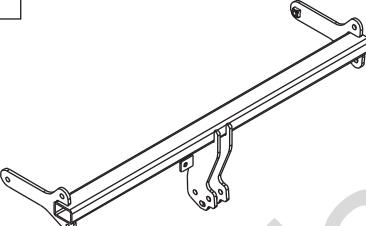
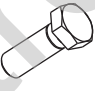
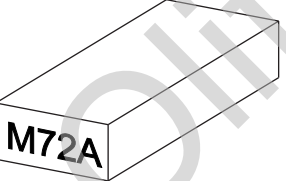

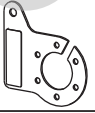


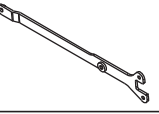

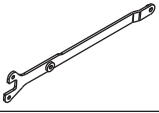

18,8 kg 

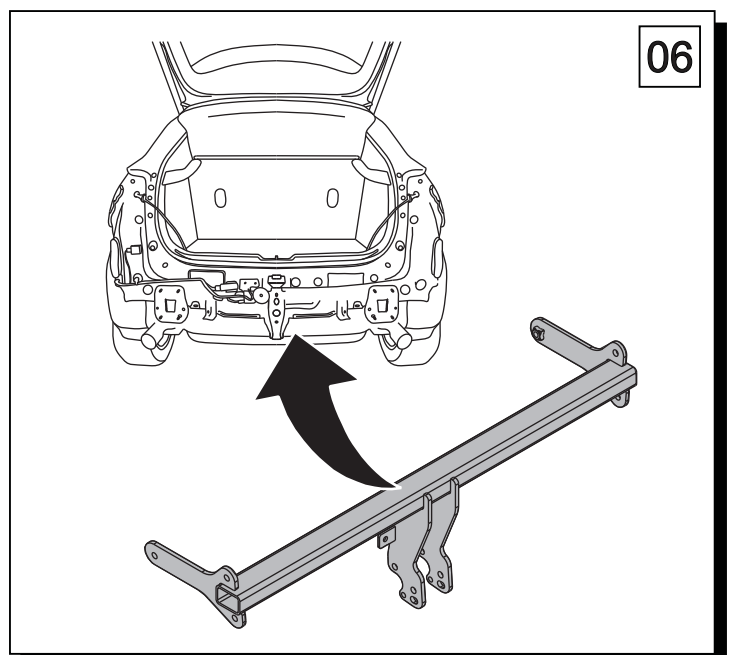
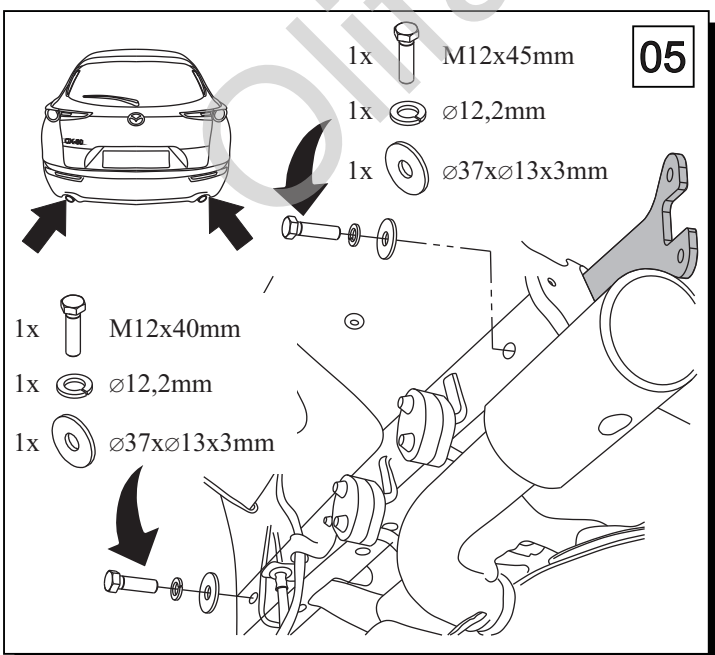
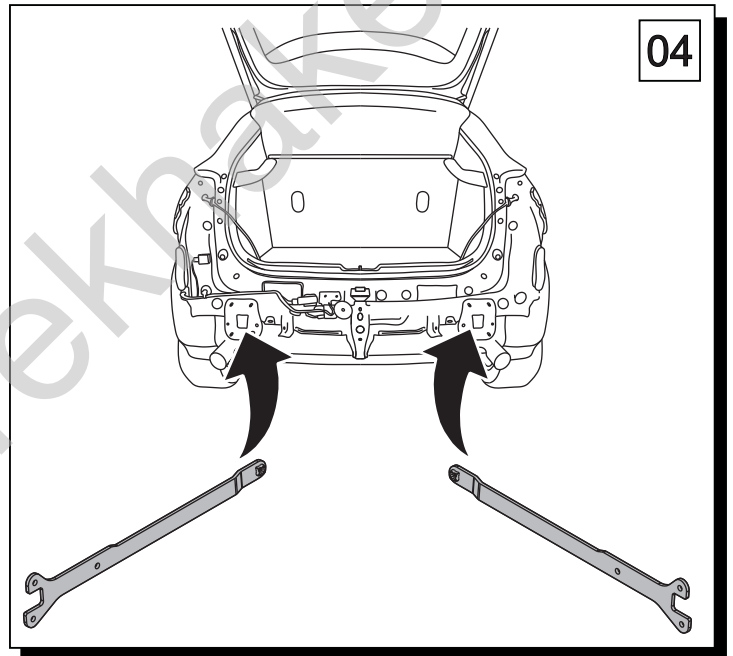
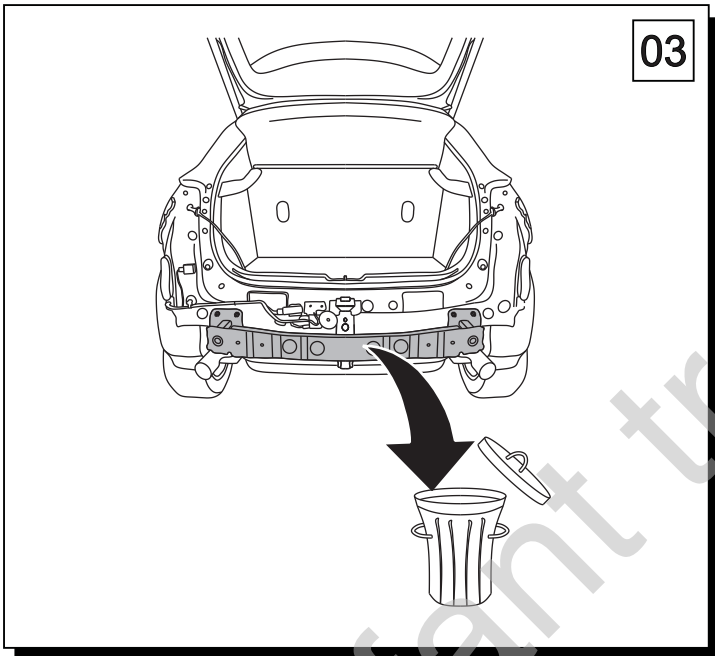
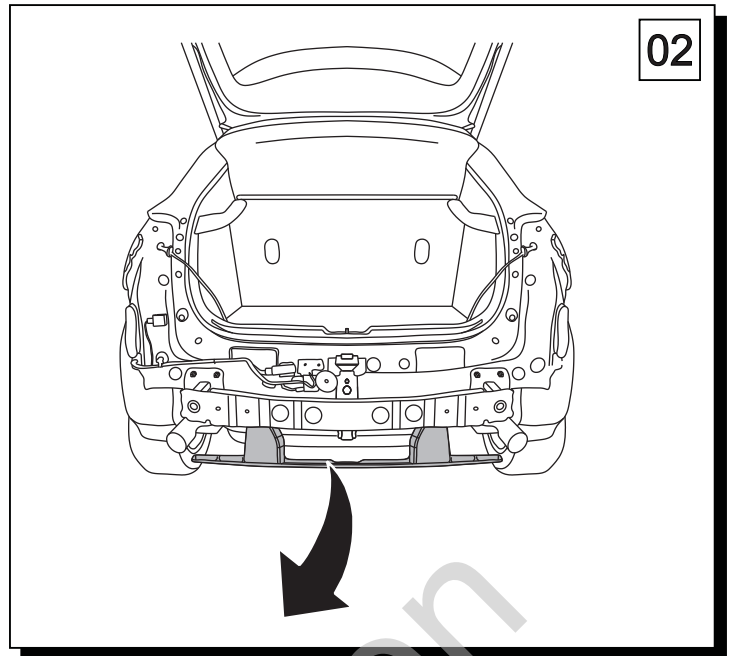
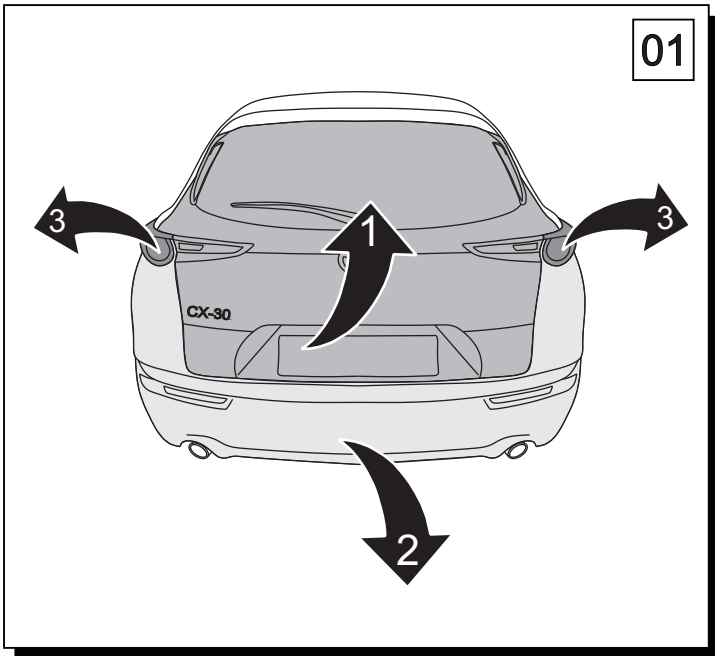


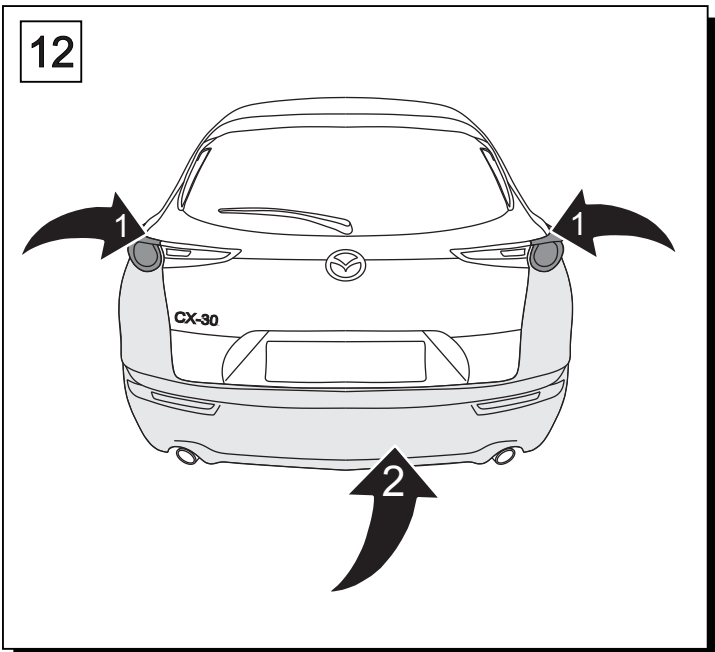
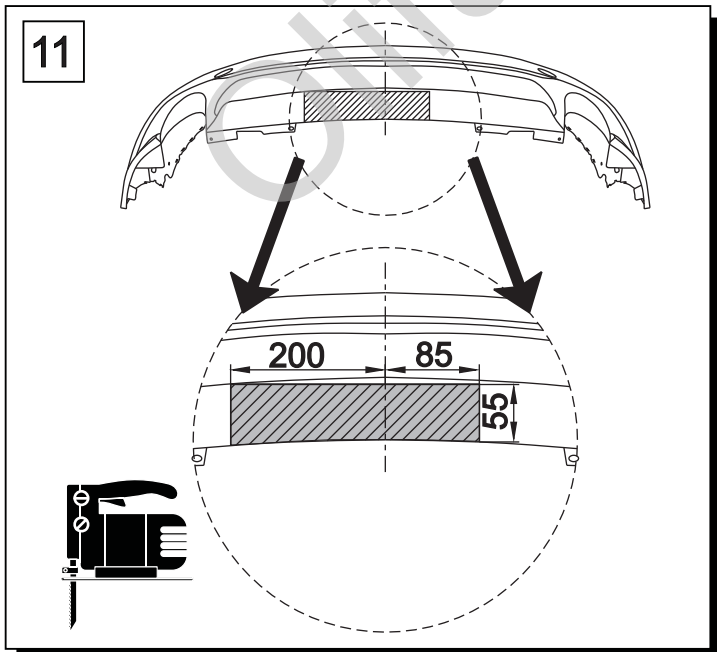
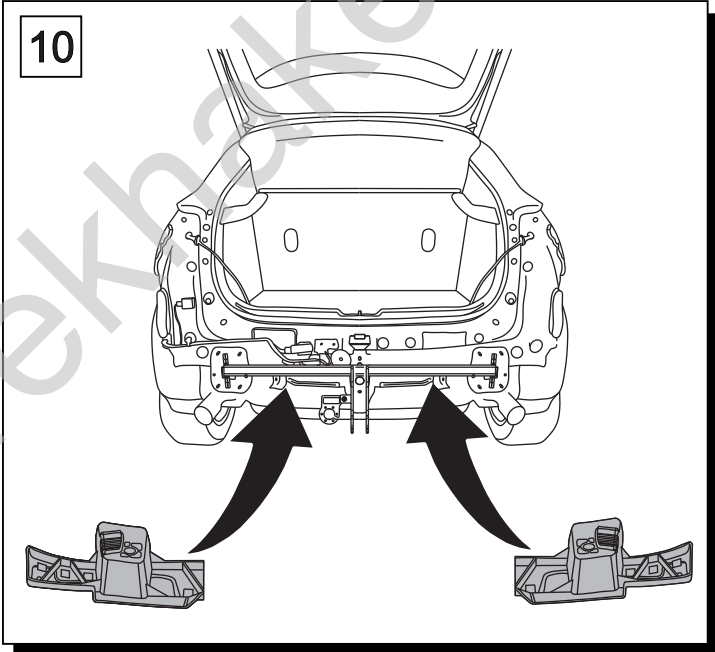
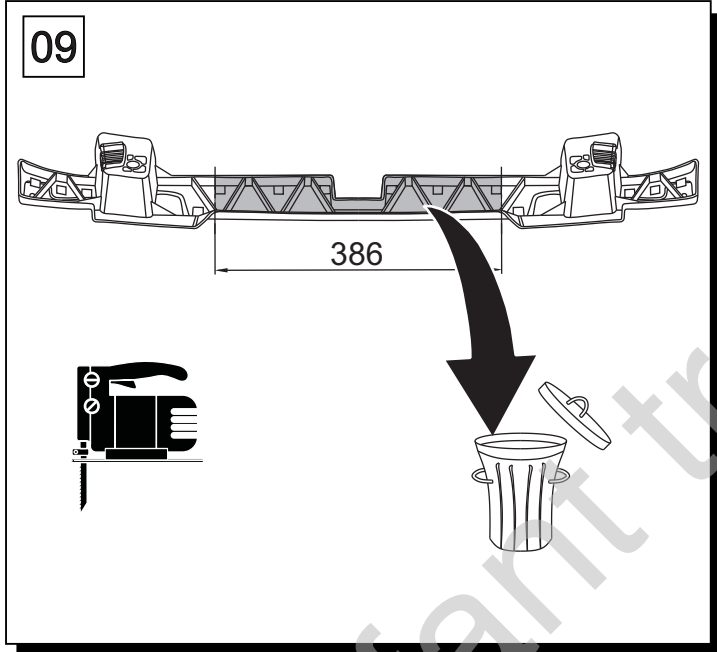
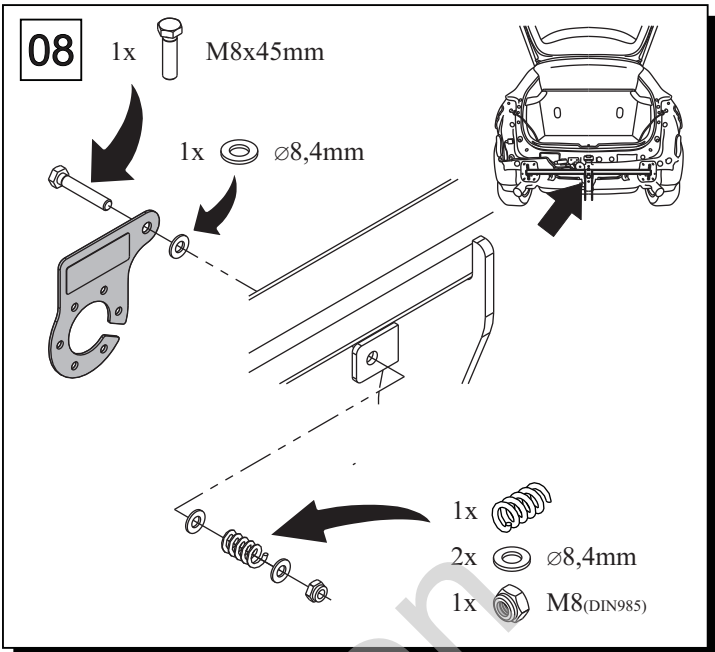
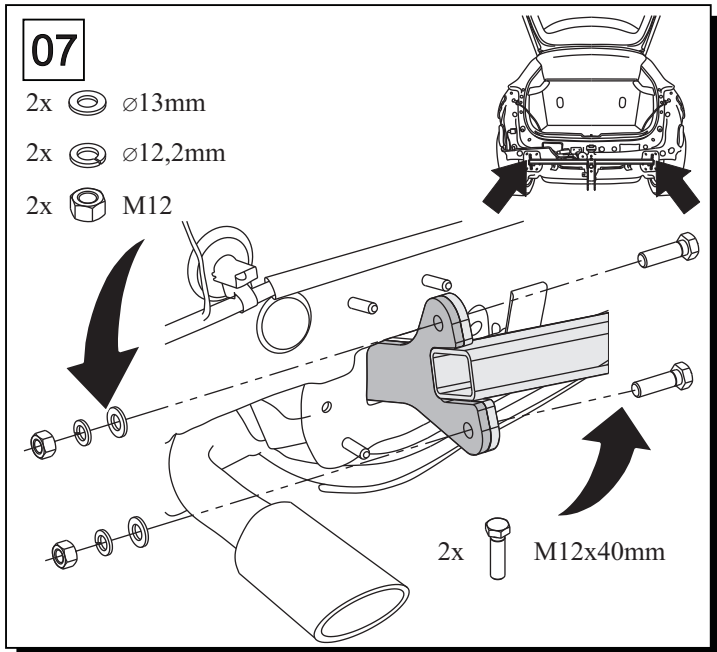
śruba	Nm	M6	M8	M10	M12	M14	M16
klasa 8.8		9,9	24	48	83	132	200
klasa 10.9		14	34	67	117	185	285

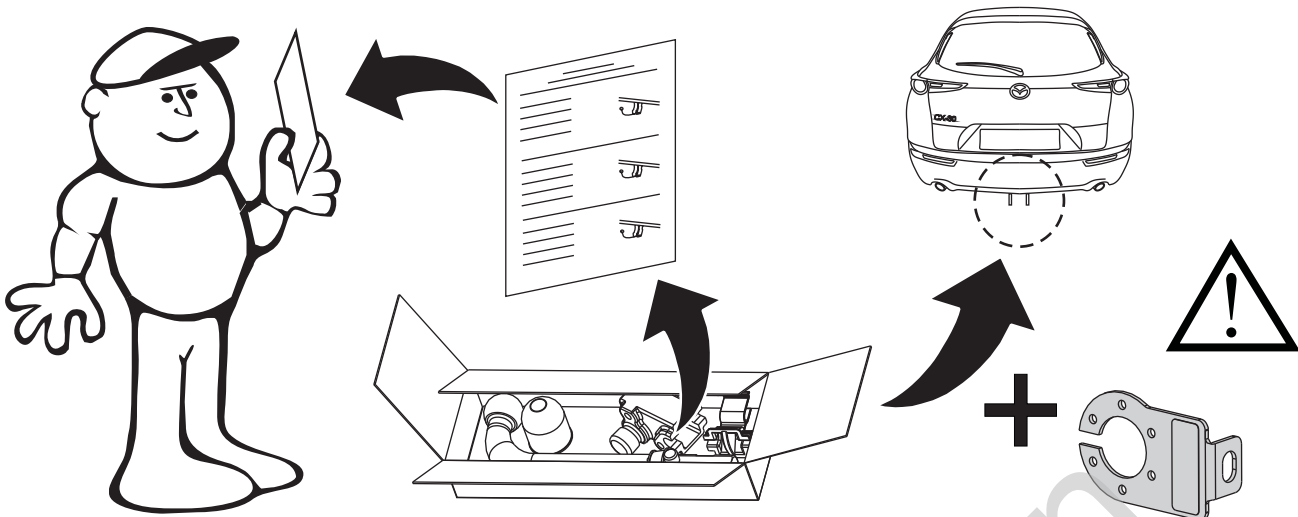
 0 km →  1000 km



 1	x 1		6 M12x40	x 6
			7 M12x45	x 2
			8 M8x45	x 1
			9 \varnothing 13	x 4
 2	x 1		10 \varnothing 37x \varnothing 13x3 13 DIN 9021	x 4
			11 \varnothing 8.4	x 3
 3	x 1		12 \varnothing 12.2	x 8
			Art.nr-KL1M72A Art.nr-BL12M72A	
 4	x 1		14 M 8 (DIN985)	x 1
 5	x 1		15	







Olifant trekhaken