

# AUTO-HAK Sp. z o.o.

ul. Słoneczna 16K 76-200 SŁUPSK  
POLAND

tel/fax +48 59 8 414 414; +48 59 8 414 413

e-mail: [office@autohak.com.pl](mailto:office@autohak.com.pl)

[www.autohak.com.pl](http://www.autohak.com.pl)




# AUTO-HAK


## MAZDA CX-5


SUV, ~~AdBlue~~

 2017 →

 E20-55R-01 5202

**D** 10,8 kN


 R=2100 kg

 S=100 kg

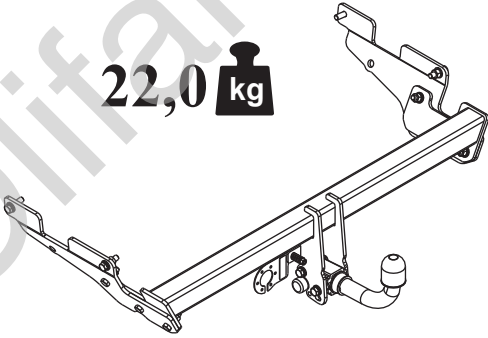
Nr kat.


**M69A**

  2h





 22,0 kg

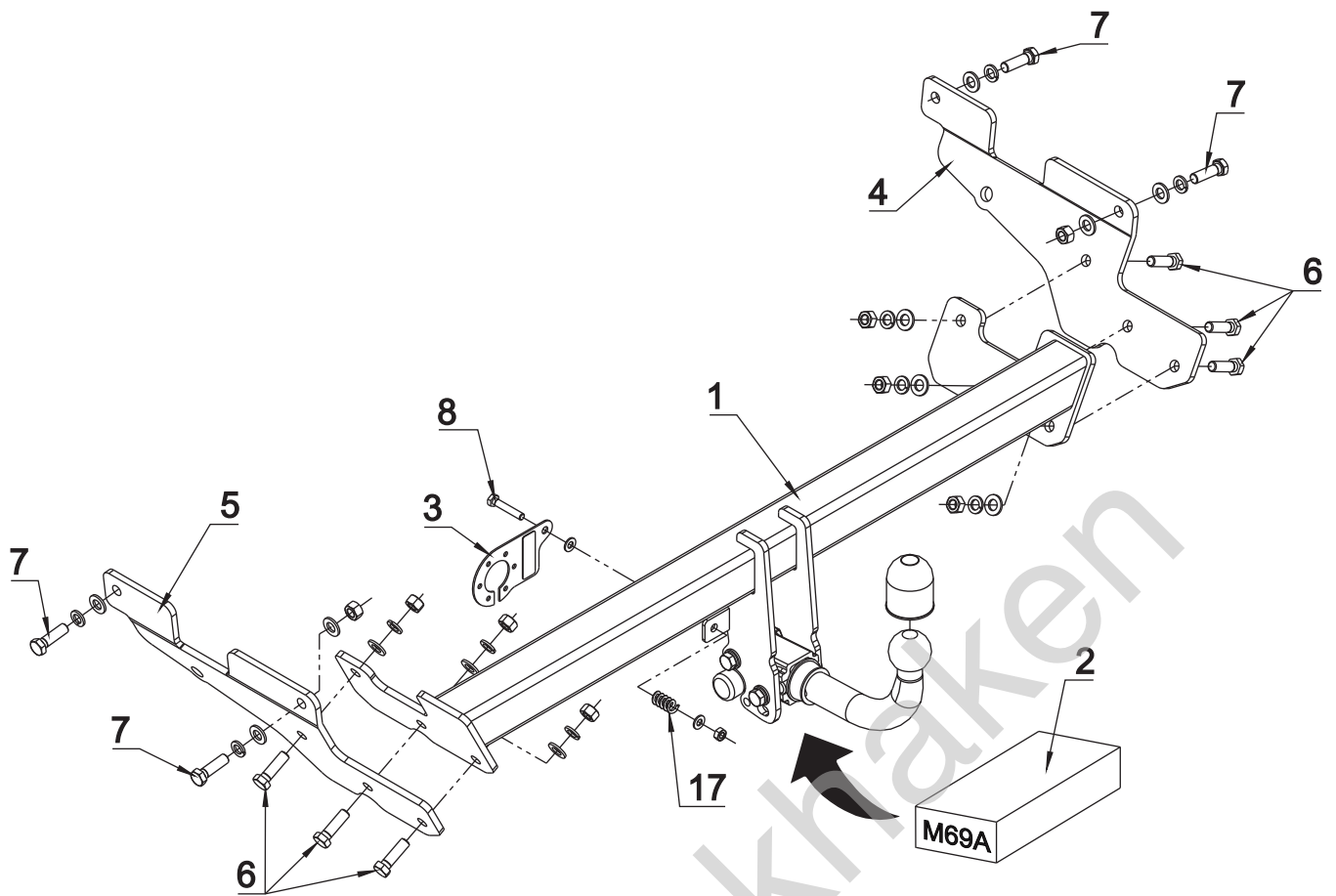


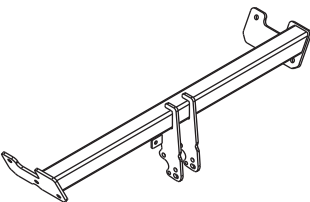

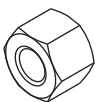
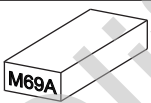


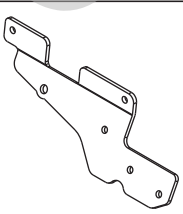

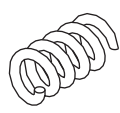
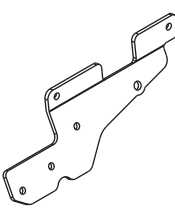
FULL VERSION INSTRUCTION



śruba	Nm	M6	M8	M10	M12	M14	M16
klasa 8.8		9,9	24	48	83	132	200
klasa 10.9		14	34	67	117	185	285

 0 km →  1000 km



1		x1		6 M12x40	x6
				7 M12x1.25x40	x4
				8 M8x45	x1
2		x1 Art.nr-KL1M69A		9 M12	x6
3		x1 Art.nr-BL1M69A		10 M12x1.25	x2
4		x1		11 M8	x1
			15		x1
5		x1			

