

# AUTO-HAK Sp. z o.o.

ul. Słoneczna 16K 76-200 SŁUPSK  
POLAND

tel/fax +48 59 8 414 414; +48 59 8 414 413

e-mail: [office@autohak.com.pl](mailto:office@autohak.com.pl)

[www.autohak.com.pl](http://www.autohak.com.pl)



# AUTO-HAK



MAZDA CX 3

Cat. no:

**M68A**



2015 →



E20-55R-01 4501



2h



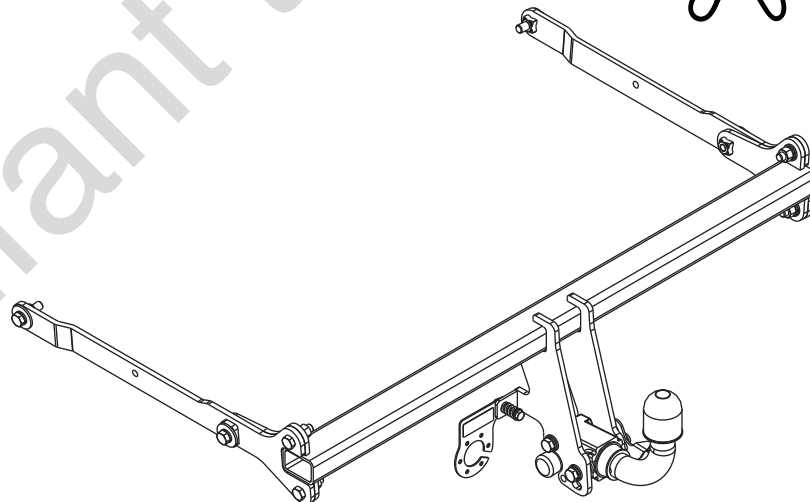
9,31 kN



R=1800 kg



S=75 kg



M6 - 11 Nm  
M10 - 50 Nm  
M14 - 138 Nm

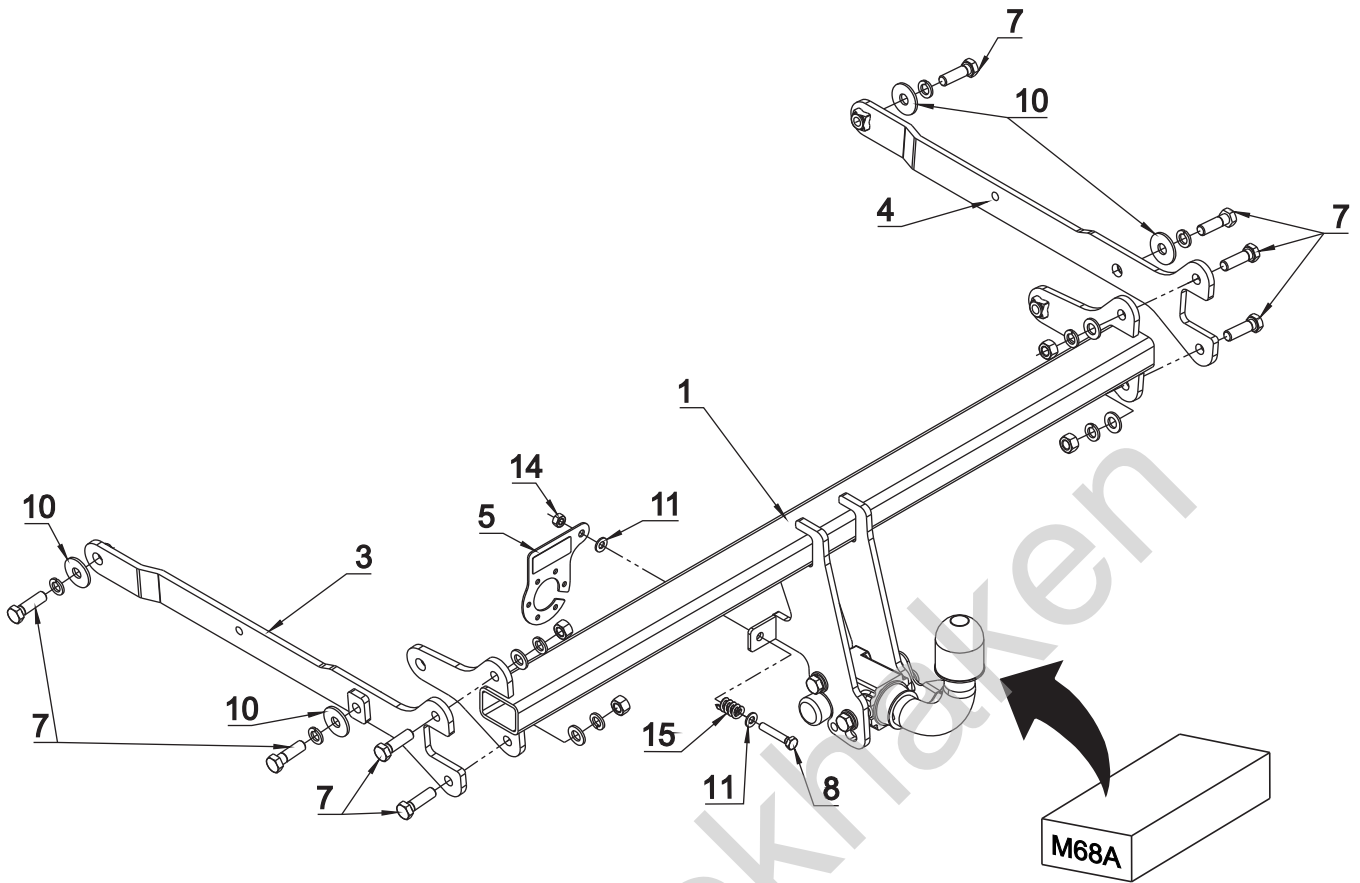
M8 - 25 Nm  
M12 - 87 Nm  
M16 - 210 Nm

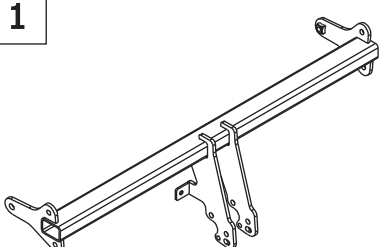

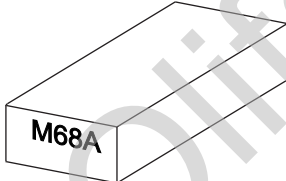

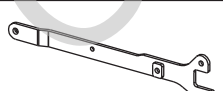
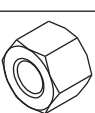
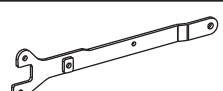
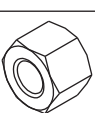





0 km →

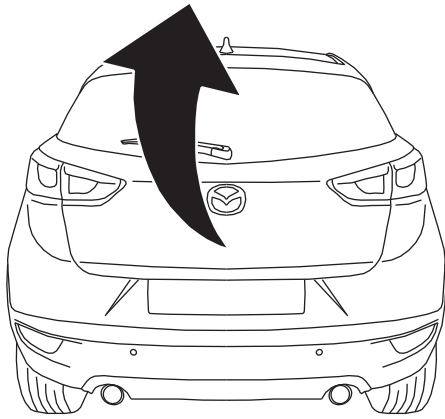


1000 km

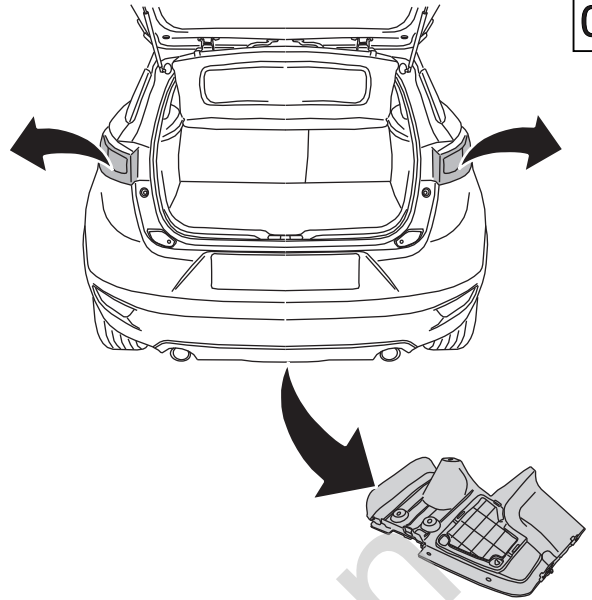


1		x 1		7	M 12x45	x 8
				8	M 8x45	x 1
2		x 1		9	∅ 13	x 4
				10	∅ 37x∅13x3 13 (DIN 9021)	x 4
3		x 1		11	∅ 8,2	x 2
				12	∅ 12.2	x 8
4		x 1		13	M 12	x 4
				14	M 8	x 1
5		x 1	15		x 1	
6		x 1				
Art.nr-Z100 Art.nr-KL1M68A						
Art.nr-BL1M68A						

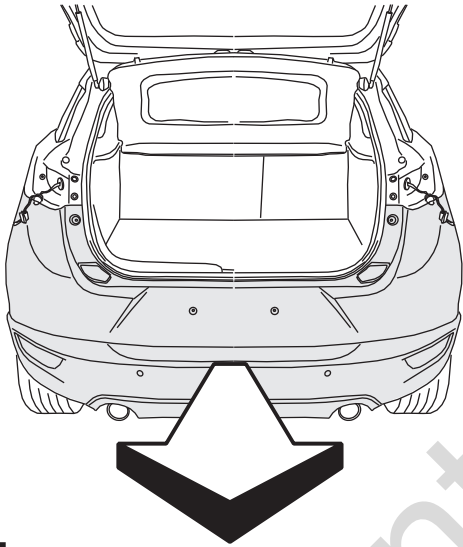
01



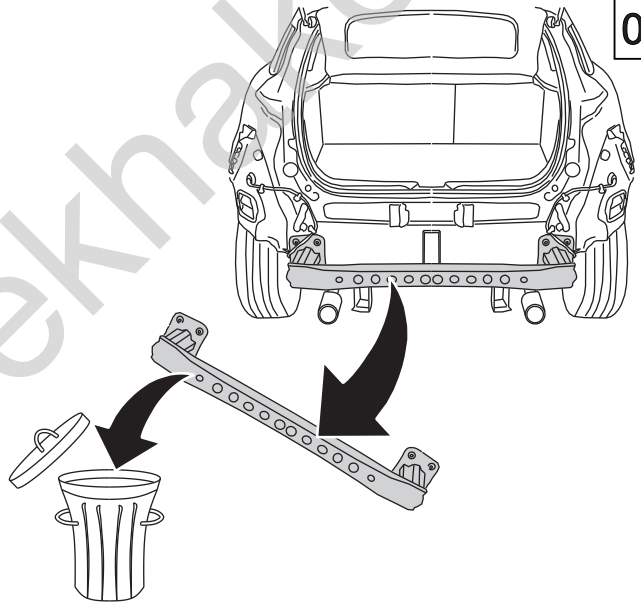
02



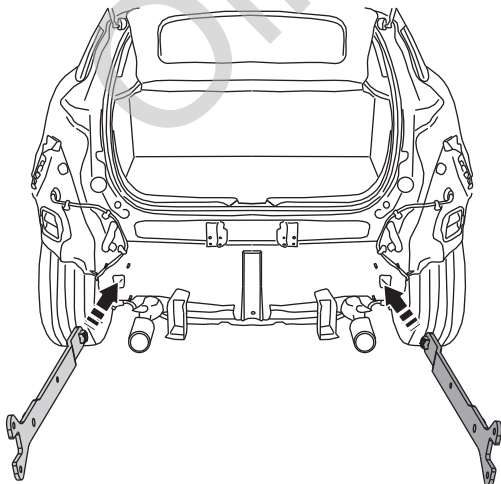
03



04



05



06

