

PPUH AUTO-HAK Sp.J.

Henryk & Zbigniew Nejman
ul. Słoneczna 16K 76-200 SŁUPSK
POLAND

tel/fax +48 059 8-414-414; 8-414-413

e-mail: office@autohak.com.pl

www.autohak.com.pl



AUTO-HAK



MAZDA 6 KOMBI GH

Cat. no:

M67A



05.2008 → 01.2013



E20-55R-01 4385



9,83 kN



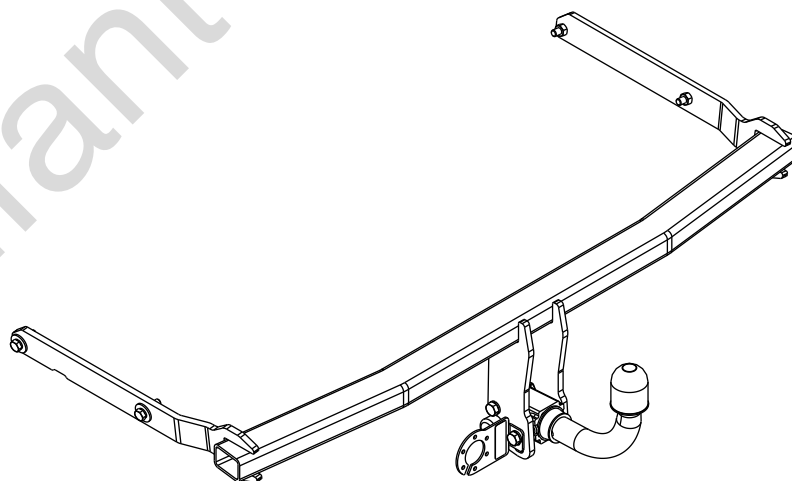
2h



R=1800 kg



S=75 kg



M6 - 11 Nm
M10 - 50 Nm
M14 - 138 Nm

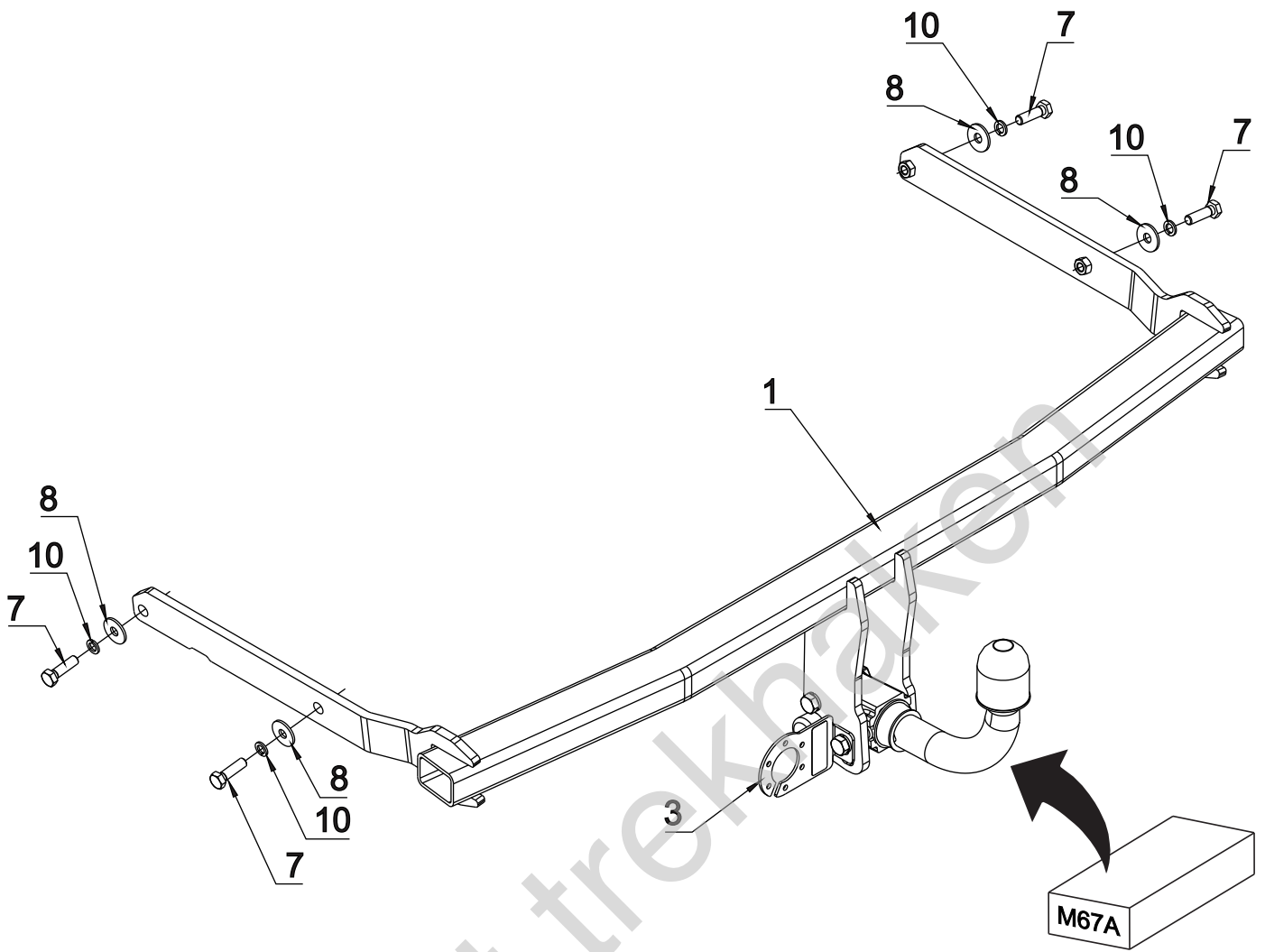
M8 - 25 Nm
M12 - 87 Nm
M16 - 210 Nm

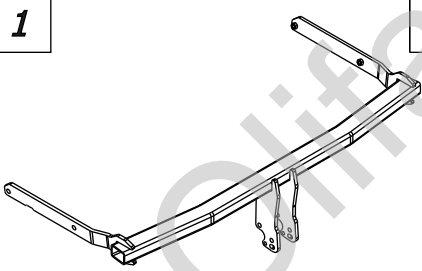
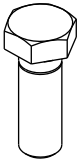
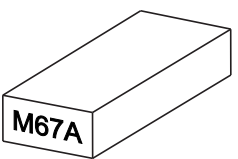

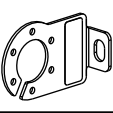



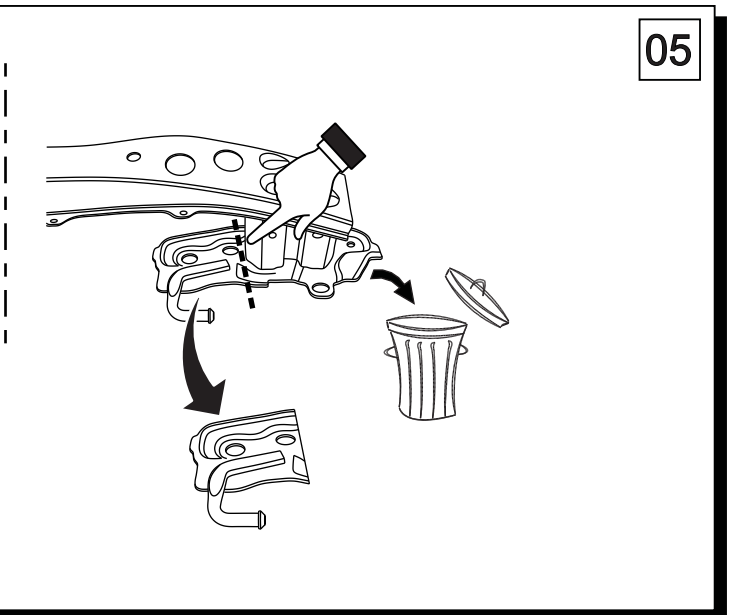
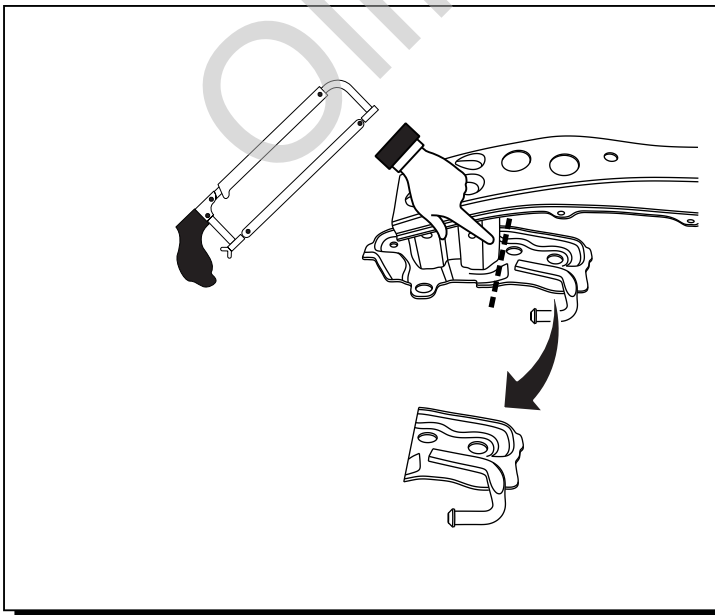
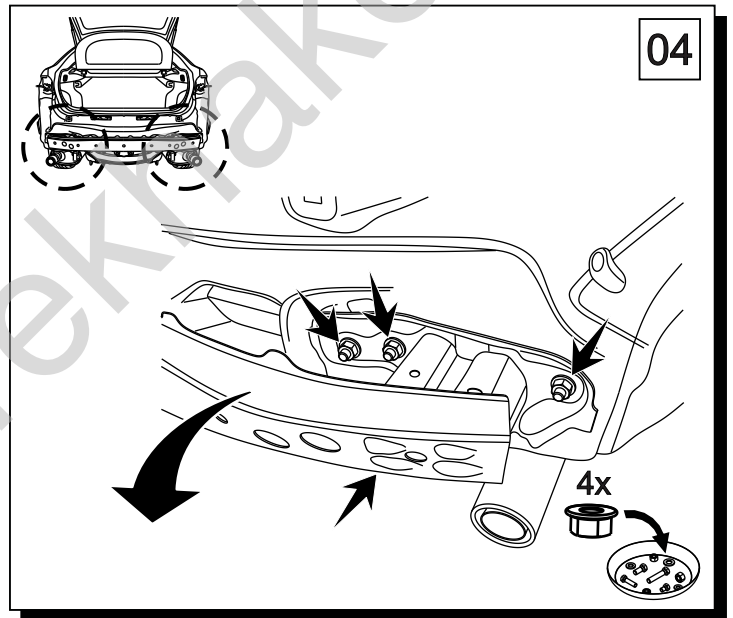
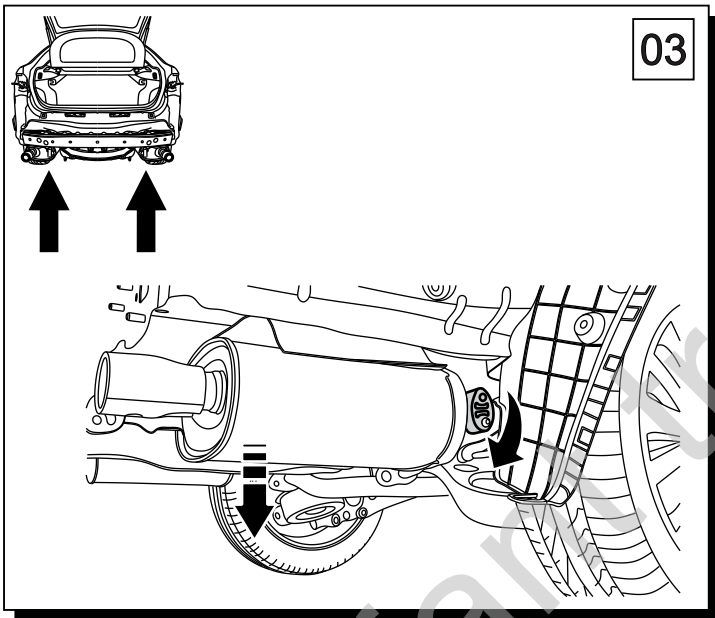
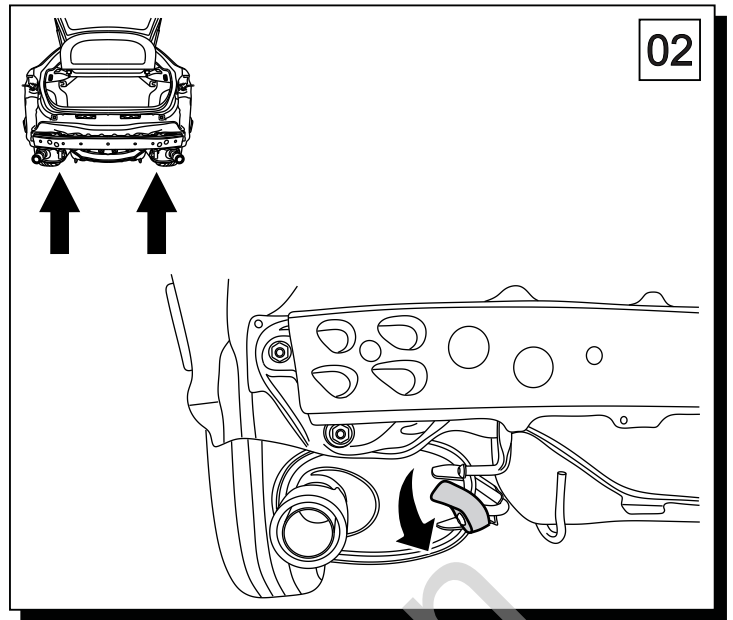
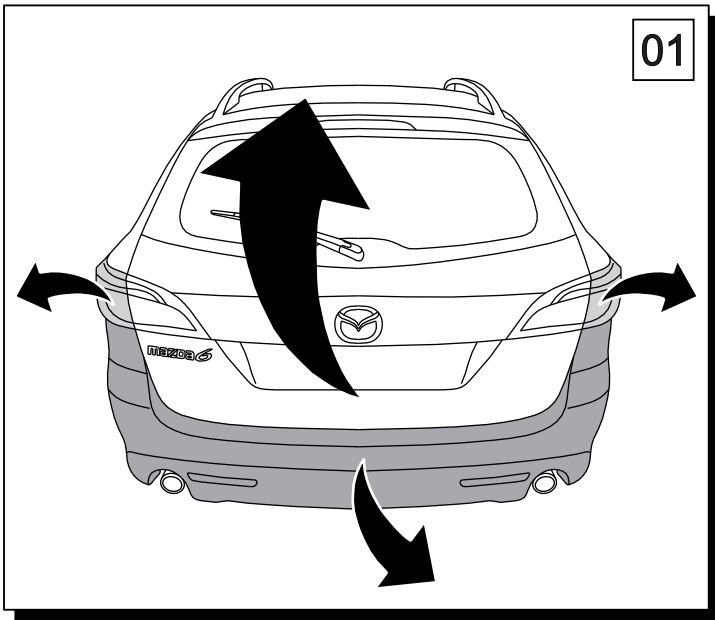
0 km →



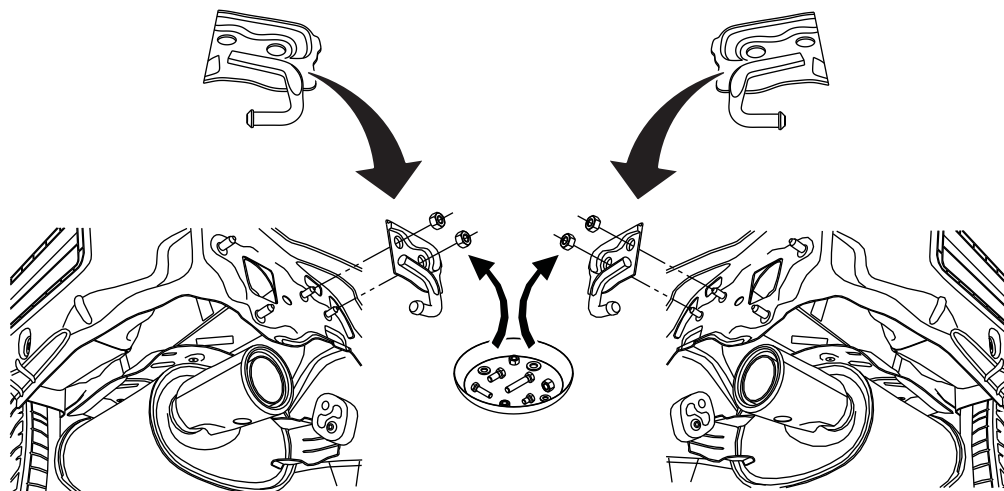
1000 km



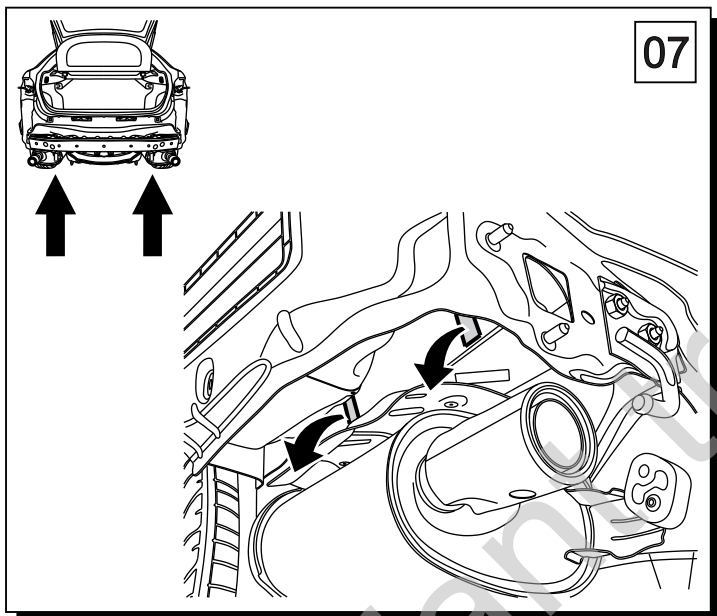
1 	x1		5 M12x30	x2
			6 M12x25	x2
			7 M10x35	x4
			8 $\varnothing 30 \times \varnothing 10.5 \times 2.5$ 10 – DIN 9021	x4
2 	x1		9 $\varnothing 12.2$	x4
			10 $\varnothing 10.2$	x4
3 	x1		Art.nr-BL1M67A	
4 	x1			



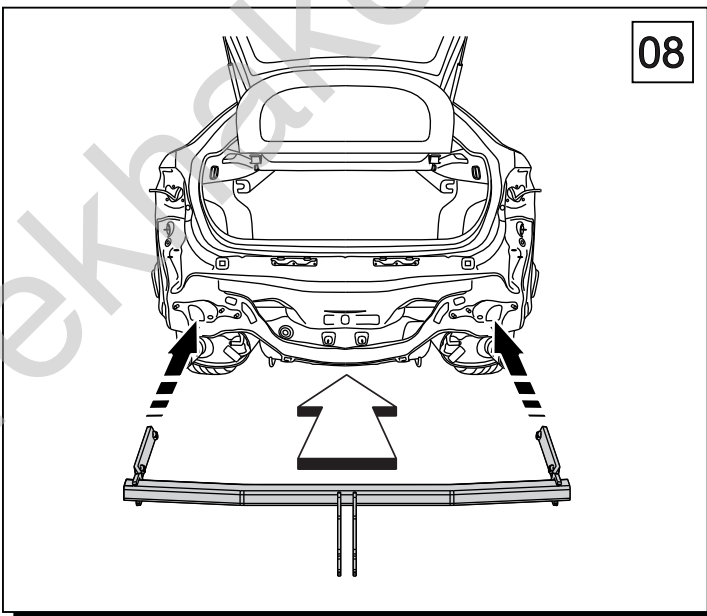
06



07



08



09

