

PPUH AUTO-HAK Sp.J.

Henryk & Zbigniew Nejman
ul. Słoneczna 16K 76-200 SŁUPSK
POLAND

tel/fax +48 059 8-414-414; 8-414-413

e-mail: office@autohak.com.pl

www.autohak.com.pl



AUTO-HAK



MAZDA CX-9

Cat. no:

M65A



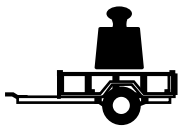
12.2012 → 12.2015



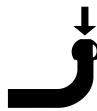
E20-55R-01 4140



10,7 kN



R=1600 kg



S=100 kg



2h



21,4 kg



M6 - 11 Nm
M10 - 50 Nm
M14 - 138 Nm

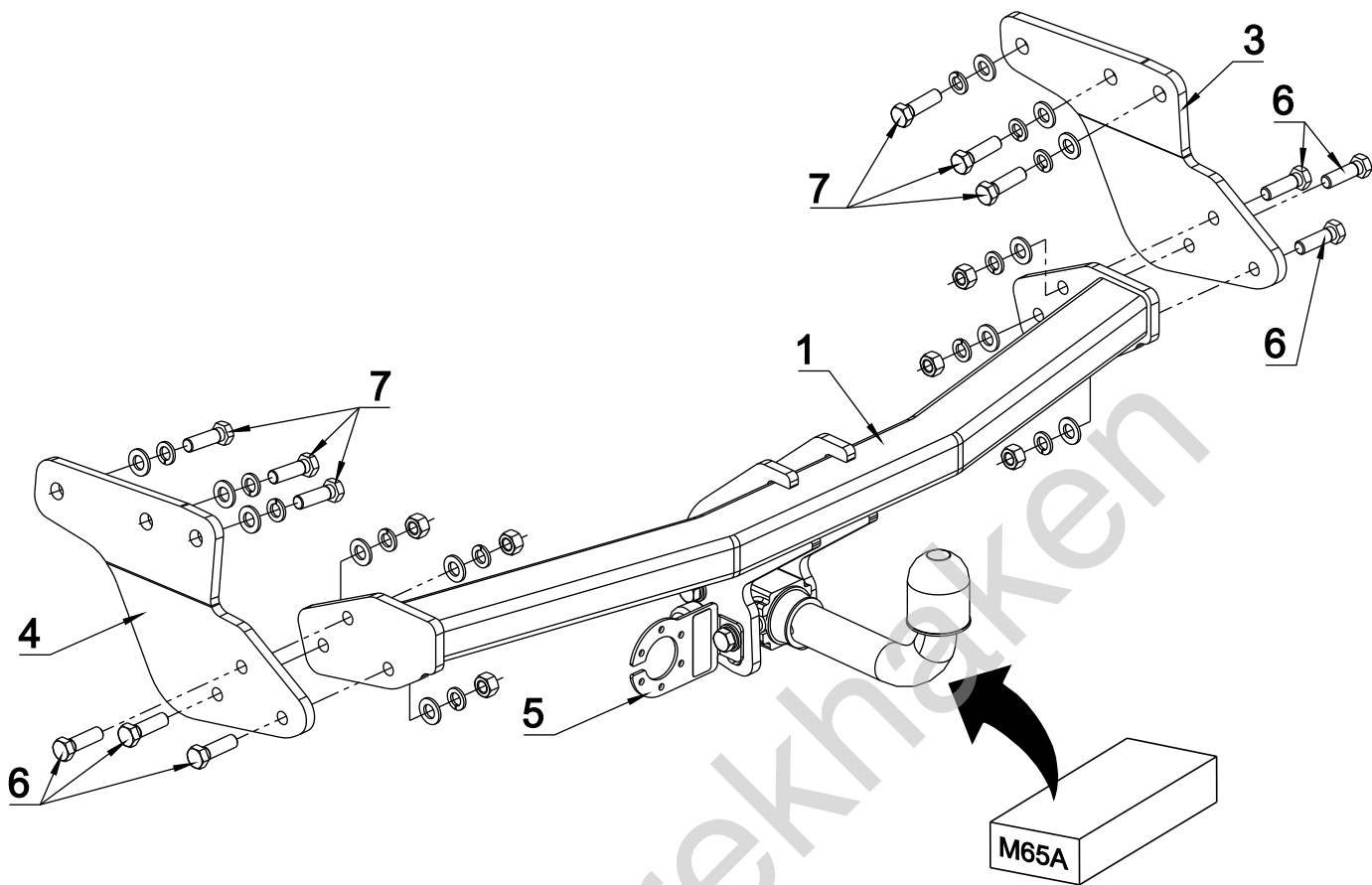
M8 - 25 Nm
M12 - 87 Nm
M16 - 210 Nm

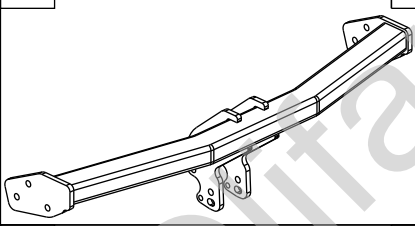
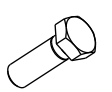

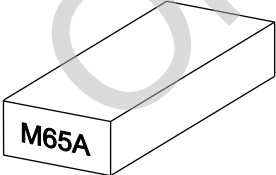

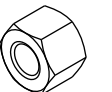
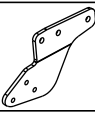
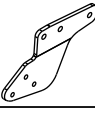
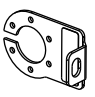


0 km →

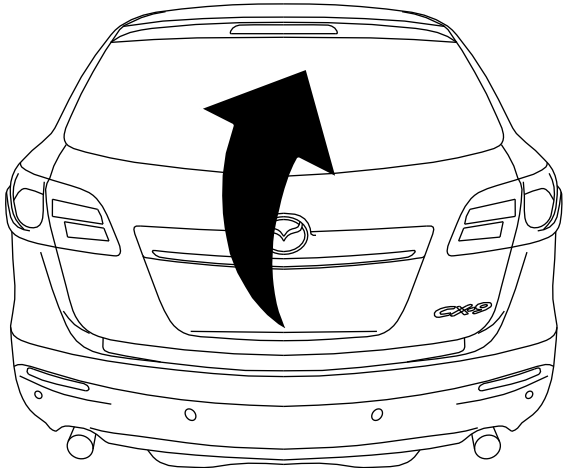


1000 km

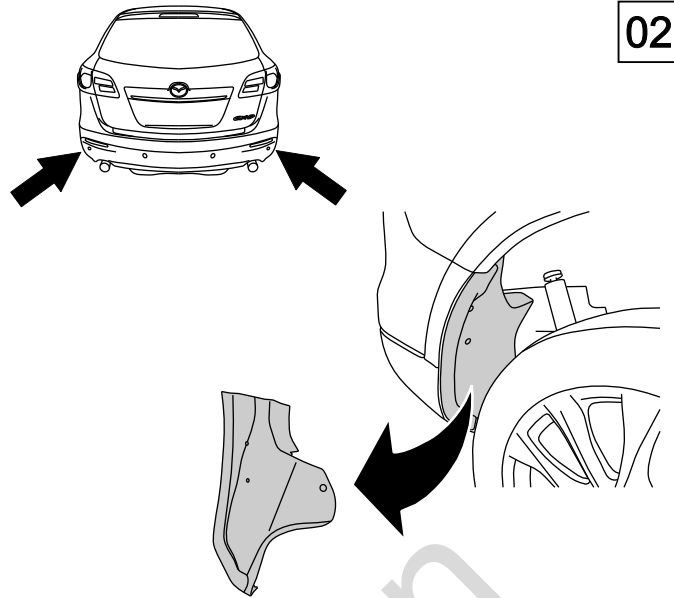


1	x 1			6 M12x40	x 6
				7 M12x1.25x40	x 6
				8 M12x25	x 4
				9 \varnothing 13	x 16
2	x 1	 <p data-bbox="485 1693 727 1738">Art.nr-KL1M65A</p>		10 \varnothing 12.2	x 14
				11 M12	x 6
3	x 1				
4	x 1				
5	x 1	 <p data-bbox="485 2007 727 2058">Art.nr-BL1M65A</p>			

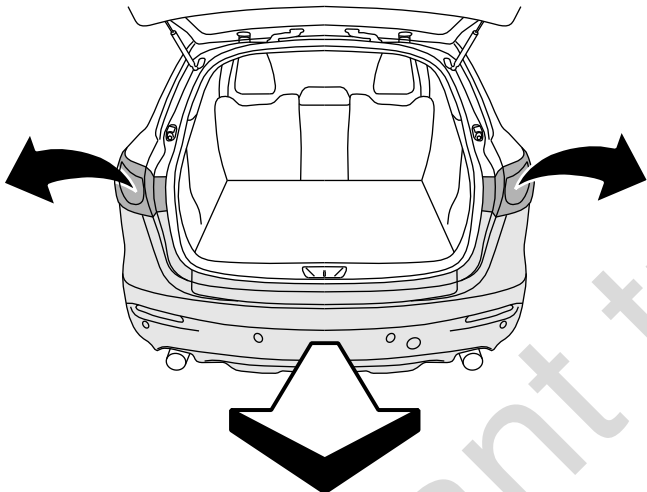
01



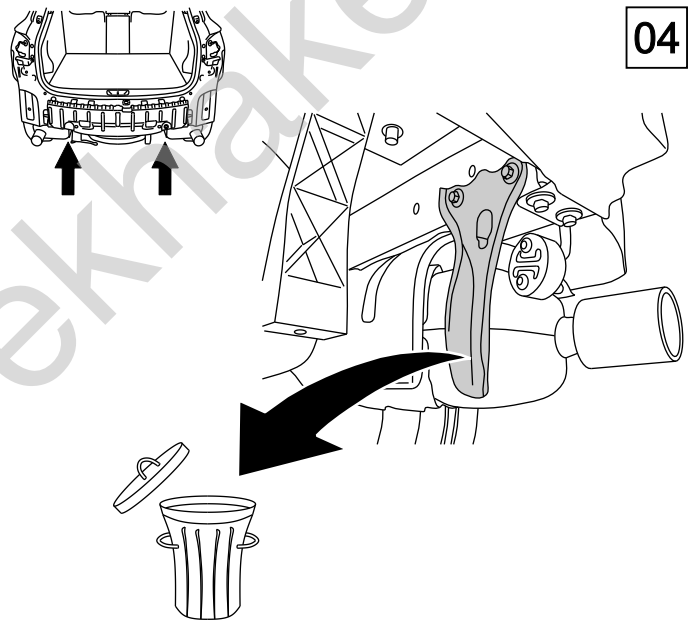
02



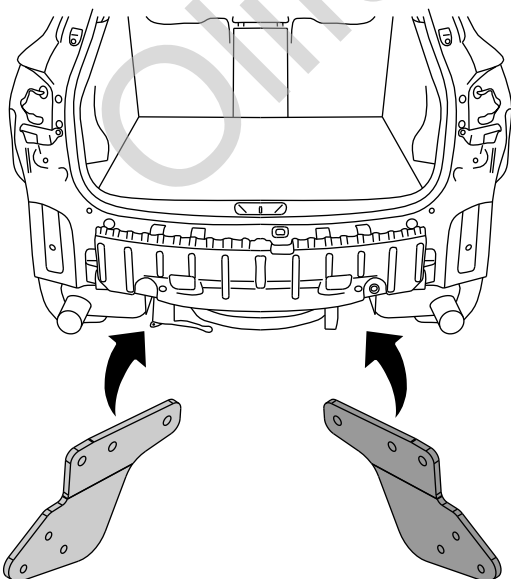
03



04



05



06

