

AUTO-HAK Sp. z o.o.

ul. Słoneczna 16K 76-200 SŁUPSK
POLAND

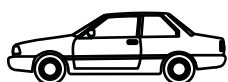
tel/fax +48 59 8 414 414; +48 59 8 414 413

e-mail: office@autohak.com.pl

www.autohak.com.pl



AUTO-HAK



**MAZDA 3
5D, (J36A)**

Nr kat.

M63A



10.2013 → 12.2018



E20-55R-01 4106



1,5h



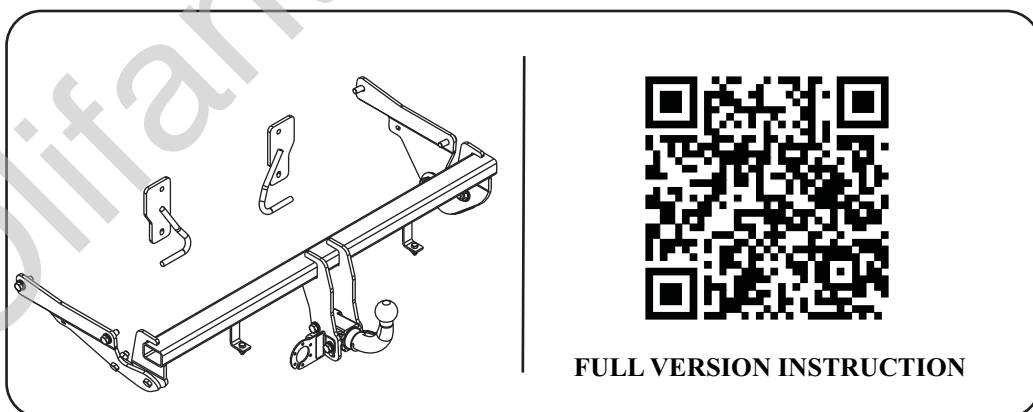
9,37 kN



R=1860 kg



S=75 kg



FULL VERSION INSTRUCTION



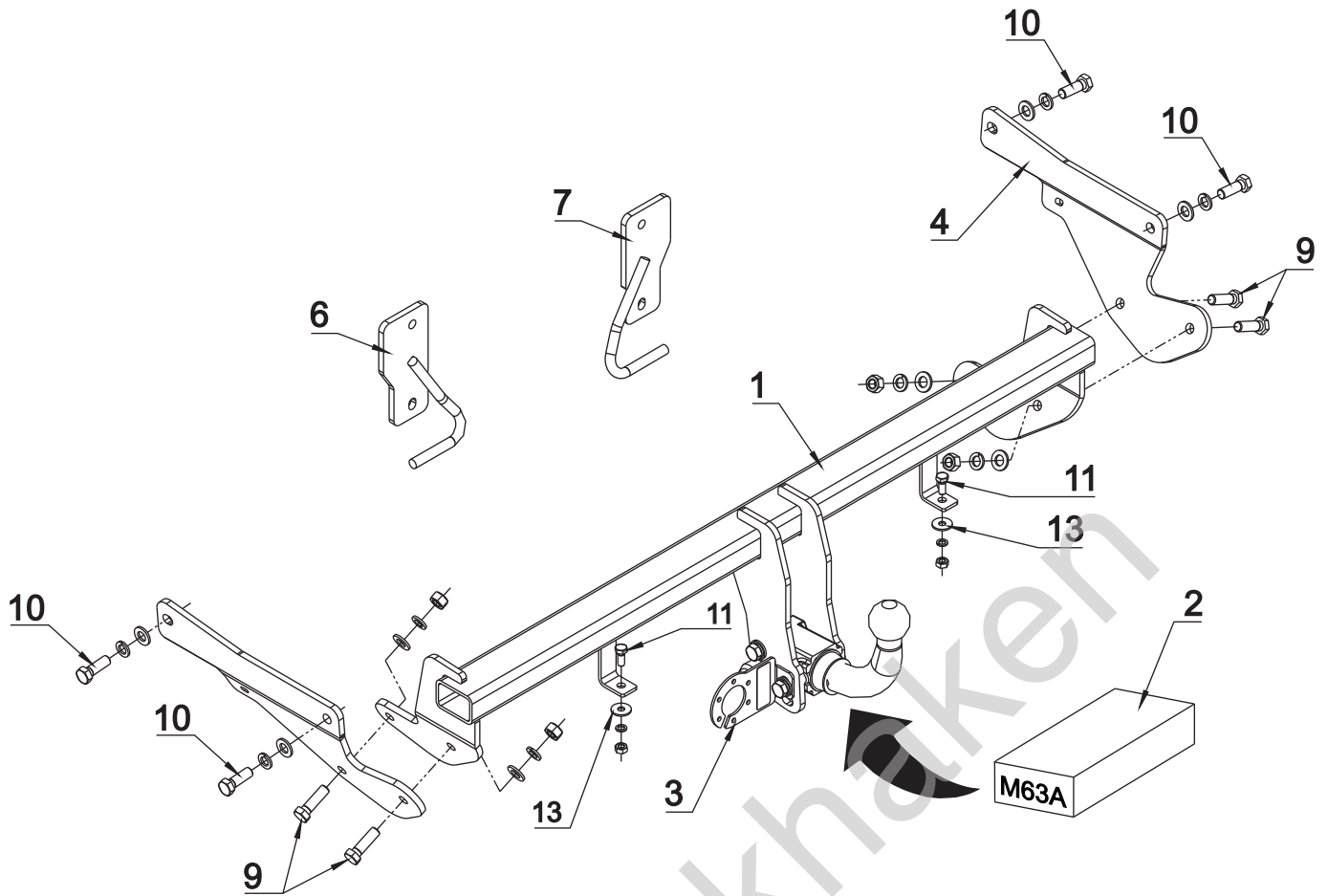
śruba	Nm	M6	M8	M10	M12	M14	M16
klasa 8.8		9,9	24	48	83	132	200
klasa 10.9		14	34	67	117	185	285

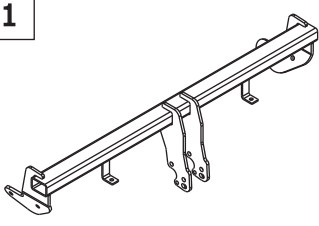

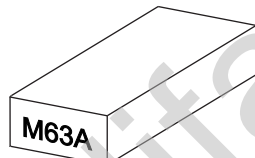

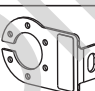








0 km



1000 km



	x1		9	M12x40	x4
			10	M12x1.25x35	x4
			11	M8x20	x2
			12	∅ 13	x8
			13	∅ 24x∅8.5x2 8 (DIN 9021)	x2
	x1		14	∅ 12.2	x8
			15	∅ 8.2	x2
			16	M12	x4
	x1		17	M8	x2
			Art.nr-BL1M63A		
	x1				
	x1				
	x1				
	x1				
	x1				

