

AUTO-HAK Sp. z o.o.

ul. Słoneczna 16K 76-200 SŁUPSK
POLAND

tel/fax +48 59 8 414 414; +48 59 8 414 413

e-mail: office@autohak.com.pl

www.autohak.com.pl



AUTO-HAK

MAZDA 6 KOMBI

(GJ)

⌚ 02.2013 → 07.2018

(GL)

⌚ 08.2018 →

Cat. no:

M62A



E20-55R-01 3728



2h

D

10,1 kN



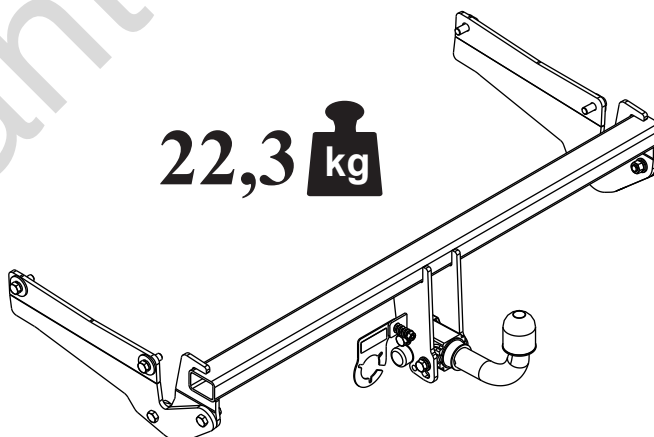
R=1800 kg



S=75 kg



22,3  kg



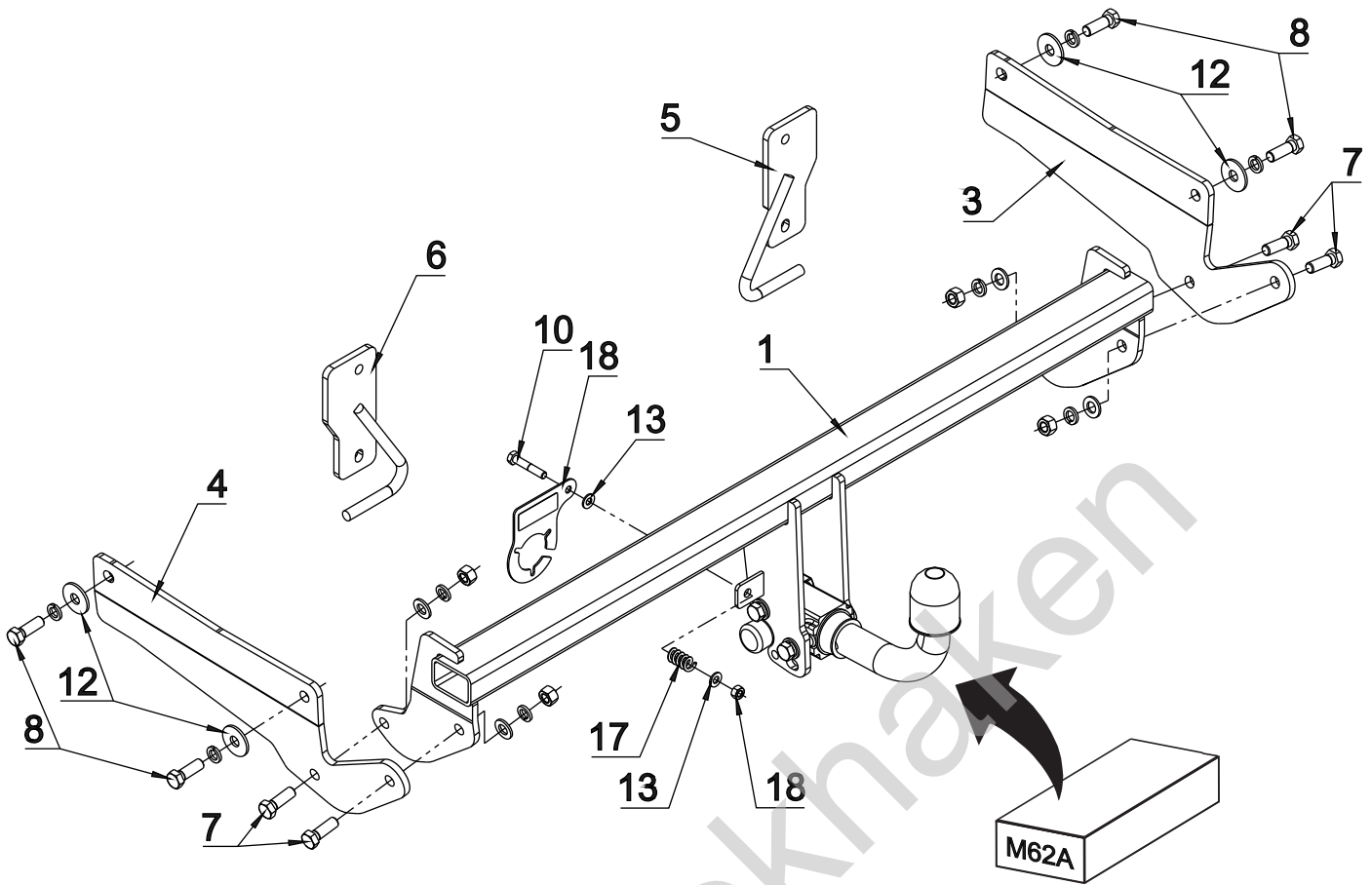
| śruba | Nm | M6 | M8 | M10 | M12 | M14 | M16 |
|------------|----|-----|----|-----|-----|-----|-----|
| klasa 8.8 | | 9,9 | 24 | 48 | 83 | 132 | 200 |
| klasa 10.9 | | 14 | 34 | 67 | 117 | 185 | 285 |

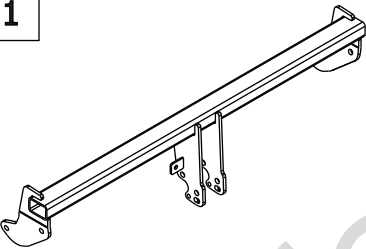

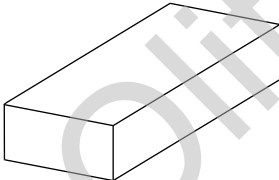

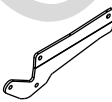

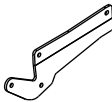
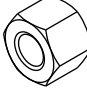

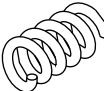




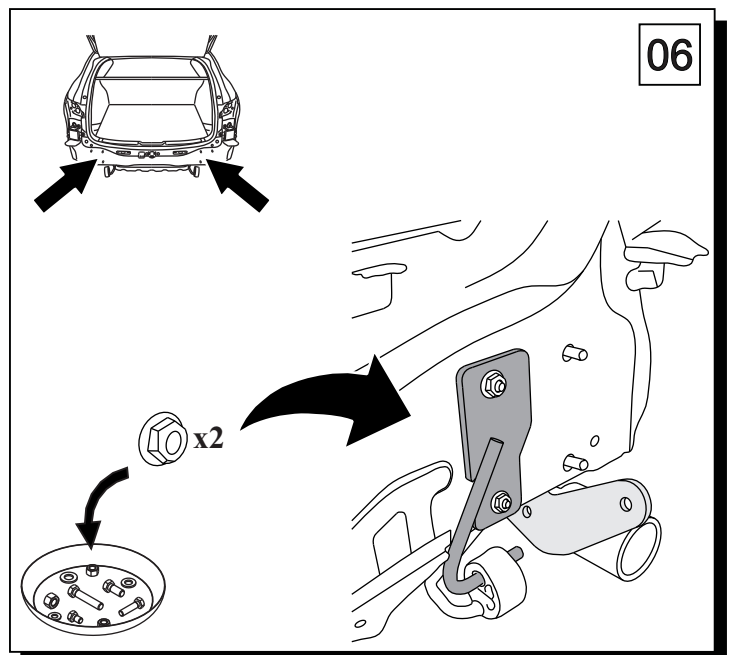
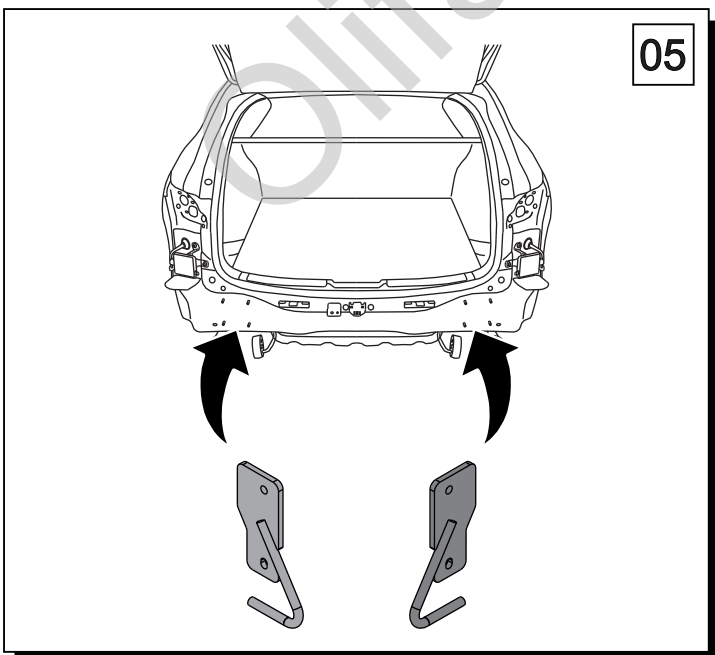
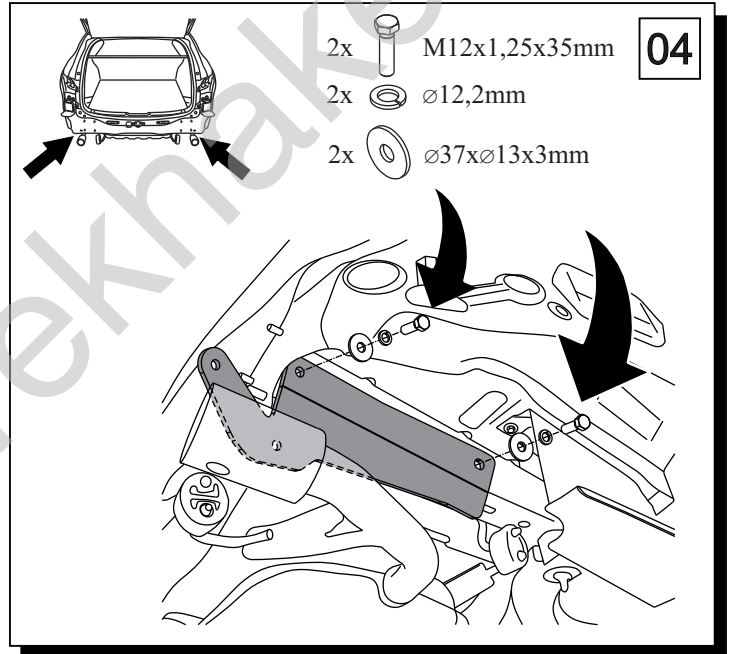
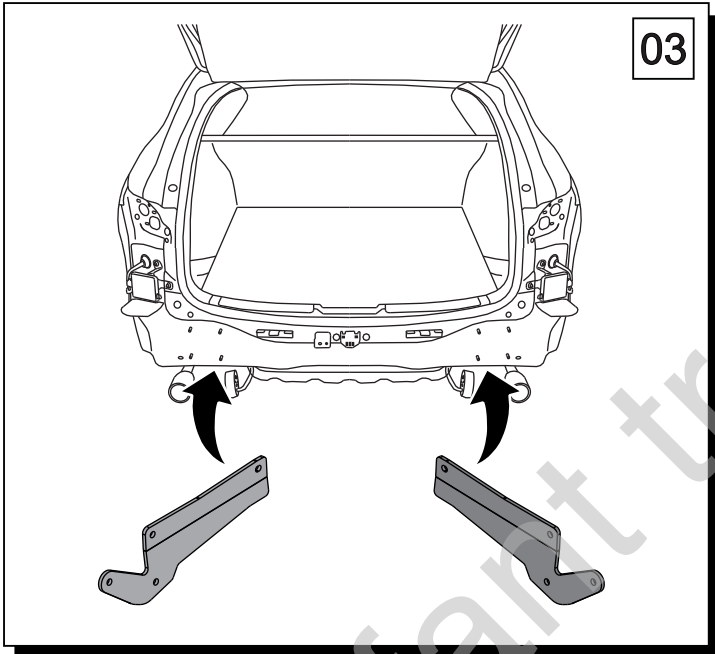
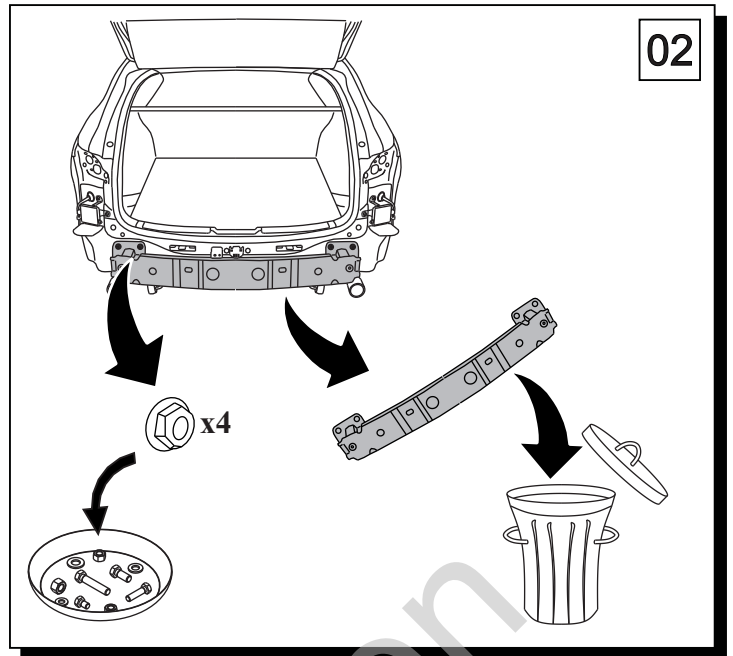
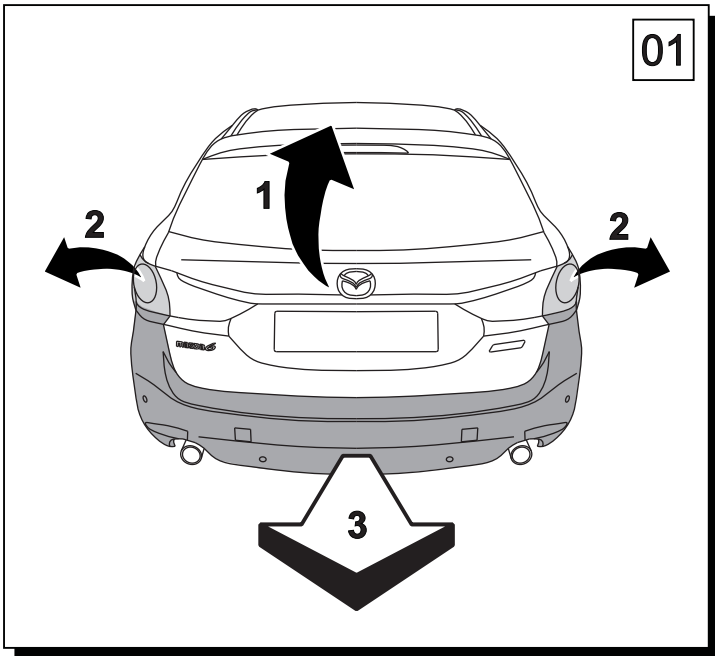
0 km →

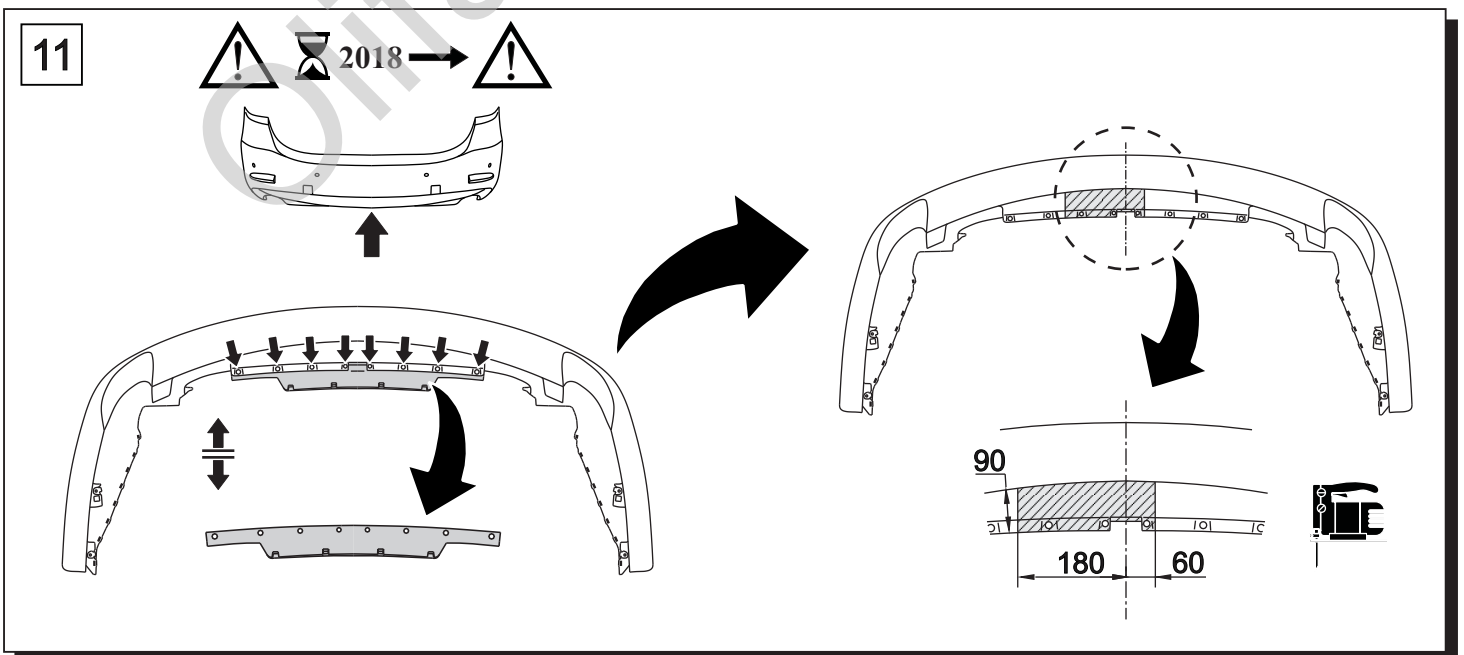
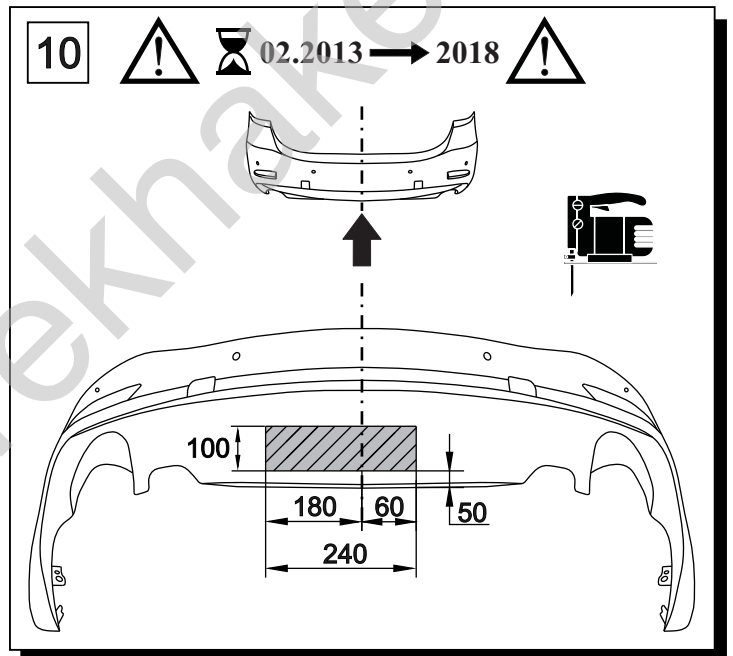
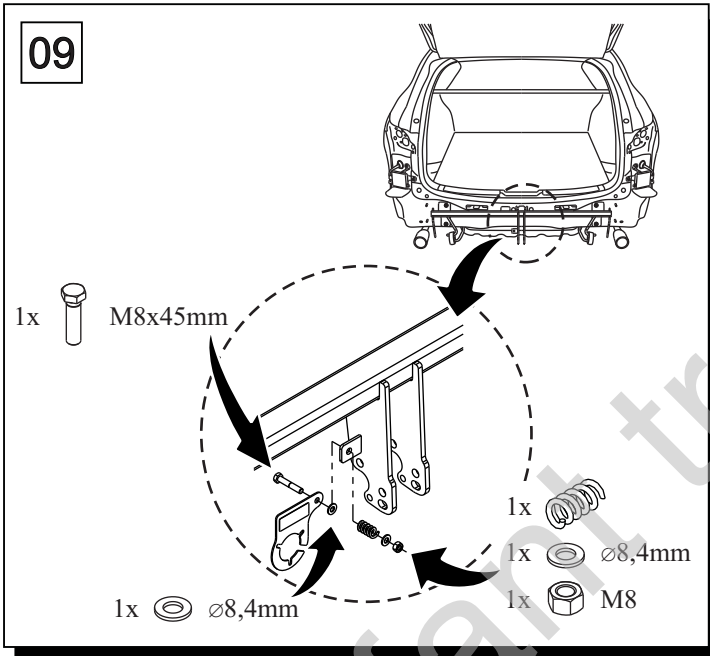
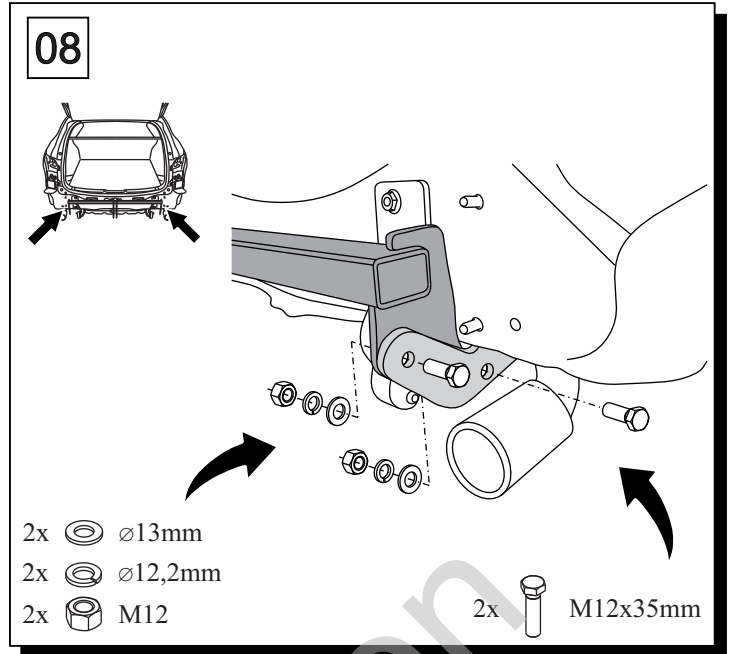
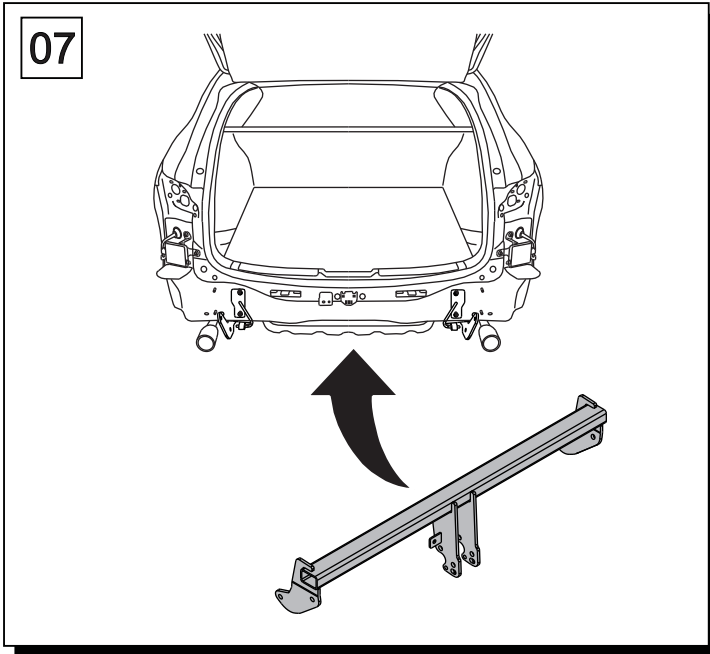


1000 km

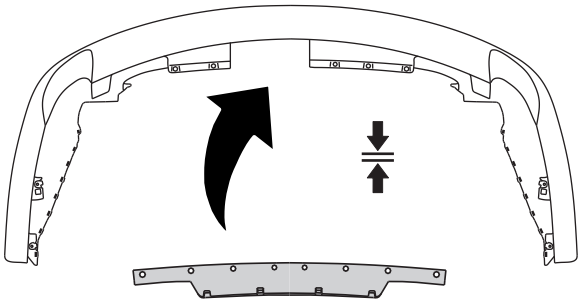


| | | | | | | |
|---|---|-----|---|--|-----------------------------|--|
| 1 |  | x 1 |  | 7 | M 12x35 | x 4 |
| | | | | 8 | M 12x1,25x35 | x 4 |
| 2 |  | x 1 |  | 9 | M 12x25 | x 4 |
| | | | | 10 | M 8x45 | x 1 |
| | | | | 11 | ∅ 13 | x 6 |
| | | | | 12 | ∅ 37x∅13x3 13 (DIN 9021) | x 4 |
| 3 |  | x 1 |  | 13 | ∅ 8,3 | x 2 |
| | | | | 14 | ∅ 12.2 | x 12 |
| 4 |  | x 1 |  | 15 | M 12 | x 4 |
| | | | | 16 | M 8 | x 1 |
| 5 |  | x 1 | 17 |  | x 1 | |
| 6 |  | x 1 | | | 18 |  |
| | | | Art.nr-BL12M62A | | | |

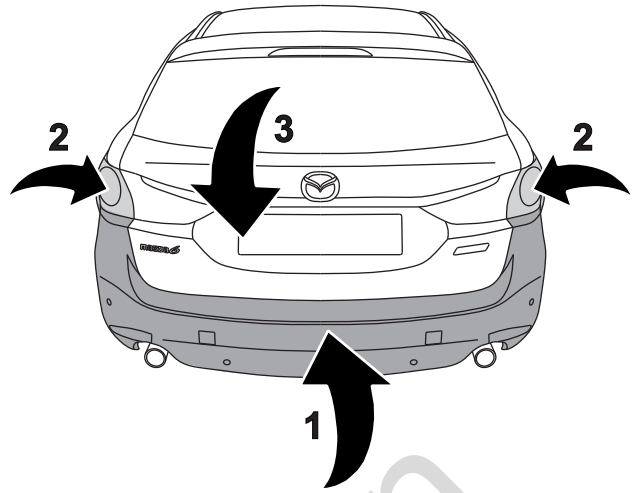




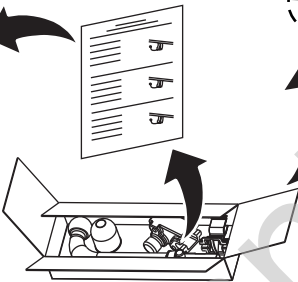
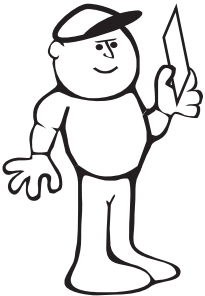
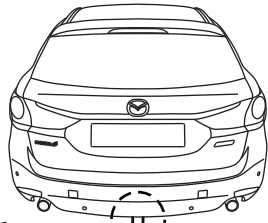
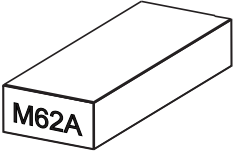
12



13



14



Olitaritrekhaken