

PPUH AUTO-HAK Sp.J.

Henryk i Zbigniew Nejman
ul. Słoneczna 16K 76-200 SŁUPSK
POLAND

tel/fax +48 59 8 414 414; +48 59 8 414 413

e-mail: office@autohak.com.pl

www.autohak.com.pl



AUTO-HAK



MAZDA CX-5

Cat. no:

M60A



04.2012 → 11.2016



E20-55R-01 3500



10,8 kN



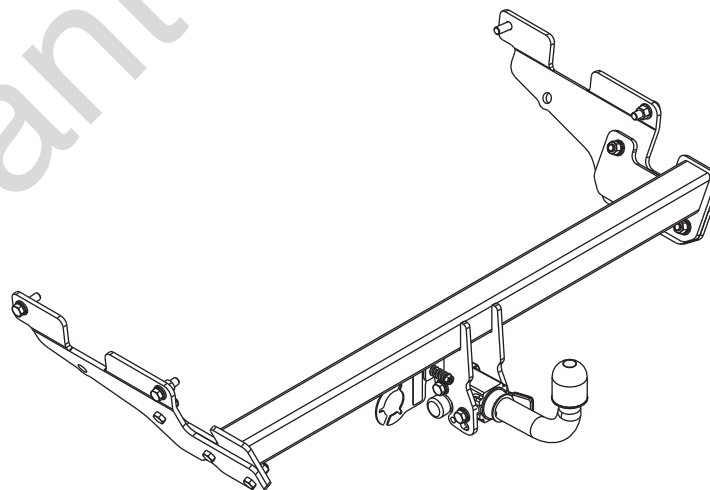
2h



R=2100 kg



S=100 kg



M6 - 11 Nm
M10 - 50 Nm
M14 - 138 Nm

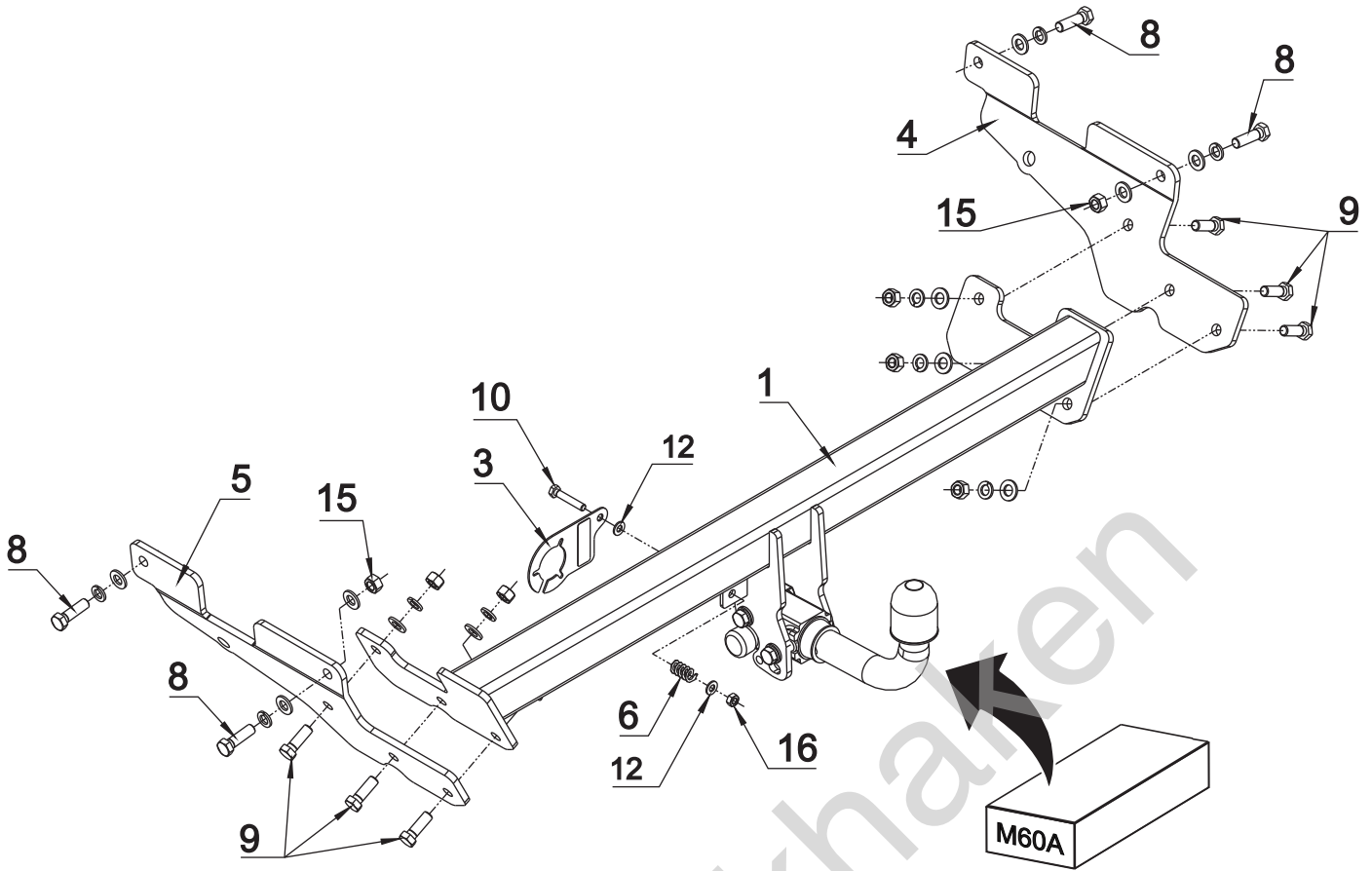
M8 - 25 Nm
M12 - 87 Nm
M16 - 210 Nm

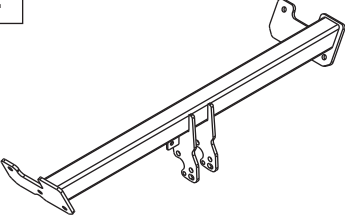











0 km →



1000 km



1 	x 1		8 M12x1.25x40	x 4
			9 M12x40	x 6
			10 M8x45	x 1
			11 \varnothing 13	x 12
			12 \varnothing 8.4	x 2
2 	x 1		13 \varnothing 12.2	x 10
			Art.nr-KL1M60A	
3 	x 1		14 M12	x 6
			Art.nr-BL1M60A	15 M12x1.25
4 	x 1		16 M8	x 1
5 	x 1			
6 	x 1			
7 	x 1			

