

PPUH AUTO-HAK Sp.J.

Henryk & Zbigniew Nejman
ul. Słoneczna 16K 76-200 SŁUPSK
POLAND


tel/fax +48 059 8-414-414; 8-414-413


e-mail: office@autohak.com.pl

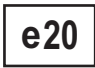
www.autohak.com.pl




AUTO-HAK


 **MAZDA CX-7**

 **08.2007 →**


 **e20** **e20*94/20*1102*00**

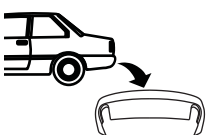
D **10,01 kN**


 **R=1900 kg**

 **S=85 kg**

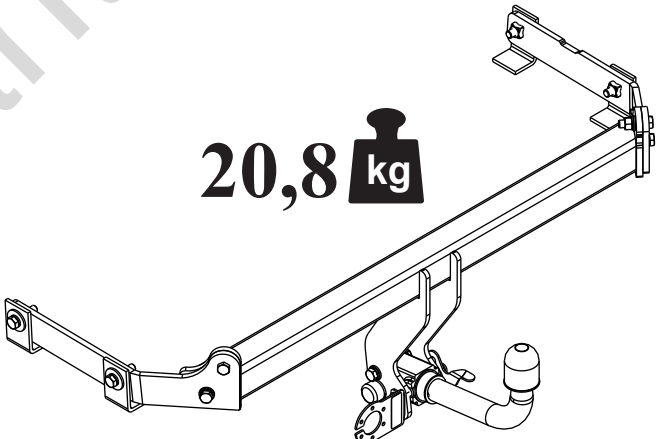
Cat. no:
M58A


 **2h**







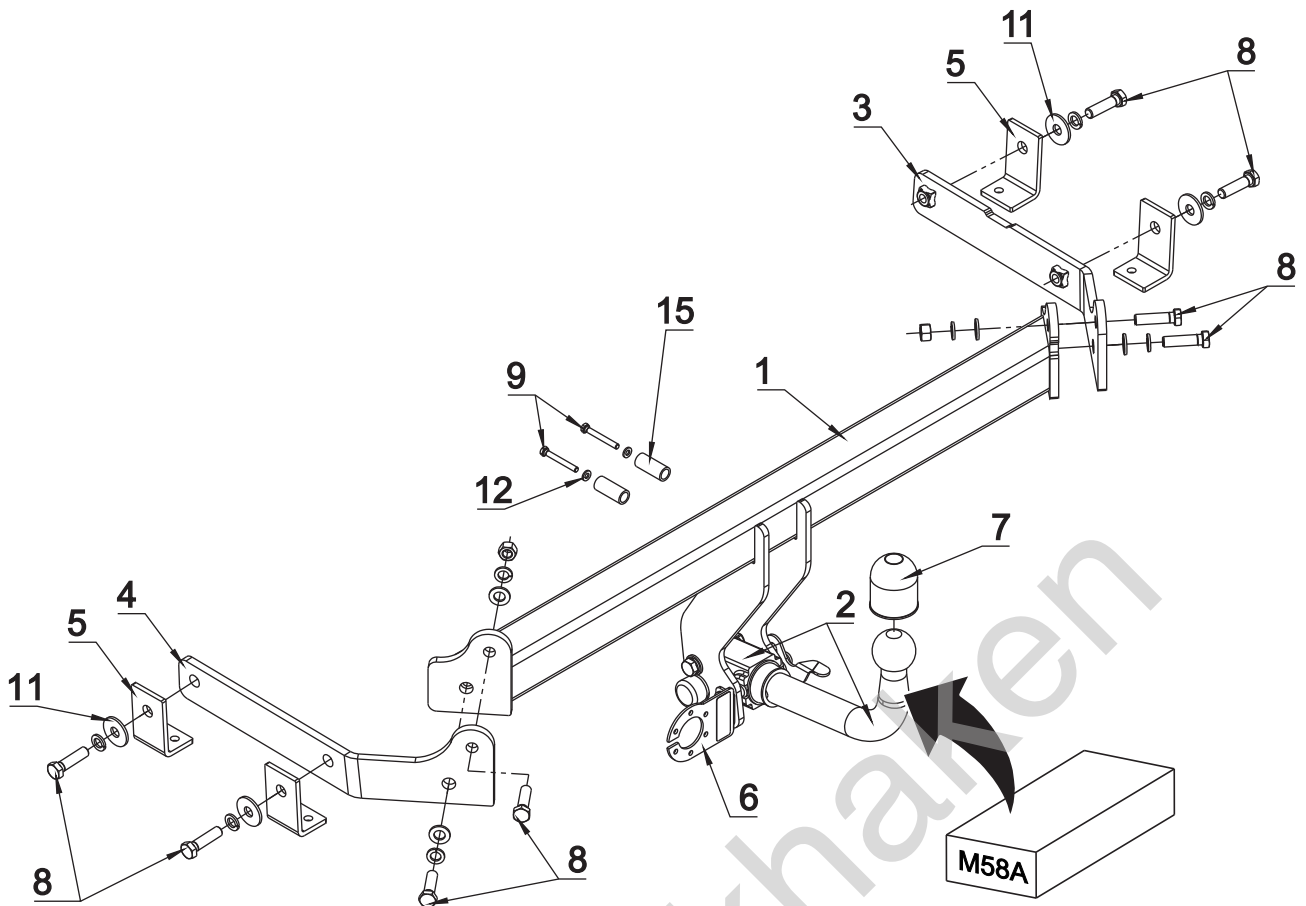
20,8 kg

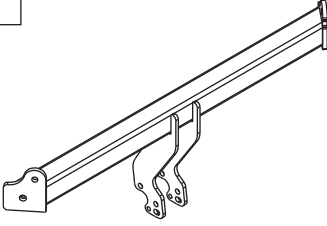

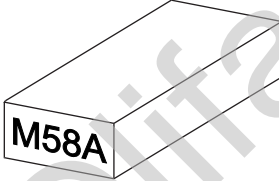

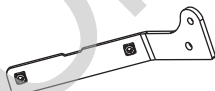

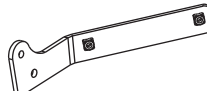


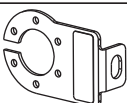





M6	-	11 Nm	M8	-	25 Nm
M10	-	50 Nm	M12	-	87 Nm
M14	-	138 Nm	M16	-	210 Nm

 **0 km** →  **1000 km**



	x1		8 M12x45	x8
			9 M6x50	x2
			10 \varnothing 13	x4
			11 \varnothing 37x \varnothing 13x3 13 – DIN 9021	x4
	x1		12 \varnothing 6.4	x2
			13 \varnothing 12.2	x8
Art.nr-KL1M58A				
	x1		14 M12	x2
	x1		15 \varnothing 17.2x2.35, L=40mm	x2
	x4			
	x1			
Art.nr-BL1M58A				
	x1			

