

# PPUH AUTO-HAK Sp.J.

Henryk i Zbigniew Nejman  
ul. Słoneczna 16K 76-200 SŁUPSK  
POLAND

tel/fax +48 59 8 414 414; +48 59 8 414 413

e-mail: [office@autohak.com.pl](mailto:office@autohak.com.pl)

[www.autohak.com.pl](http://www.autohak.com.pl)



# AUTO-HAK



**MAZDA 3**

4D (BL), ~~MPS 2.3L 191KW~~

Cat. no:

**M57A**



04.2009 → 09.2013

e20

e20\*94/20\*0907\*00

D

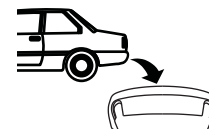
9,31 kN



1,5h



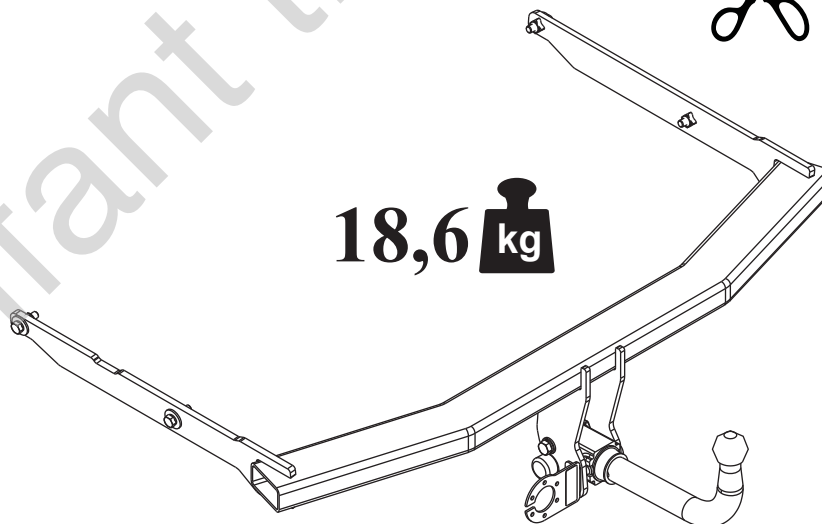
R=1800 kg



S=75 kg



18,6 kg



M6 - 11 Nm  
M10 - 50 Nm  
M14 - 138 Nm

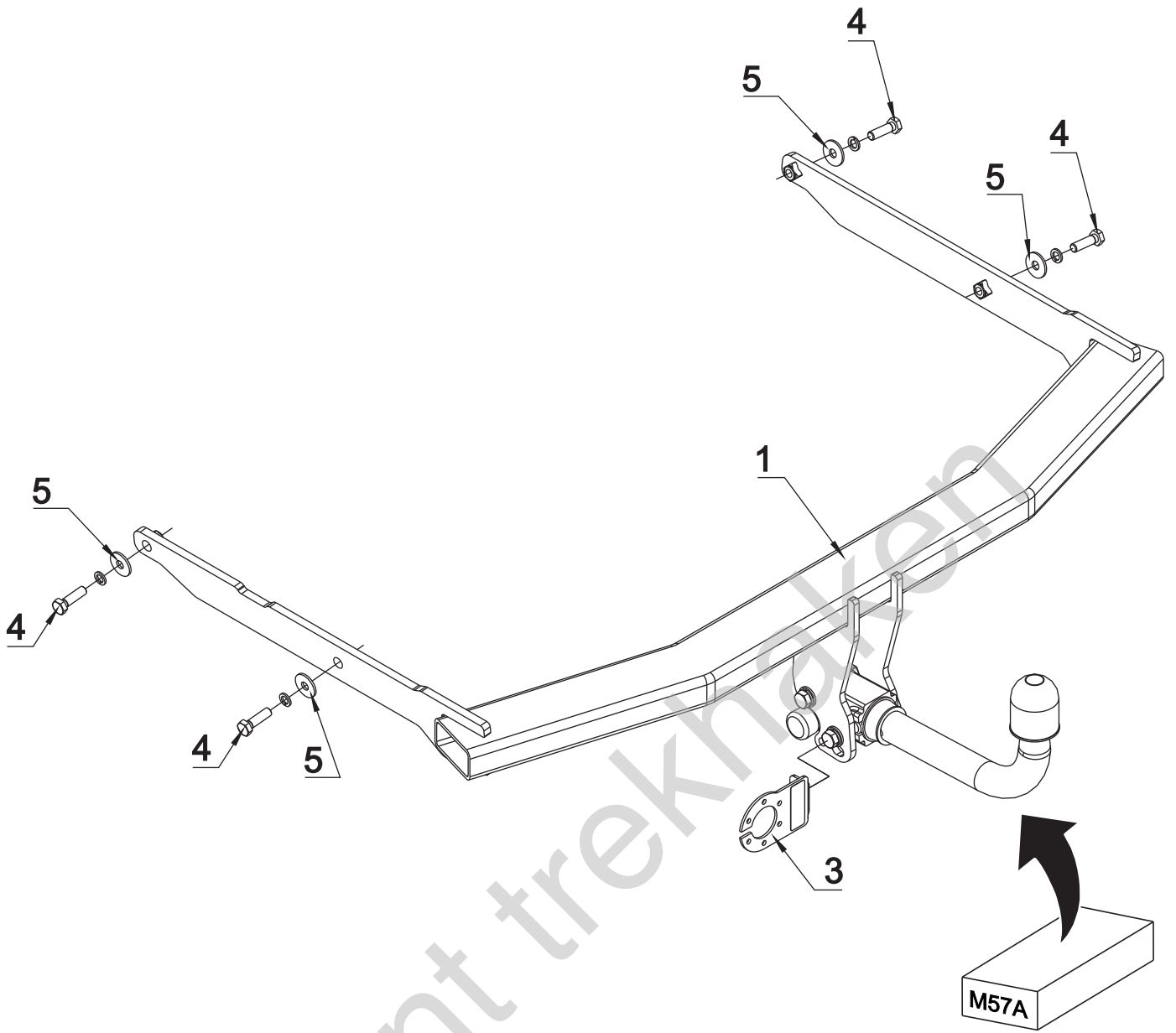
M8 - 25 Nm  
M12 - 87 Nm  
M16 - 210 Nm



0 km →



1000 km



	<b>x1</b>		<b>4</b> M10x35	<b>x4</b>
	<b>x1</b>		<b>5</b> $\varnothing$ 30x $\varnothing$ 10.5x2.5 10 (DIN 9021)	<b>x4</b>
	<b>x1</b>		<b>6</b> $\varnothing$ 10.2	<b>x4</b>
Art.nr-KL1M57A		Art.nr-BL1M57A		

