

# PPUH AUTO-HAK Sp.J.

Henryk i Zbigniew Nejman  
ul. Słoneczna 16K 76-200 SŁUPSK  
POLAND

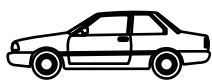
tel/fax +48 59 8 414 414; +48 59 8 414 413

e-mail: [office@autohak.com.pl](mailto:office@autohak.com.pl)

[www.autohak.com.pl](http://www.autohak.com.pl)



# AUTO-HAK



**MAZDA 2**

3/5D (DE), ~~Activematic~~

Cat. no:

**M55A**



09.2007 → 2015

e20

e20\*94/20\*0647\*00

D

7,0 kN



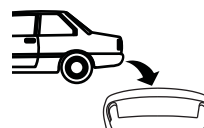
R=1230 kg



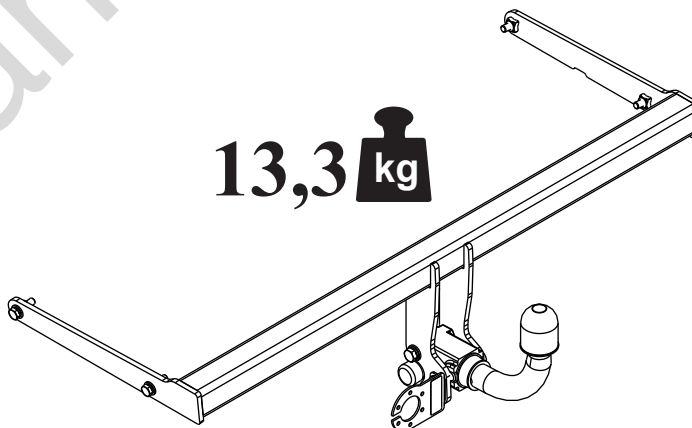
S=80 kg



2h



13,3 kg



M6 - 11 Nm  
M10 - 50 Nm  
M14 - 138 Nm

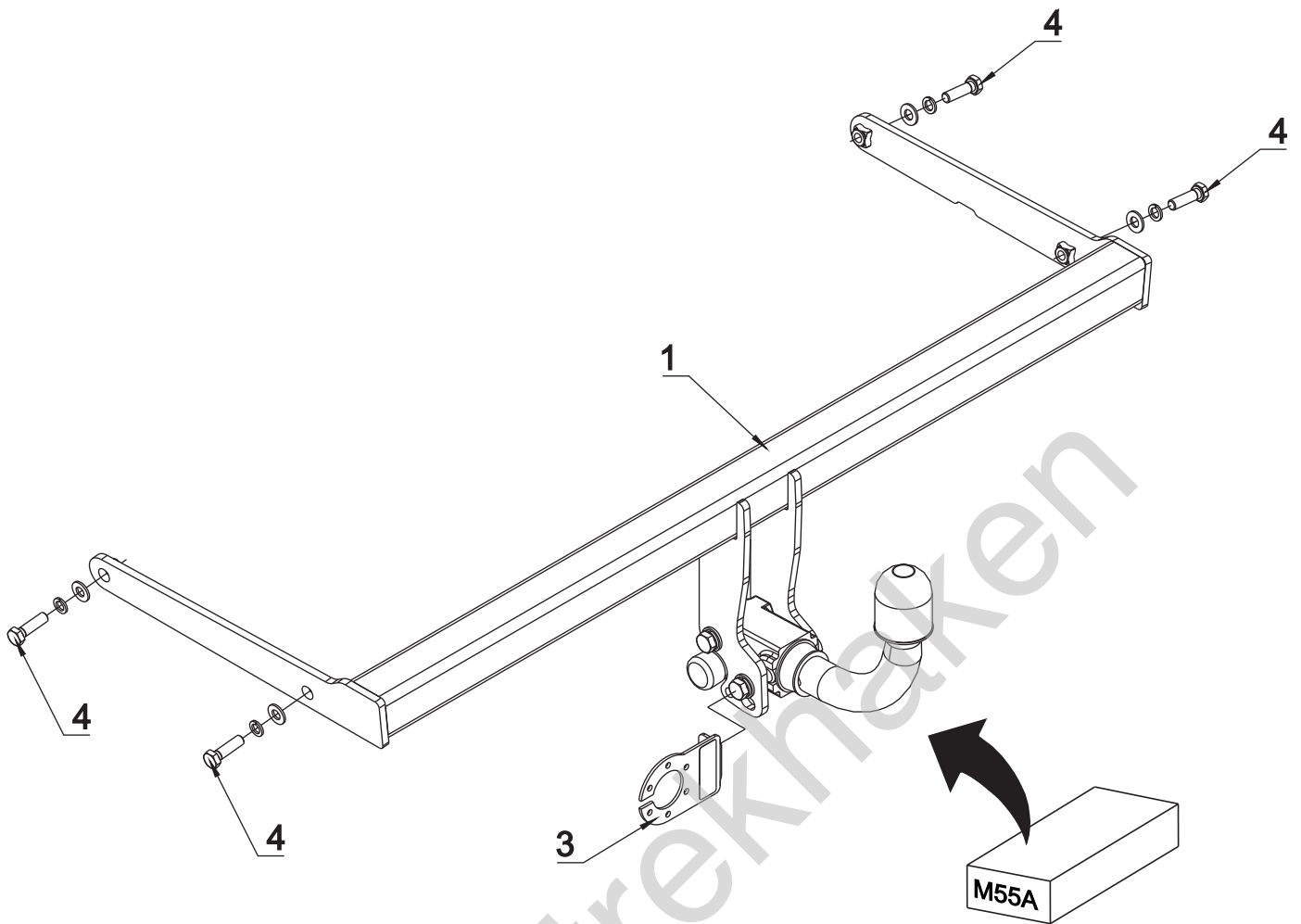
M8 - 25 Nm  
M12 - 87 Nm  
M16 - 210 Nm

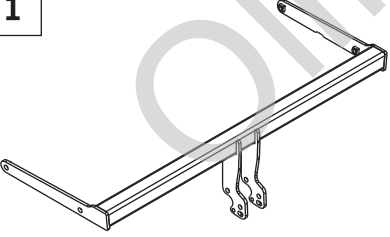
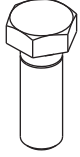
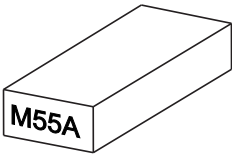

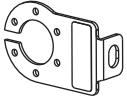



0 km →



1000 km



1		x1		4 M10x35	x4
2	 <p data-bbox="483 1933 722 1966">Art.nr-KL1M55A</p>	x1		5 $\varnothing$ 10.5	x4
3	 <p data-bbox="483 2045 722 2078">Art.nr-BL1M55A</p>	x1		6 $\varnothing$ 10.2	x4

