

# PPUH AUTO-HAK Sp.J.

Henryk & Zbigniew Nejman  
ul. Słoneczna 16K 76-200 SŁUPSK  
POLAND


tel/fax +48 059 8-414-414; 8-414-413

e-mail: [office@autohak.com.pl](mailto:office@autohak.com.pl)

[www.autohak.com.pl](http://www.autohak.com.pl)



# AUTO-HAK

 **MAZDA 3**  
4D, (Bk12), ~~MPS 2.3L 191KW~~

Cat. no:

**M52A**



10.2003 → 03.2009

e20

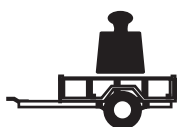
e20\*94/20\*0426\*00



1h

D

8,7 kN



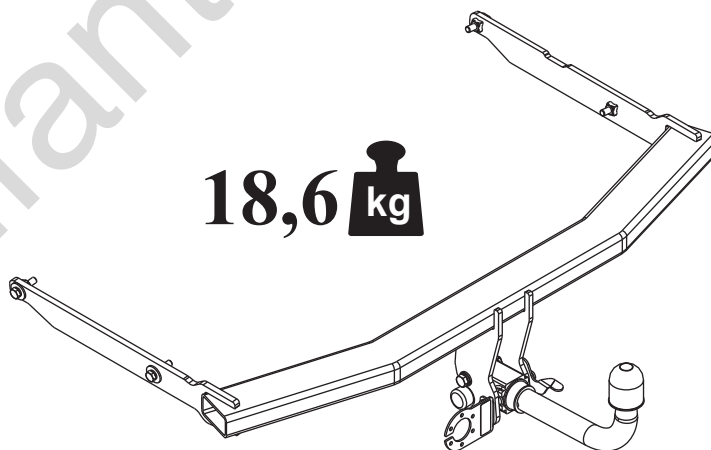
R=1500 kg



S=75 kg



18,6 kg



M6 - 11 Nm  
M10 - 50 Nm  
M14 - 138 Nm

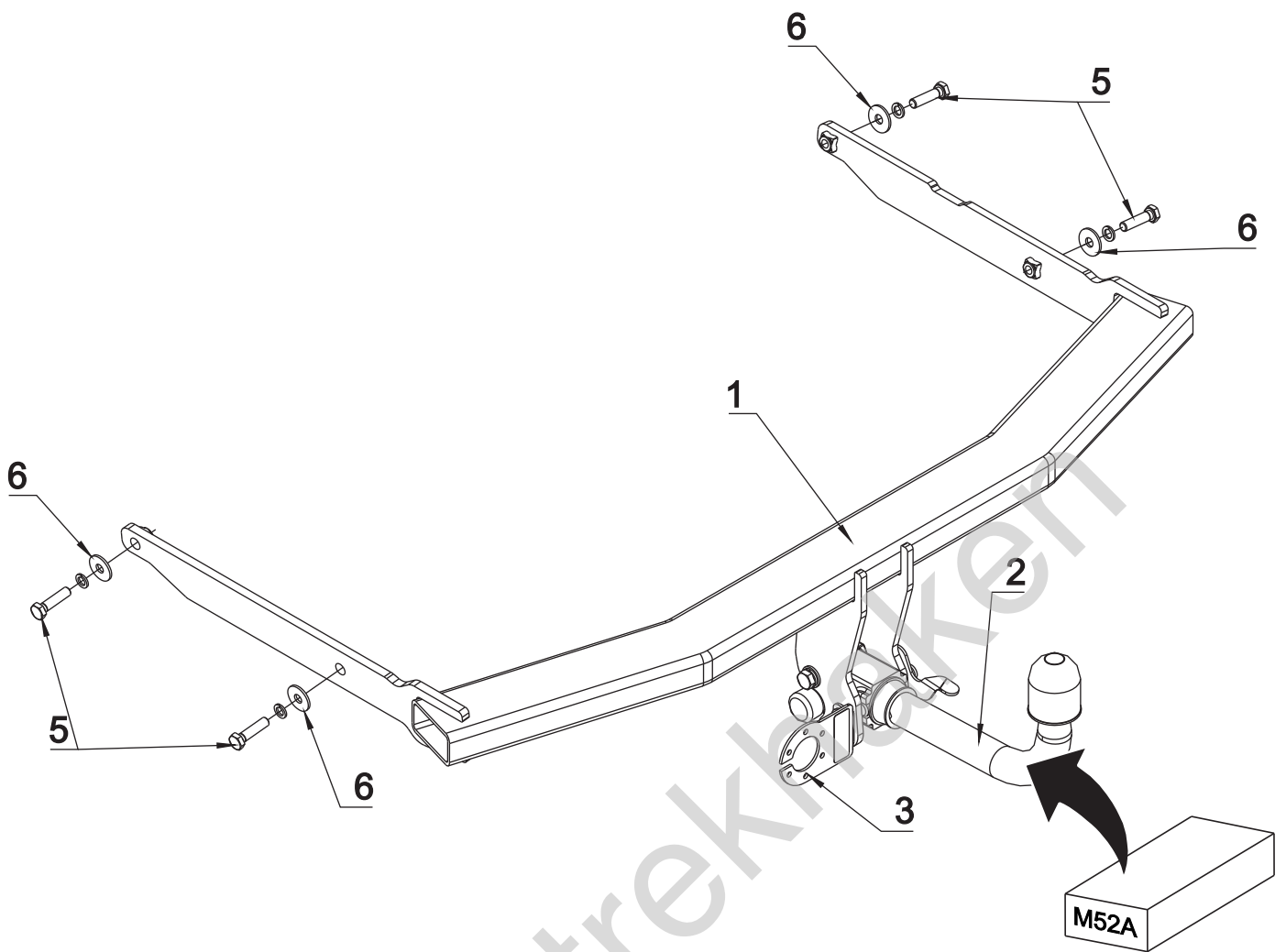
M8 - 25 Nm  
M12 - 87 Nm  
M16 - 210 Nm

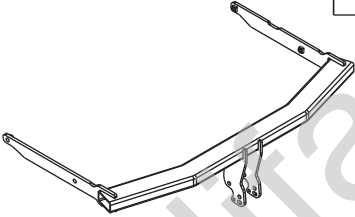
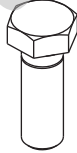
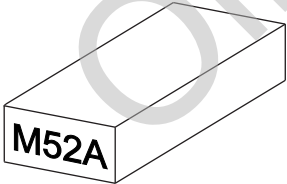

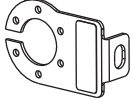

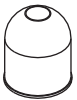


0 km →



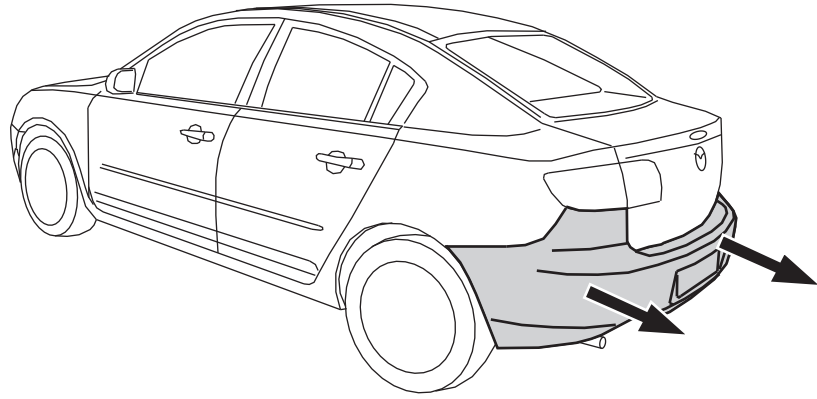
1000 km



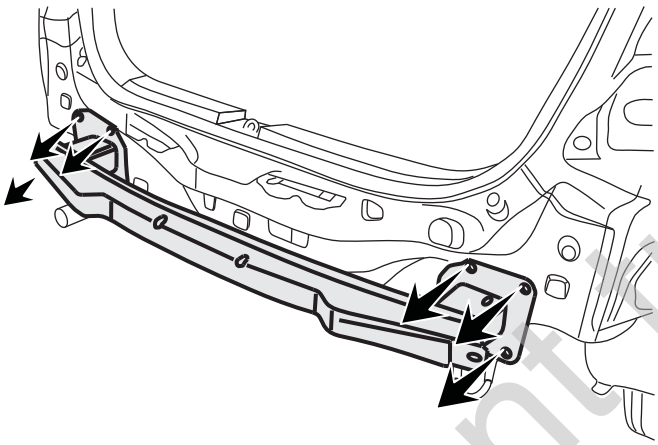
1		x1		5 M10x40	x4
2	 <p data-bbox="469 1693 667 1727">Art.nr-KL1M52A</p>	x1		6 $\varnothing$ 30x $\varnothing$ 10.5x2.5 10 – DIN 9021	x4
3	 <p data-bbox="469 1832 667 1865">Art.nr-BL1M52A</p>	x1		7 $\varnothing$ 10.2	x4
4		x1			



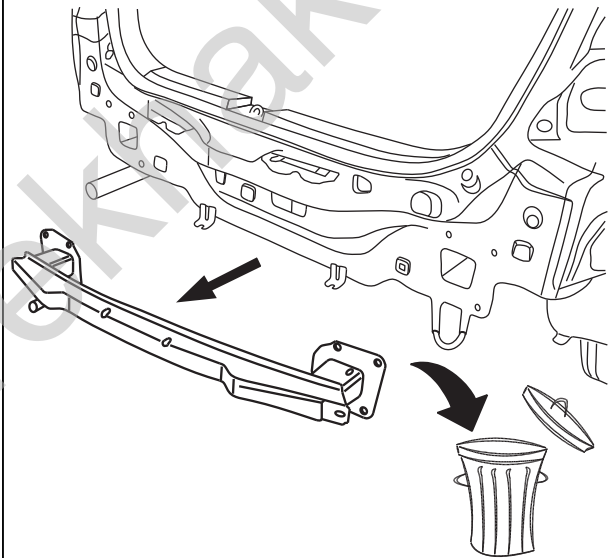
01



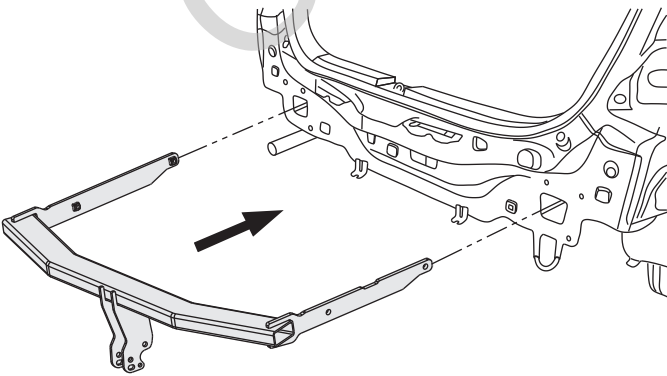
02



03



04



05

