

PPUH AUTO-HAK Sp.J.

Henryk & Zbigniew Nejman
ul. Słoneczna 16K 76-200 SŁUPSK
POLAND

tel/fax +48 059 8-414-414; 8-414-413

e-mail: office@autohak.com.pl

www.autohak.com.pl



AUTO-HAK



MAZDA seria 5
5D, VAN, (CR19)
~~wersja USA~~

Cat. no:

M51A



07.2005 → 01.2008



E20-55R-01 4219



2h

D

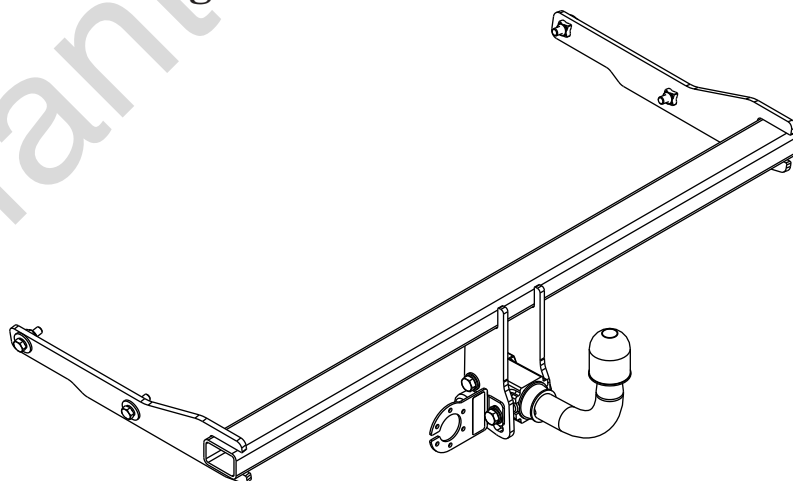
9,8 kN



R=1700 kg



S=75 kg



M6 - 11 Nm
M10 - 50 Nm
M14 - 138 Nm

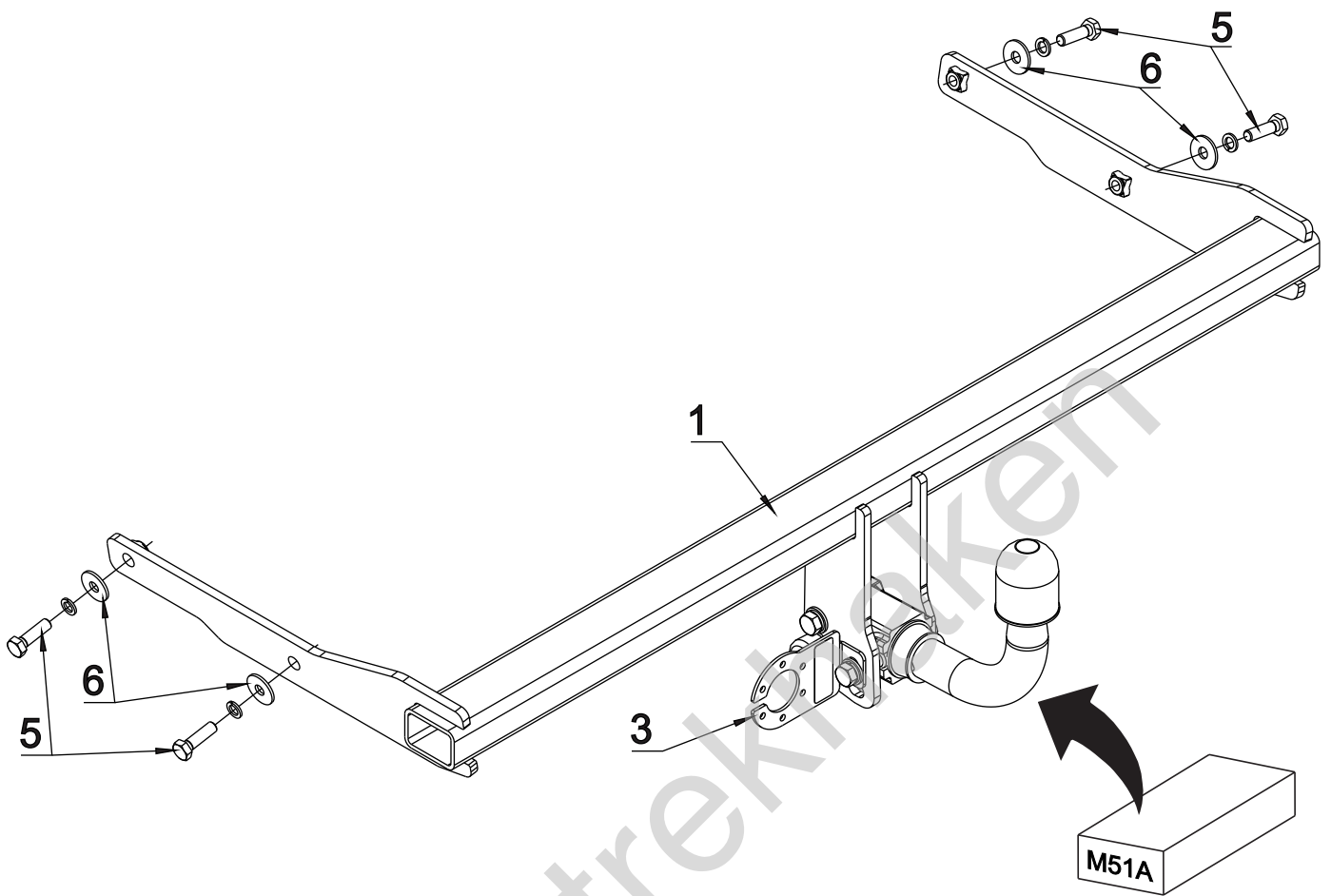
M8 - 25 Nm
M12 - 87 Nm
M16 - 210 Nm

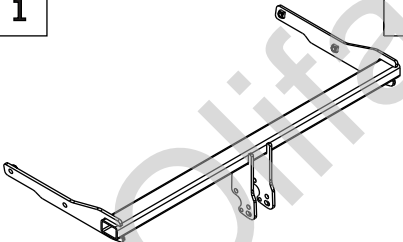



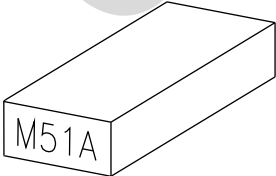




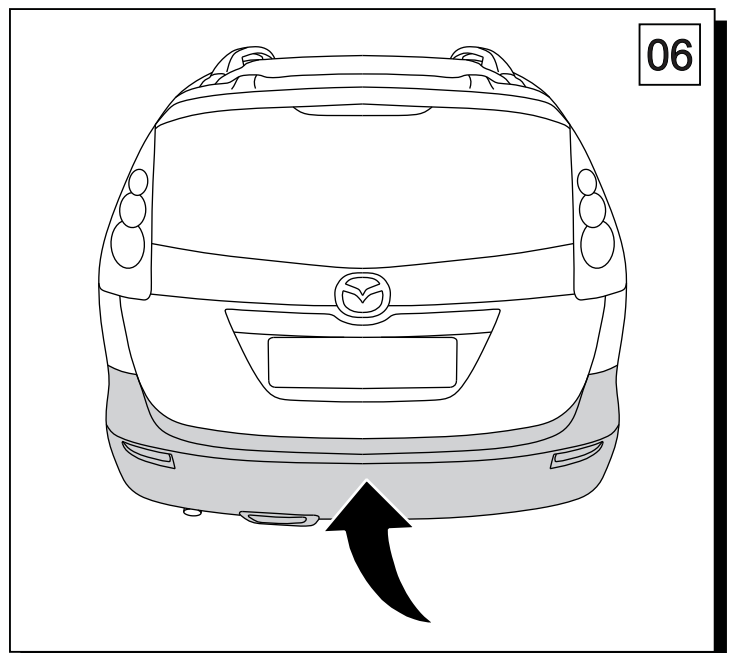
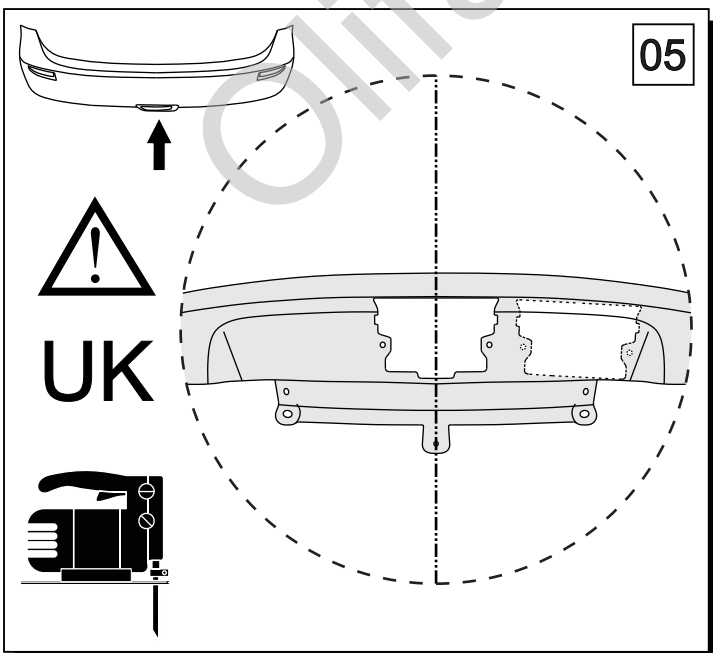
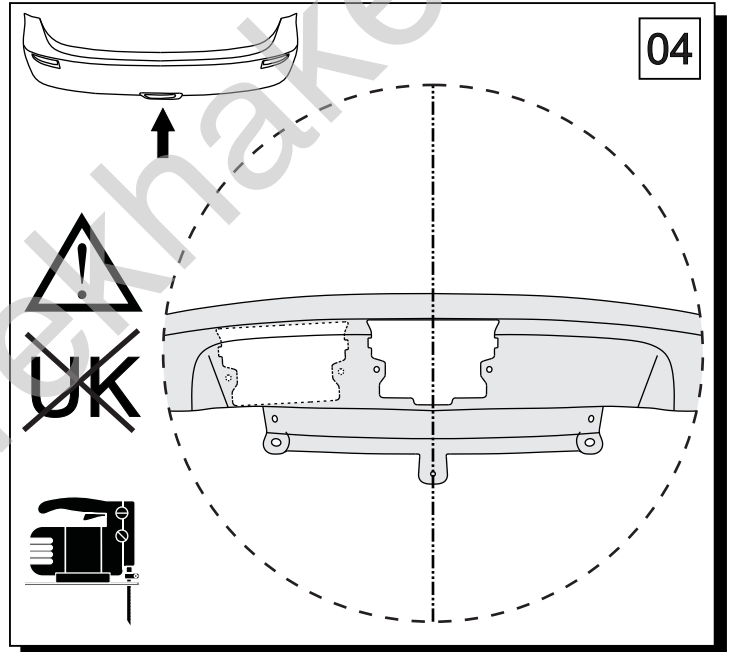
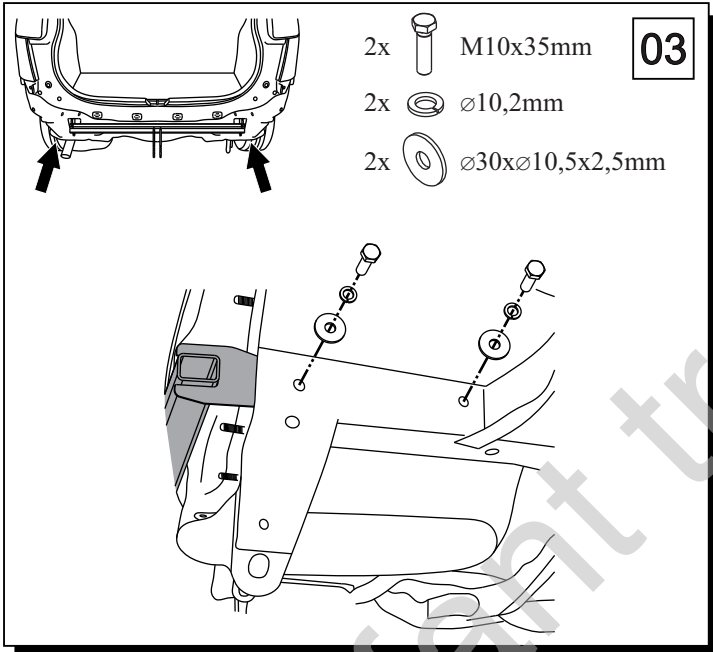
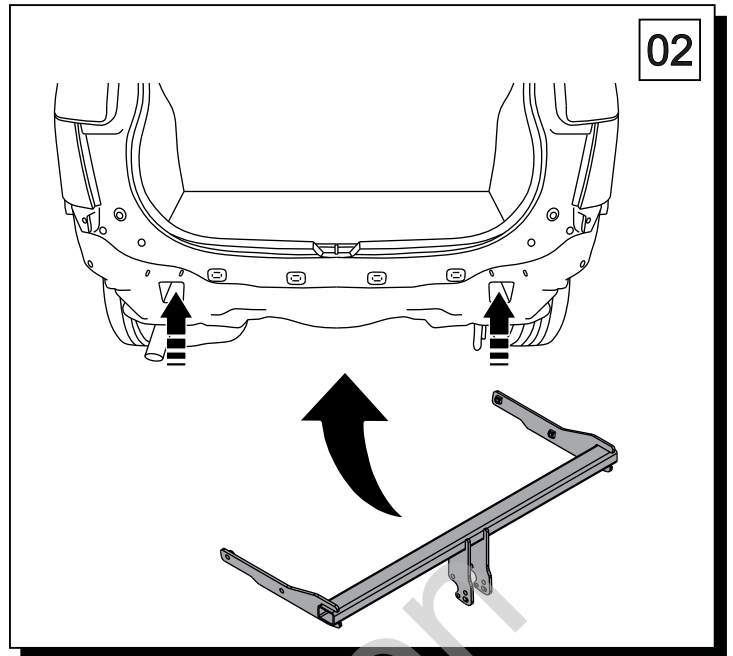
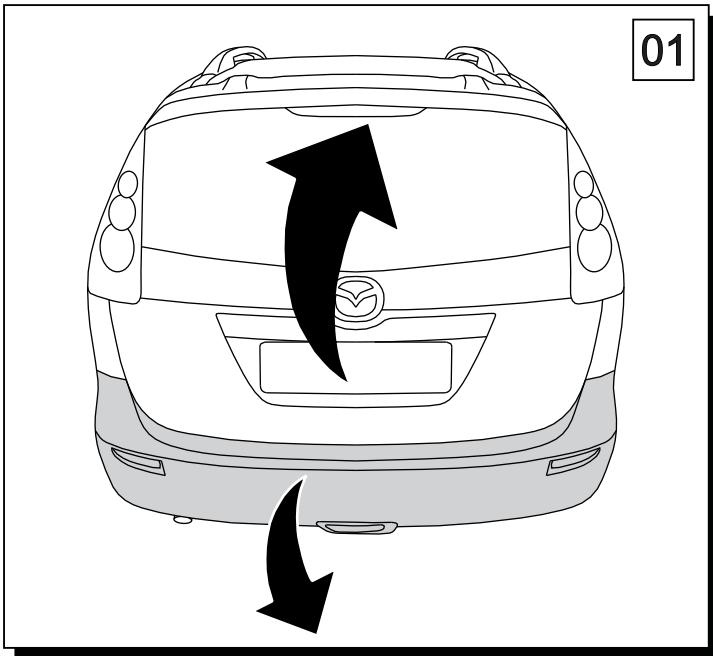
0 km →

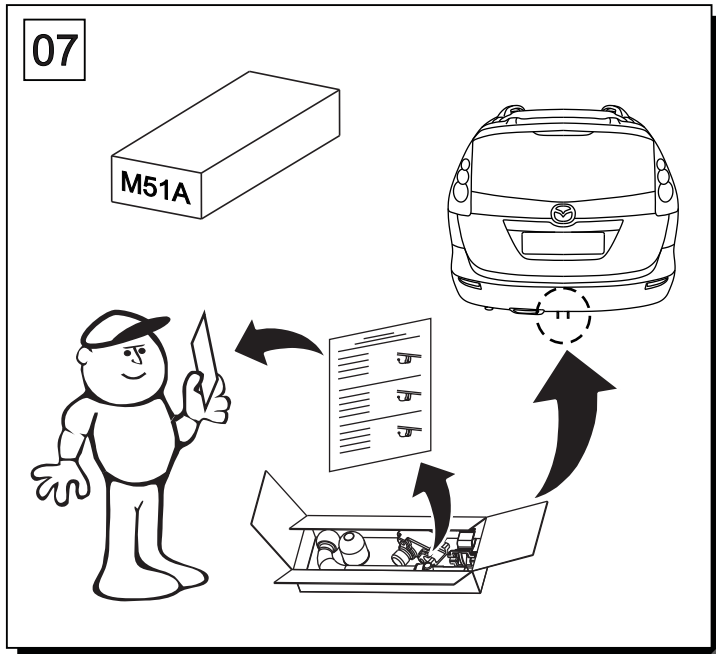



1000 km





1		x1		5 M10x35	x4
				6 \varnothing 30x \varnothing 10.5x2.5 10 (DIN 9021)	x4
				7 \varnothing 10.2	x4
2		x1			
	<p>Art.nr-KL1M51A</p>				
3		x1			
	<p>Art.nr-BL1M51A</p>				
4		x1			



M6	-	11 Nm	M8	-	25 Nm
M10	-	50 Nm	M12	-	87 Nm
M14	-	138 Nm	M16	-	210 Nm


0 km → 
1000 km