

# PPUH AUTO-HAK Sp.J.

Henryk i Zbigniew Nejman  
ul. Słoneczna 16K 76-200 SŁUPSK  
POLAND

tel/fax +48 59 8 414 414; +48 59 8 414 413

e-mail: [office@autohak.com.pl](mailto:office@autohak.com.pl)

[www.autohak.com.pl](http://www.autohak.com.pl)



# AUTO-HAK



**LAND ROVER  
RANGE ROVER EVOQUE**

Cat. no:

**LN04A**



**06.2011 →**



**E20-55R-01 4864**



**10,0 kN**



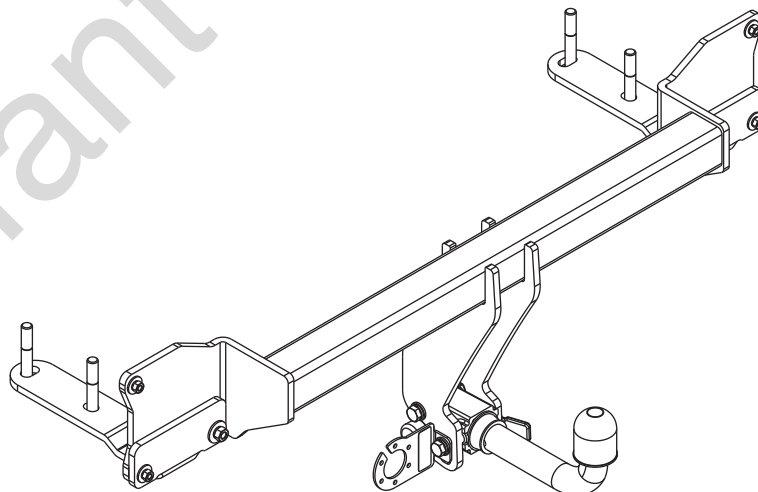
**R=1800 kg**



**S=150 kg**



**2h**



**M6 - 8,5 Nm  
M10 - 41 Nm  
M14 - 112 Nm**

**M8 - 20 Nm  
M12 - 70 Nm  
M16 - 170 Nm**



**0 km →**



**1000 km**



