

AUTO-HAK Sp. z o.o.

ul. Słoneczna 16K 76-200 SŁUPSK
POLAND

tel/fax +48 59 8 414 414; +48 59 8 414 413

e-mail: office@autohak.com.pl

www.autohak.com.pl



AUTO-HAK

VOLVO V90

Nr kat.

L31A



03.2016 →



E20*55R02*6720

D

12,55 kN



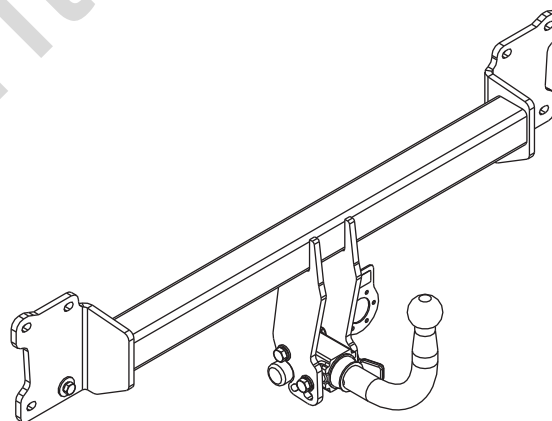
2h



R=2500 kg



S=140 kg



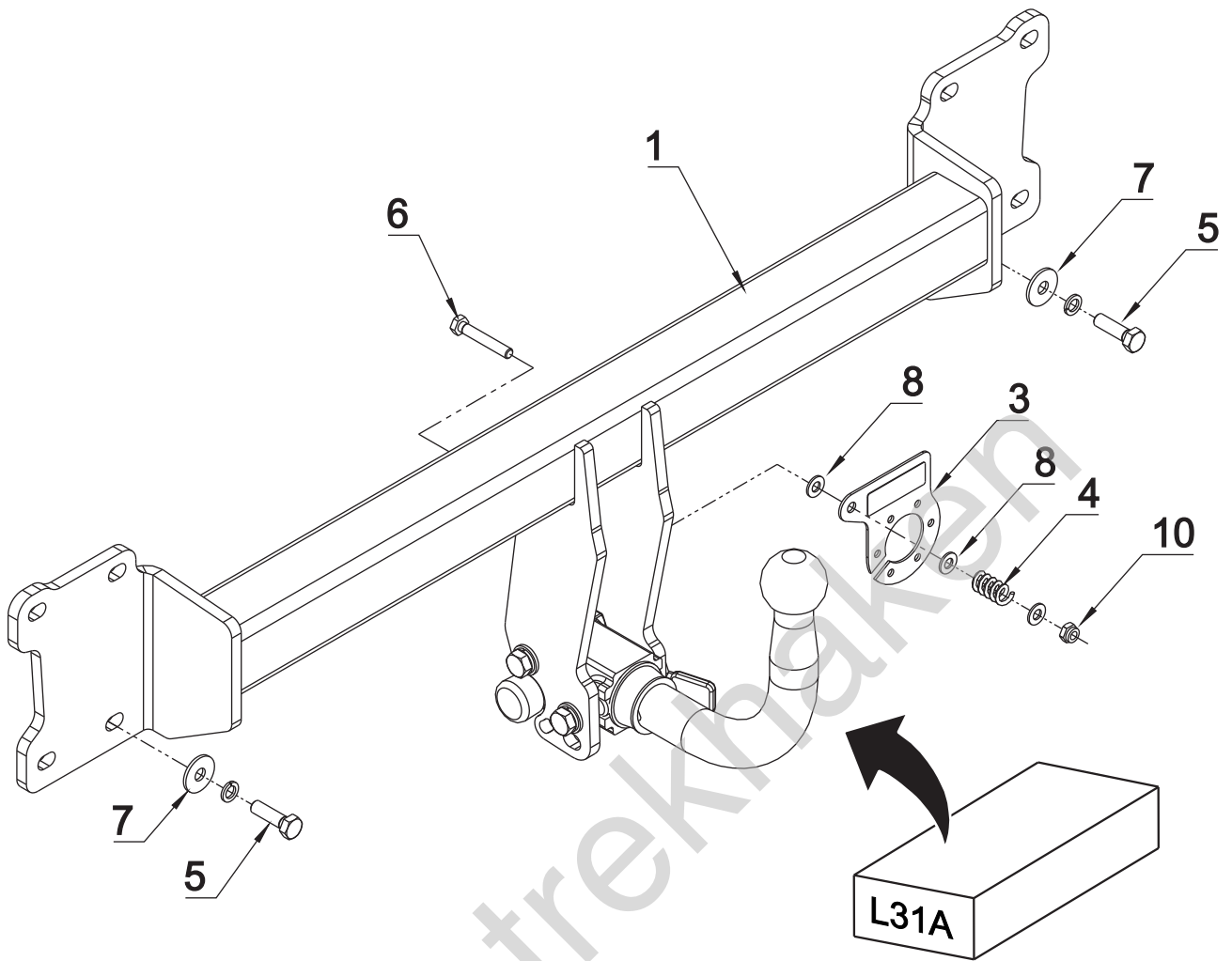
śruba	Nm	M6	M8	M10	M12	M14	M16
klasa 8.8		9,9	24	48	83	132	200
klasa 10.9		14	34	67	117	185	285

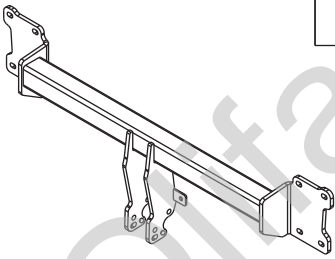

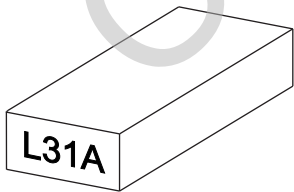


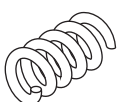


0 km →

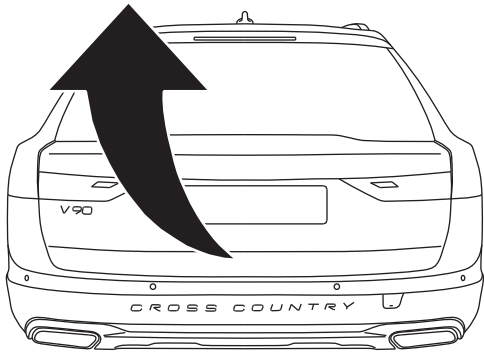


1000 km

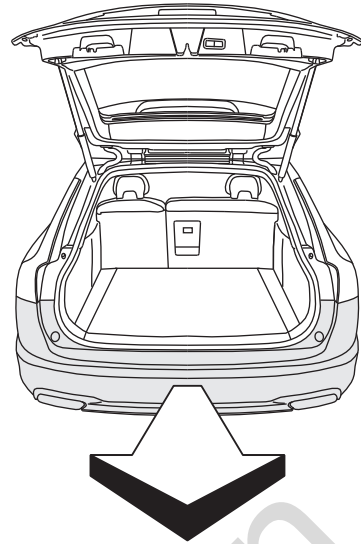


1 	x1		5 M10x35	x2
			6 M8x50	x1
			7 $\varnothing 30 \times \varnothing 10.5 \times 2.5$ 10 (DIN 9021)	x2
			8 $\varnothing 8.4$	x3
2 	x1		9 $\varnothing 10.2$	x2
			10 M8 (DIN985)	x1
3 		x1 Art.nr-BL12L31A		
4 		x1		

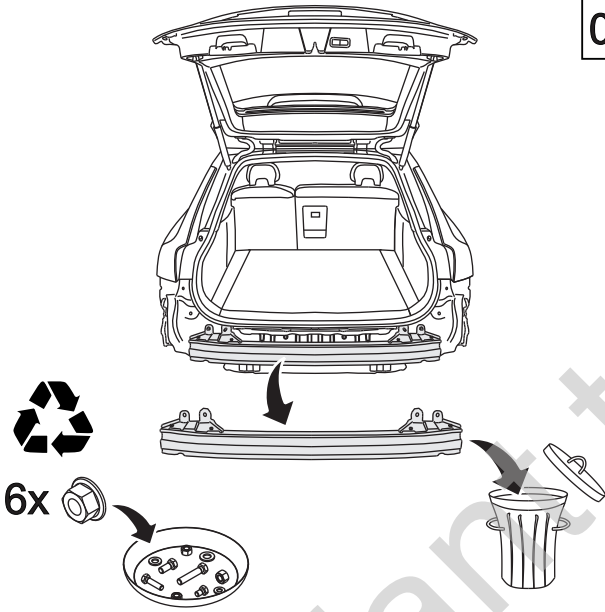
01



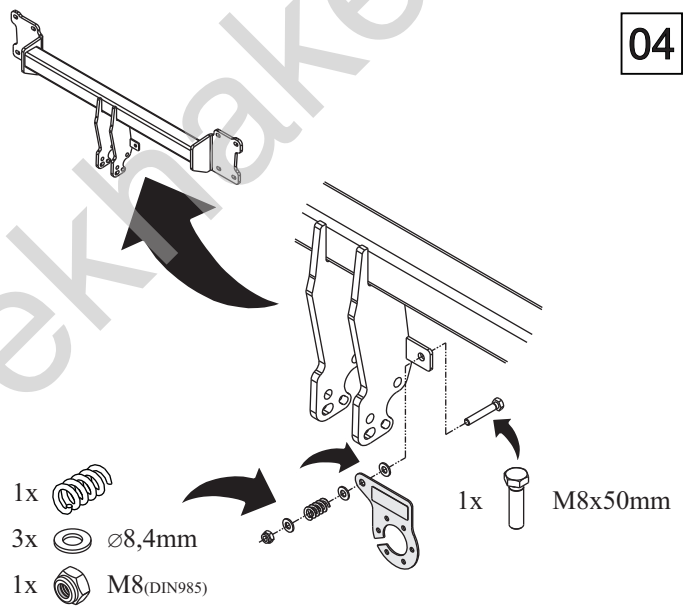
02



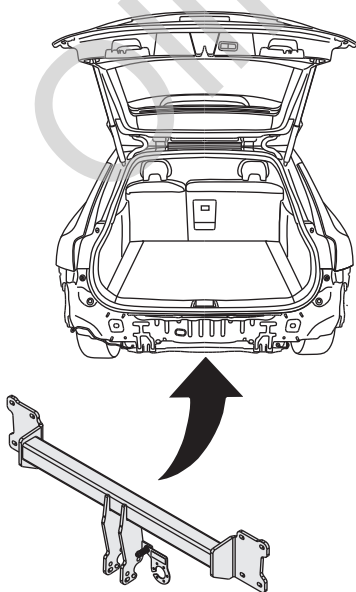
03



04



05



06

